

Service
Service
Service



Service Manual



© Copyright 2007 Philips Consumer Electronics B.V. Eindhoven, The Netherlands
All rights reserved. No part of this publication may be reproduced, stored in a retrieval system or transmitted, in any form or by any means, electronic, mechanical, photocopying, or otherwise without the prior permission of Philips.

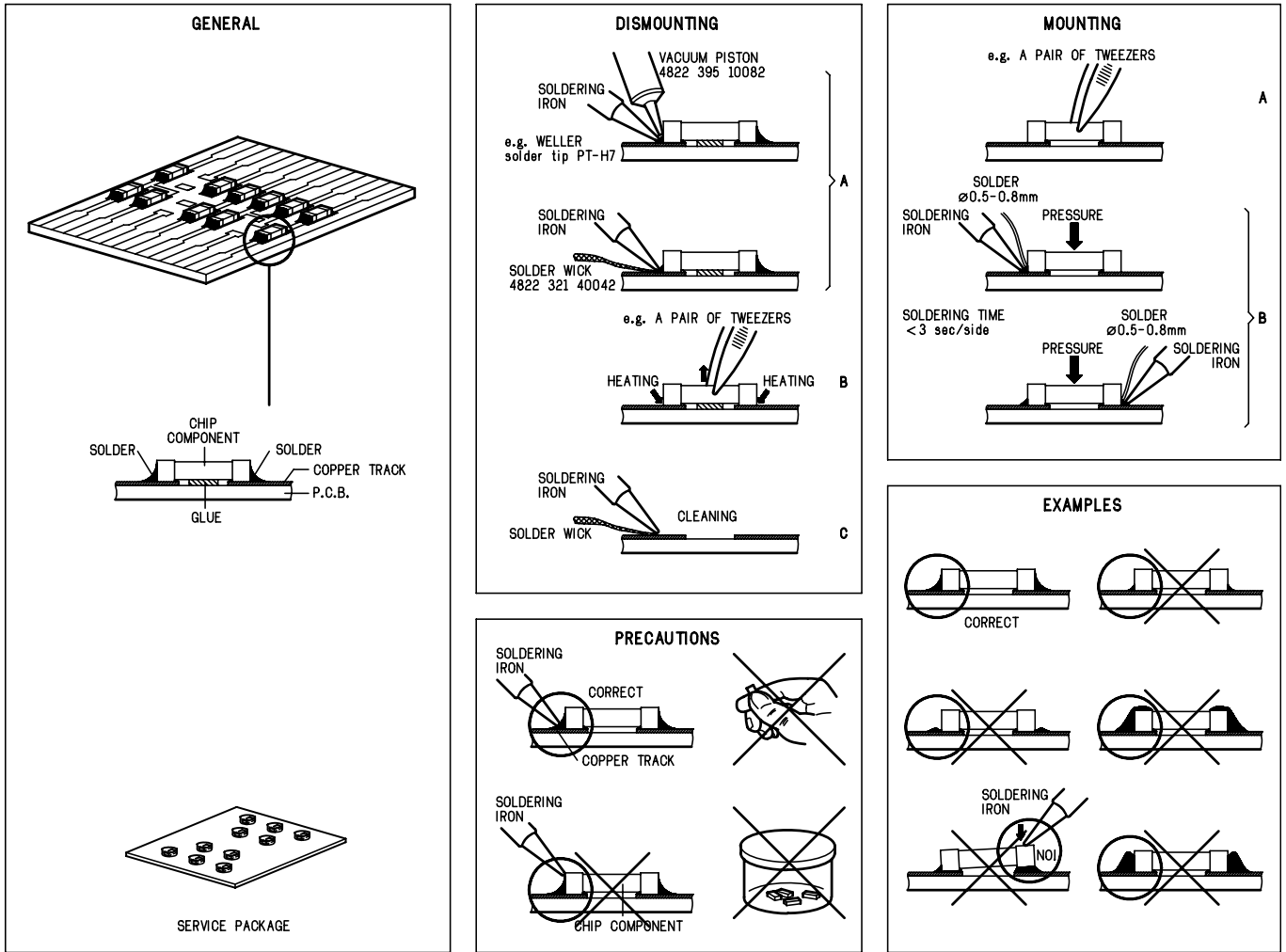
**CLASS 1
LASER PRODUCT**



TABLE OF CONTENTS

Handling chip components	1-1
Service tools	1-1
Leadfree and safety information	1-2
Technical specification	2-1
Connections and controls	3-1 ... 3-4
Disassembly Instructor	4-1 ... 4-5
Service test program	5-1 ... 5-2
Software upgrading procedure	5-3
CD database upgrading procedure	5-4
Set block diagram (waC7000)	6-1
Set block diagram (waS7000)	6-2
Set wiring diagram (waC7000)	7-1
Set wiring diagram (waS7000)	7-2
Keys & RC Board (waC7000)	
circuit diagram	8-1
layout diagram	8-2
Standby Key Board (waC7000)	8-3
Eject Key Board (waC7000)	8-3
AF Board (waC7000)	
circuit diagram	9-1 ... 9-3
layout diagram	9-4 ... 9-5
AMP Socket Board (waC7000)	9-6
AMP Board (waC7000)	
circuit diagram	10-1 ... 10-2
layout diagram	10-3 ... 10-4
Slot CD Loader Control Board (waC7000)	
circuit diagram	11-1
layout diagram	11-2
Interface HDD to Melody Board (waC7000)	
circuit diagram	11-1
layout diagram	11-2
Interface HDD-supply Board (waC7000)	
circuit diagram	12-1
layout diagram	12-2
Interface Ethernet (waS7000)	13-1
Interface IPOD (waS7000)	13-2
Keys & RC Board (waS7000)	
circuit diagram	14-1
layout diagram	14-2 ... 14-3
AF Board (waS7000)	
circuit diagram	15-1 ... 15-4
layout diagram	15-5 ... 15-6
HAS Module	16-1
circuit diagram	16-2 ... 16-11
layout diagram	16-12 ... 16-13
Exploded view diagram (waC7000)	17-1
Exploded view diagram (waS7000)	17-2
Mechanical & Electrical Partslist	17-3 ... 17-4

HANDLING CHIP COMPONENTS



SERVICE TOOLS

- TORX T10 screwdriver with shaftlength 150mm.....4822 395 50423
- TORX screwdriver set SBC 163.....4822 295 50145

- Audio signal disc SBC 429.....4822 397 30184
- Playability test disc SBC 444.....4822 397 30245
- Test disc 5 (disc without errors) +
- Test disc 5A (disc with dropout errors, black spots and fingerprints)
- SBC 426/426A.....4822 397 30096
- Burn in test disc (65 min. 1kHz signal at -30 dB level without "pause").....4822 397 30155

AVAILABLE ESD PROTECTION EQUIPMENT

- anti-static table mat large 1200x650x1.25mm 4822 466 10953
- small 600x650x1.25mm 4822 466 10958
- anti-static wristband 4822 395 10223
- connection box (3 press stud connections, 1MΩ) 4822 320 11307
- extendible cable (2m, 2MΩ, to connect wristband to connection box) 4822 320 11305
- connecting cable (3m, 2MΩ, to connect table mat to connection box) 4822 320 11306
- earth cable (1MΩ, to connect any product to mat or to connection box) 4822 320 11308
- KIT ESD3 (combining all 6 prior products - small table mat) 4822 310 10671
- wristband tester 4822 344 13999

INFORMATION ABOUT LEAD-FREE SOLDERING

Philips CE is producing lead-free sets from 1.1.2005 onwards.

IDENTIFICATION:

Regardless of special logo (not always indicated) one must treat all sets from 1 Jan 2005 onwards, according next rules:



Example S/N:



Bottom line of typeplate gives a 14-digit S/N. Digit 5&6 is the year, digit 7&8 is the week number, so in this case 2005 wk12

So from 0501 onwards = from 1 Jan 2005 onwards

Important note: In fact also products of year 2004 must be treated in this way as long as you avoid mixing solder-alloys (leaded/ lead-free). So best to always use SAC305 and the higher temperatures belong to this.

Due to lead-free technology some rules have to be respected by the workshop during a repair:

- Use only lead-free solder alloy Philips SAC305 with order code 0622 149 00106. If lead-free solder-paste is required, please contact the manufacturer of your solder-equipment. In general use of solder-paste within workshops should be avoided because paste is not easy to store and to handle.
- Use only adequate solder tools applicable for lead-free solder alloy. The solder tool must be able
 - To reach at least a solder-temperature of 400°C,
 - To stabilize the adjusted temperature at the solder-tip
 - To exchange solder-tips for different applications.
- Adjust your solder tool so that a temperature around 360°C – 380°C is reached and stabilized at the solder joint. Heating-time of the solder-joint should not exceed ~ 4 sec. Avoid temperatures above 400°C otherwise wear-out of tips will rise drastically and flux-fluid will be destroyed. To avoid wear-out of tips switch off un-used equipment, or reduce heat.
- Mix of lead-free solder alloy / parts with leaded solder alloy / parts is possible but PHILIPS recommends strongly to avoid mixed solder alloy types (leaded and lead-free).
If one cannot avoid or does not know whether product is lead-free, clean carefully the solder-joint from old solder alloy and re-solder with new solder alloy (SAC305).
- Use only original spare-parts listed in the Service-Manuals. Not listed standard-material (commodities) has to be purchased at external companies.
- **Special information for BGA-ICs:**
 - always use the 12nc-recognizable soldering temperature profile of the specific BGA (for de-soldering always use the lead-free temperature profile, in case of doubt)
 - lead free BGA-ICs will be delivered in so-called 'dry-packaging' (sealed pack including a silica gel pack) to protect the IC against moisture. After opening, dependent of MSL-level seen on indicator-label in the bag, the BGA-IC possibly still has to be baked dry. (MSL=Moisture Sensitivity Level). This will be communicated via AYS-website.
 - Do not re-use BGAs at all.
- For sets produced before 1.1.2005 (except products of 2004), containing leaded solder-alloy and components, all needed spare-parts will be available till the end of the service-period. For repair of such sets nothing changes.
- On our website www.atyourservice.ce.Philips.com you find more information to:
 - BGA-de-/soldering (+ baking instructions)
 - Heating-profiles of BGAs and other ICs used in Philips-sets

You will find this and more technical information within the "magazine", chapter "workshop news".

For additional questions please contact your local repair-helpdesk.

SERVICE INSTRUCTION

Safety regulations require that after a repair, the set must be returned in its original condition. Pay in particular attention to the following points:

- Route the wire trees correctly and fix them with the mounted cable clamps.
- Check the insulation of the AC Power lead for external damage.
- Check the strain relief of the AC Power cord for proper function.
- Check the electrical DC resistance between the AC Power Plug and the secondary side (only for sets which have a AC Power isolated power supply):
 1. Unplug the AC Power cord and connect a wire between the two pins of the AC Power plug.
 2. Set the AC Power switch to the "on" position (keep the AC Power cord unplugged!).
 3. Measure the resistance value between the pins of the AC Power plug and the metal shielding of the tuner or the aerial connection on the set. The reading should be larger than 4.5 Mohm (For U.S. it should be between 4.2 Mohm and 12 Mohm).
 4. Switch "off" the set, and remove the wire between the two pins of the AC Power plug.
- Check the cabinet for defects, to avoid touching of any inner parts by the customer.

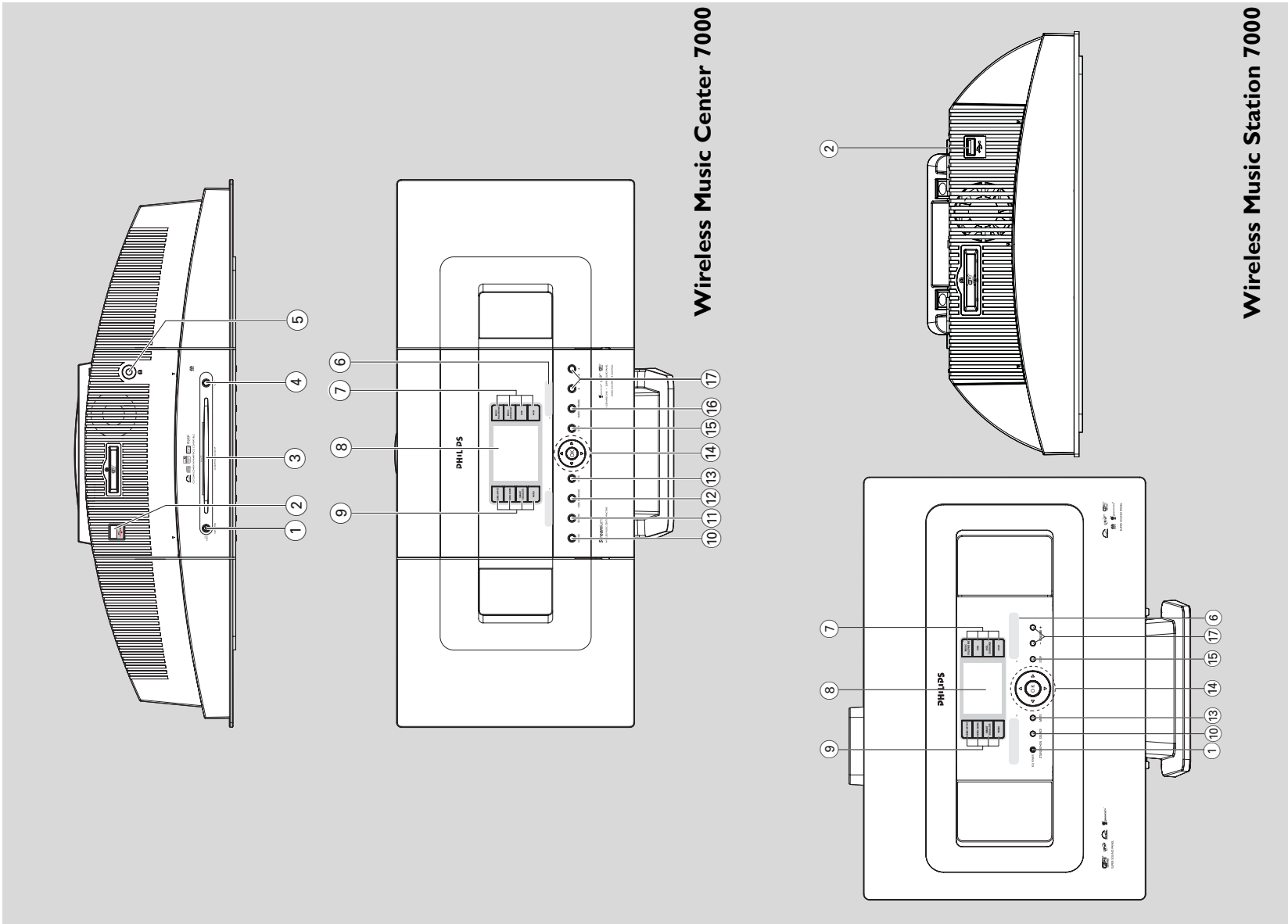
TECHNICAL SPECIFICATION

Mains voltage	/37 : ~120V /05/12/79 : ~230V /55/97 : ~240V/120V (with voltage selection)														
Mains frequency	/37 : 60Hz /05/12/79 : 50Hz /55/97 : 50Hz/60Hz														
Battery	Center remote : 4 x AA Station remote : 2 x AA														
Power consumption	<table> <tbody> <tr> <td>waS7000</td> <td>waC7000</td> </tr> <tr> <td>Maximum : 25W</td> <td>Maximum : 55W</td> </tr> <tr> <td>Active standby : ≤14W</td> <td>Active standby : ≤17W</td> </tr> <tr> <td>Eco-standby : ≤1W</td> <td>Eco-standby : ≤1W</td> </tr> </tbody> </table>	waS7000	waC7000	Maximum : 25W	Maximum : 55W	Active standby : ≤14W	Active standby : ≤17W	Eco-standby : ≤1W	Eco-standby : ≤1W						
waS7000	waC7000														
Maximum : 25W	Maximum : 55W														
Active standby : ≤14W	Active standby : ≤17W														
Eco-standby : ≤1W	Eco-standby : ≤1W														
Dimension (W x H x D)	<table> <tbody> <tr> <td>waC7000 : 608x303x175mm</td> </tr> <tr> <td>waS7000 : 360x283x128mm</td> </tr> </tbody> </table>	waC7000 : 608x303x175mm	waS7000 : 360x283x128mm												
waC7000 : 608x303x175mm															
waS7000 : 360x283x128mm															
Weight	<table> <tbody> <tr> <td>waC7000 : 7.7 kg</td> </tr> <tr> <td>waS7000 : 4.2 kg</td> </tr> </tbody> </table>	waC7000 : 7.7 kg	waS7000 : 4.2 kg												
waC7000 : 7.7 kg															
waS7000 : 4.2 kg															
Amplifier															
Out power (RMS)	<table> <tbody> <tr> <td>waC7000 : 2 x 15 + 2 x 25W</td> </tr> <tr> <td>waS7000 : 2 x 6 + 1 x 12W</td> </tr> </tbody> </table>	waC7000 : 2 x 15 + 2 x 25W	waS7000 : 2 x 6 + 1 x 12W												
waC7000 : 2 x 15 + 2 x 25W															
waS7000 : 2 x 6 + 1 x 12W															
Speaker impedance	<table> <tbody> <tr> <td>waC7000 : 16 Ω (panels)</td> </tr> <tr> <td>: 8 Ω (subwoofer)</td> </tr> <tr> <td>waS7000 : 16 Ω (panels)</td> </tr> <tr> <td>: 8 Ω (subwoofer)</td> </tr> </tbody> </table>	waC7000 : 16 Ω (panels)	: 8 Ω (subwoofer)	waS7000 : 16 Ω (panels)	: 8 Ω (subwoofer)										
waC7000 : 16 Ω (panels)															
: 8 Ω (subwoofer)															
waS7000 : 16 Ω (panels)															
: 8 Ω (subwoofer)															
Frequency response	: 50Hz-12KHz (±3dB)														
S/N	: ≤72dB(IEC)														
Aux input sensitivity	: 500mV														
Headphone impedance	: 21 – 150 Ω														
Wireless	<table> <tbody> <tr> <td>Wireless standard</td> <td>: 802.11g (backward compatible to 802.11b)</td> </tr> <tr> <td>Wireless security</td> <td>: WEP 64 or 128bit : WPA , AES-CCM</td> </tr> <tr> <td>Frequency range</td> <td>: 2142 – 2462 MHz (channel 1-11)</td> </tr> <tr> <td>Transmit range</td> <td>: >220m(mp3,320kbps) : >150m(pcm,1.6mbps)</td> </tr> </tbody> </table>	Wireless standard	: 802.11g (backward compatible to 802.11b)	Wireless security	: WEP 64 or 128bit : WPA , AES-CCM	Frequency range	: 2142 – 2462 MHz (channel 1-11)	Transmit range	: >220m(mp3,320kbps) : >150m(pcm,1.6mbps)						
Wireless standard	: 802.11g (backward compatible to 802.11b)														
Wireless security	: WEP 64 or 128bit : WPA , AES-CCM														
Frequency range	: 2142 – 2462 MHz (channel 1-11)														
Transmit range	: >220m(mp3,320kbps) : >150m(pcm,1.6mbps)														
Tuner-FM	<table> <tbody> <tr> <td>Tuning range</td> <td>: 87.5 – 108.0MHz</td> </tr> <tr> <td>IF frequency</td> <td>: 10.7MHz</td> </tr> <tr> <td>Sensitivity limit</td> <td>: 25dBf</td> </tr> <tr> <td>Image rejection</td> <td>: >25dB</td> </tr> <tr> <td>IF rejection</td> <td>: >60dB</td> </tr> <tr> <td>Number of preset</td> <td>: 60</td> </tr> <tr> <td>Antenna/cable</td> <td>: 75 Ω(coax or T-ant)</td> </tr> </tbody> </table>	Tuning range	: 87.5 – 108.0MHz	IF frequency	: 10.7MHz	Sensitivity limit	: 25dBf	Image rejection	: >25dB	IF rejection	: >60dB	Number of preset	: 60	Antenna/cable	: 75 Ω(coax or T-ant)
Tuning range	: 87.5 – 108.0MHz														
IF frequency	: 10.7MHz														
Sensitivity limit	: 25dBf														
Image rejection	: >25dB														
IF rejection	: >60dB														
Number of preset	: 60														
Antenna/cable	: 75 Ω(coax or T-ant)														
HDD/USB/CD player (for waC7000 only)	<table> <tbody> <tr> <td>MP3</td> <td>: all variable bit rate audio</td> </tr> <tr> <td>WMA</td> <td>: up to 160kbps bit rate</td> </tr> <tr> <td>HDD storage*</td> <td>: 80GB</td> </tr> </tbody> </table>	MP3	: all variable bit rate audio	WMA	: up to 160kbps bit rate	HDD storage*	: 80GB								
MP3	: all variable bit rate audio														
WMA	: up to 160kbps bit rate														
HDD storage*	: 80GB														

Actual free space is 75GB or less due to the buffer partition for MP3 Compression , firmware ,music CD database and demo tracks storing.

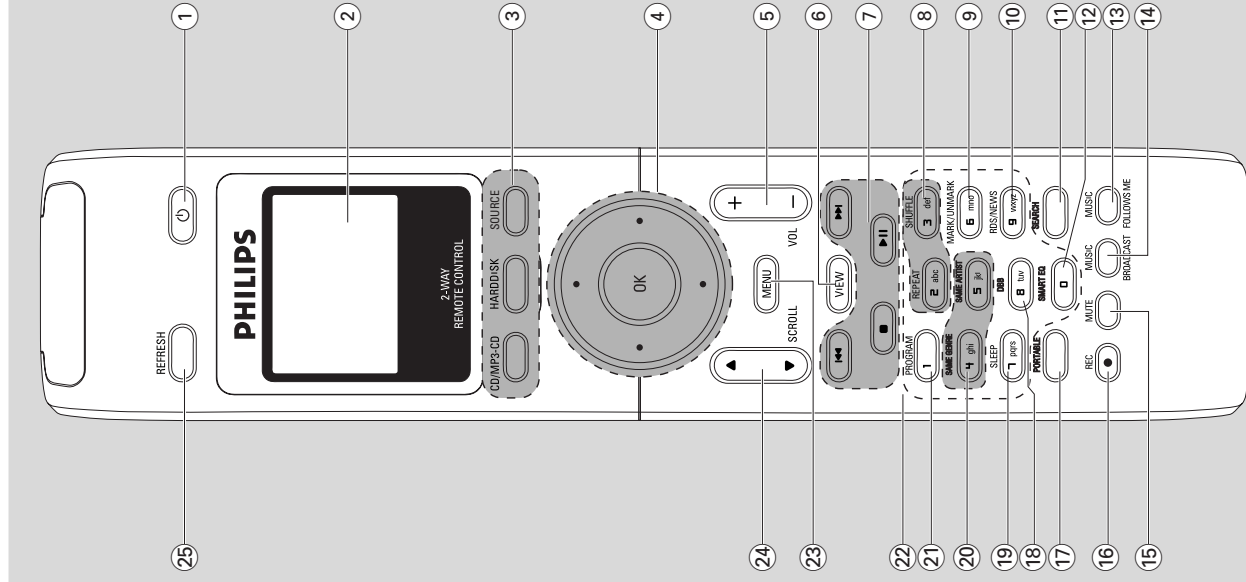
Controls

- VIEW**
toggles playback display and previous option list
- ⑧ **Display**
shows status of the set
- ⑨ **SAME ARTIST**
HD: plays all the tracks of current Artist
- **SAME GENRE**
HD: plays all the tracks of current Genre
- **SMART EQUALIZER**
HD: selects the matched sound setting for current Genre
- **MENU**
enters or exits setup menu
- ⑩ **SOURCE**
selects sound source HD (hard disk), CD, Radio, USB, UPnP or AUX
In **standby mode**: switches the set on and selects sound source HD, CD, Radio, USB, UPnP or AUX
- ⑪ **RECORD**
CD/Radio/AUX: starts the recording to hard disk
- ⑫ **INCR. SURROUND**
selects surround sound effect
- ⑬ **MUTE**
switches the sound off temporarily
- ⑭ **◀ / ▶ / ▲ / ▼**
navigation controls (left, right, up, down) to scroll through the option list
- **◀**
HD/CD: returns to previous option lists
Radio: enters the list of preset stations
- **▲ / ▼**
HD/CD: skips/searches tracks/passage backward/forward (in playback screen); fast scrolls the option list
Radio: tunes to radio stations
- **▶ / OK**
confirms selection
- **OK**
HD/CD: starts or pauses playback
-
- Controls on Center and Station (Top and front panels)**
- ① **STANDBY-ON/ ECO POWER**
press briefly to switch the set on or to standby mode;
press and hold to switch the set to power-saving mode or on
- **Green indicator**: lights up green when the set is on
- **Red indicator**: lights up red when the set is switched to standby mode or power-saving mode
- ② **USB**
jack for the external USB mass storage device
- ③ **CD slot loader**
- ④ **EJECT**
ejects a disc from the slot loader
- ⑤ **Headphones**
3.5 mm headphone socket
Helpful hints:
— Adjust the volume to a moderate level before you plug in the headphones.
— Connecting headphones will switch off the speakers.
- ⑥ **IR**
sensor for the infrared remote control
Helpful hints:
— Always point the remote control towards this sensor.
- ⑦ **MUSIC FOLLOWS ME**
HD: moves music playback from Center to Station, or from Station to Center
- **MUSIC BROADCAST**
HD: broadcast music from Center to Station
- **DBB (Dynamic Bass Boost)**
turns the bass enhancement on (DBB1, DBB2, DBB3) or off



Controls

- 15 **STOP**
— stops playback or recording
- 16 **MarkUNMark**
CD: selects or deselected tracks to be recorded on hard disk
- 17 **VOLUME +, -**
— adjusts the volume level



2-way remote control

Controls

- Remote control**
- 1 **Power**
— press briefly to switch the set on or to standby mode;
— press and hold to switch the set to power-saving mode or on
 - 2 **Synchro display**
— synchronous display of the set's status
 - 3 **CD/MP3-CD**
— selects CD source
— **In standby mode:** switches the set on and selects CD source.
 - 4 **HARDDISK (HD)**
— selects HD (hard disk) source
— **In standby mode:** switches the set on and selects HD source
 - 5 **SOURCE**
— selects Radio source, UPnP source, USB source or AUX from an additional connected appliance
— **In standby mode:** switches the set on and selects Radio source, USB source, UPnP source or the audio input from an additional connected appliance
 - 6 **Navigation**
— **Left/Right/Up/Down:** navigation controls (left, right, up, down) to scroll through the option list
 - 7 **HD/CD**
— returns to previous option lists
 - 8 **Radio**
— enters the list of preset stations
 - 9 **Text input**
— moves the cursor backward
 - 10 **HD/CD**
— skips/searches tracks/passage backward/passag backward/forward (in playback screen); fast scrolls the option list
 - 11 **Radio**
— tunes to radio stations
- 1 **► / OK**
— confirms selection
— **Text input:** confirms input and moves the cursor forward
 - 2 **OK**
— HD/CD: starts or pauses playback
 - 3 **VOL +, -**
— adjusts the volume level
 - 4 **VIEW**
— toggles playback screen and previous option list
 - 5 **◀◀ / ▶▶**
— skips/searches tracks/passage backward/forward (in playback screen)
 - 6 **◀◀**
— **Text input:** deletes the input before cursor
 - 7 **▶ / ||**
— starts or pauses playback
 - 8 **■**
— stops playback or recording
 - 9 **REPEAT**
— selects continuous playback
 - 10 **SHUFFLE**
— selects random playback
 - 11 **MARK/UNMARK (Center only)**
— CD: selects or deselected tracks to be recorded on hard disk
 - 12 **RDS/NEWS**
— Radio: selects RDS information
— HD/CD/UPnP/AUX: turns NEWS function on or off
 - 13 **SEARCH**
— searches by keywords
 - 14 **SMART EQ**
— HD: selects the matched sound setting for current Genre
 - 15 **MUSIC FOLLOWS ME**
— HD: moves music playback between Center and Station

1-way remote control

CONNECTION AND CONTROLS

Controls

- ⑭ **MUSIC BROADCAST (Center only)**
HD: broadcast music from Center to Station
- ⑮ **MUTE**
switches the sound off temporarily
- ⑯ **REC**
switch
CD/Radio/AUX: starts the recording to hard disk
- ⑰ **PORTABLE**
select the audio input from a connected hard disk player
- ⑱ **DBB (Dynamic Bass Boost)**
turns the bass enhancement on (DBB1, DBB2, DBB3) or off
- ⑲ **SLEEP**
adjusts/displays/switches off sleep timer
- ⑳ **SAME GENRE**
HD: plays all the tracks of current Genre
- ㉑ **SAME ARTIST**
HD: plays all the tracks of current Artist
- ㉒ **PROGRAM**
Radio: manually programs preset radio stations
- ㉓ **Alphanumeric keys**
for text input
- ㉔ **MENU**
enters or exits setup menu
- ㉕ **SCROLL ▲ / ▼**
scrolls the display screen upward or downward
- ㉖ **REFRESH**
synchronize remote control's display with the set's display
- ㉗ **INCR. SURR.**
selects surround sound effect
- ㉘ **DIM**
changes the brightness of display illumination

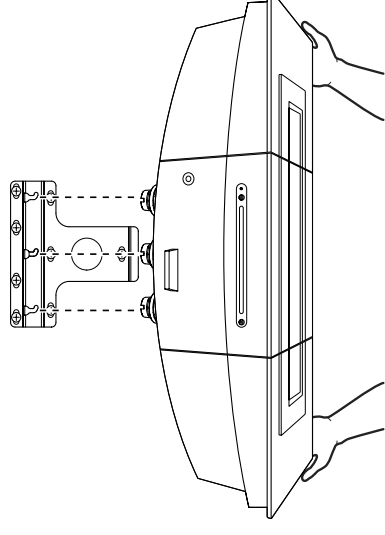
For more information on operation instruction please visit Philips

Audio internet site :

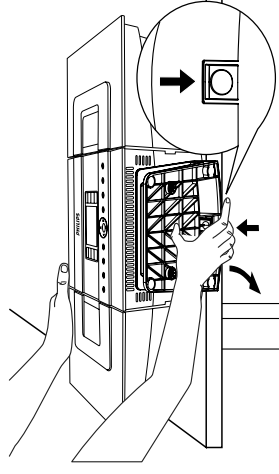
<http://www.audio.philips.com>

Appendix

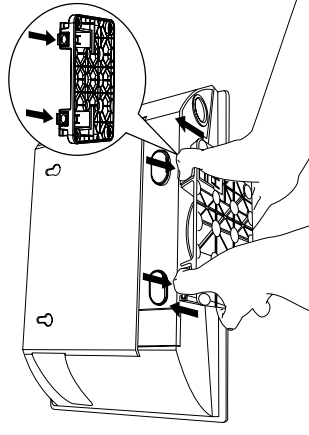
- 5** To detach the stand from Center or Station,
 a. As shown, hold down the **Lock•unlock** button(s).
 b. Move out the stand to detach.



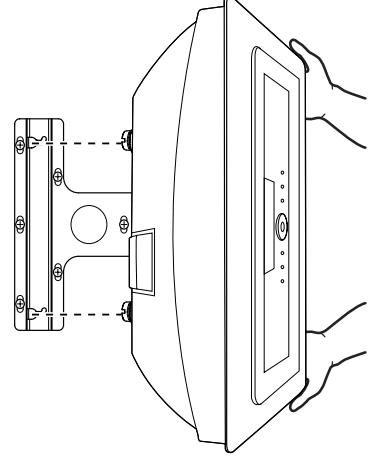
Center



Center

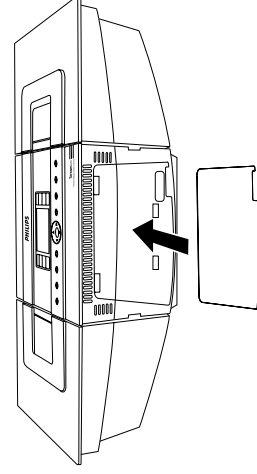


Station



Station

- 6** On Center, insert the supplied protective card sheet where the stand was installed.

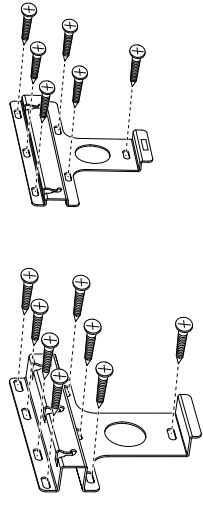
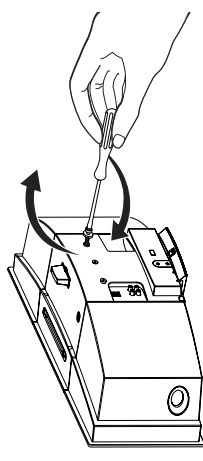


Appendix

Preparation

- To find a suitable location for mounting, try your necessary rear connections and the Wi-Fi connection between Center and Station (see the chapter **Installation**).
- Ask a qualified person to help you with the wall mounting, who should:
 - to avoid unexpected damage, learn about the piping, wiring and other relevant information inside your walls;
 - according to your walls' materials, decide what type of screws you need to fix the mounting brackets and hold the weight of a Center or Station;
- according to the drilling requirements, choose suitable drilling tools;
- take other precautions necessary for the wall mounting work.

Mounting your Center or Station

- Align the bracket (for Center or Station) in the chosen location on a wall. Use a pencil to mark the drilling positions.
 
- Drill holes as marked.
- Fix the brackets to the wall using suitable screws (not supplied).
- As shown, fasten the supplied screws to your Center or Station using a screwdriver.
 

Center

Station

Center

Station

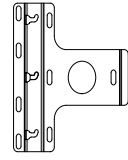
How to mount your Center and Station onto walls

IMPORTANT!

- The wall mounting instructions are for the use of the qualified wall mounting person only!
- Ask a qualified person to help you with the wall mounting, which includes drilling holes on the wall, fixing the mounting brackets to the wall, and mounting the sets onto the brackets.

What's in the supplied mounting kits

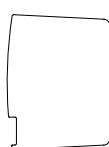
For Center:



1 x mounting bracket

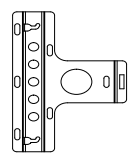


3 x screws (for Center mounting)



1 x protective card sheet

For Station:



1 x mounting bracket



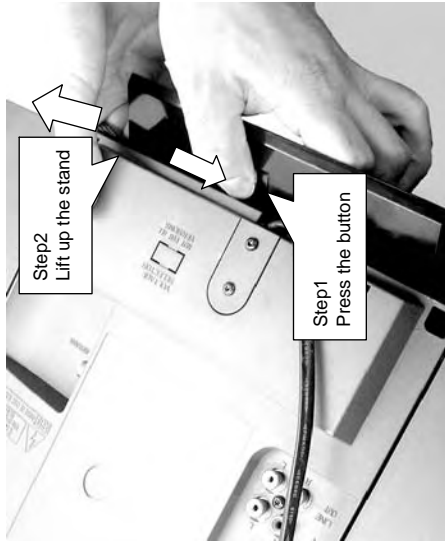
2 x screws (for Station mounting)

What else you'll need

- 8 x screws for fixing the Center's bracket
- 6 x screws for fixing the Station's bracket
- Drilling tools (e.g. electric drill)

DISASSEMBLY INSTRUCTION(waC7000)

1. Remove Stand



2. Remove Loudspeaker Box

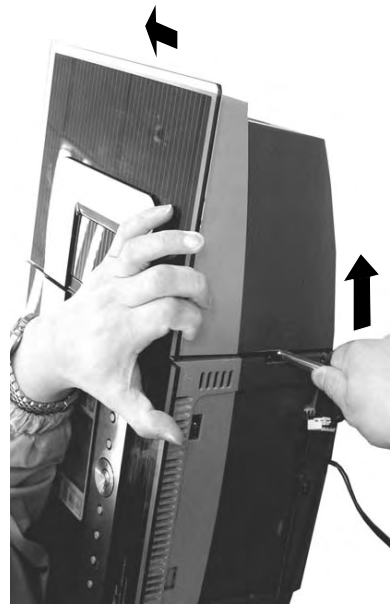
a. remove screws M2x8 - 2 pcs



b. pull out speaker cable connector



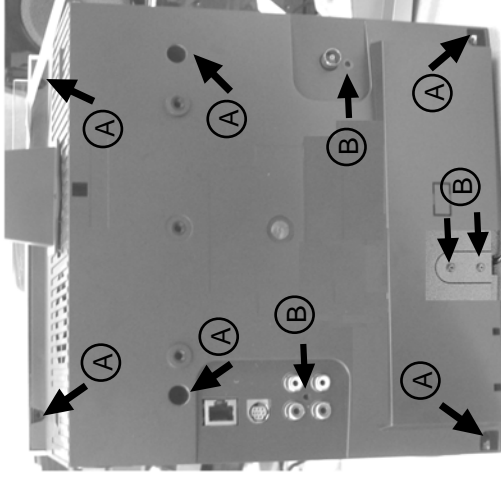
c. take out loudspeakers



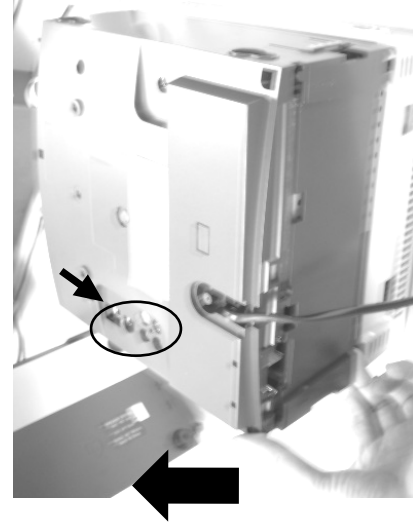
3. Separate Front and Back Cabinet.

a1. remove screws T3x20 - 6 pcs. (A)

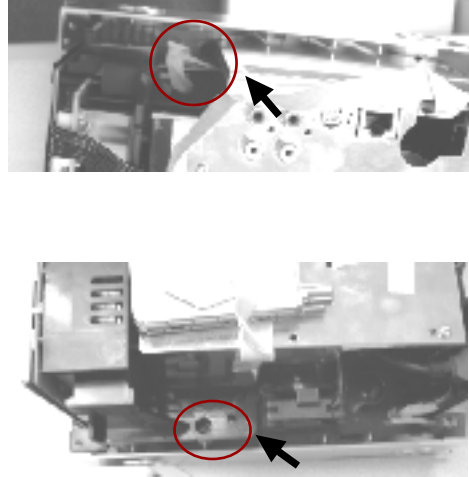
a2. remove screws T3x10 - 4 pcs. (B)



c. lift the back cabinet till the terminals sink.



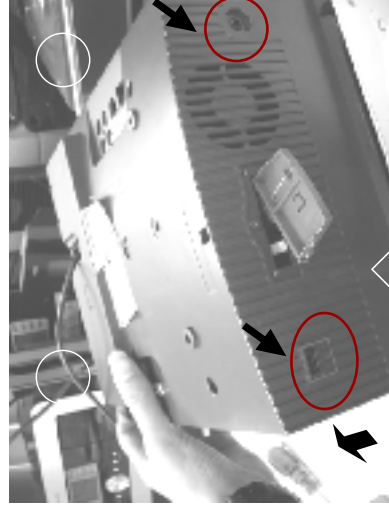
e. remove screws M3X12 - 2pcs.



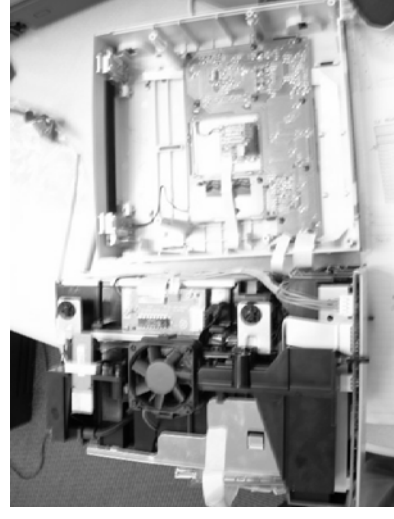
b. remove screw M2X10 - 1pcs and remove ant cover.



d. lift the back cabinet till the terminals sink.



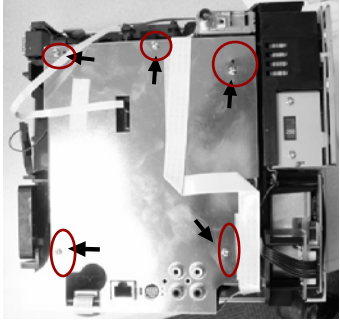
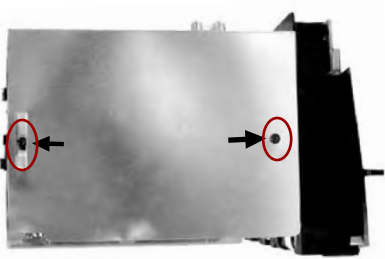
f. pull out Core Pre-assembly



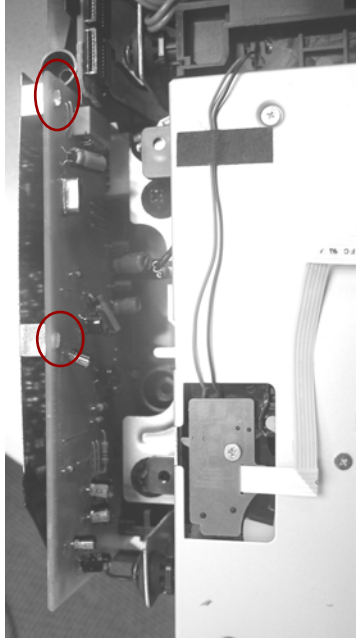
DISASSEMBLY INSTRUCTION(waC7000)

4. Remove Shield Sheet

a. remove screw T3x10 - 7 pcs.

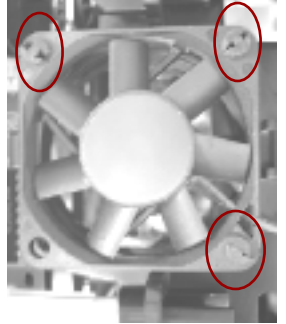


b. release 2 catches and pull out the shield sheet.



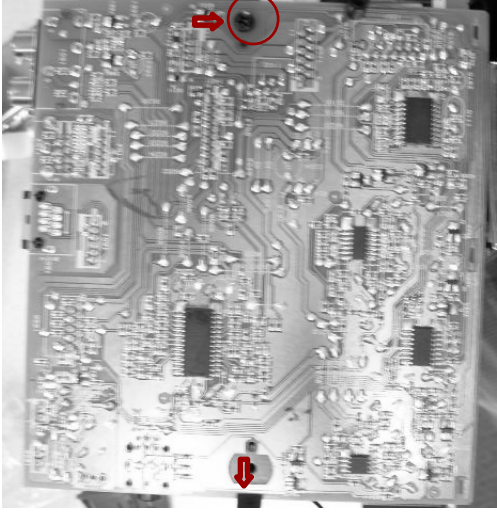
5. Remove cooling FAN

- crush rubbers - 3 pcs and pull out fan.



6. Remove PBAS - AF

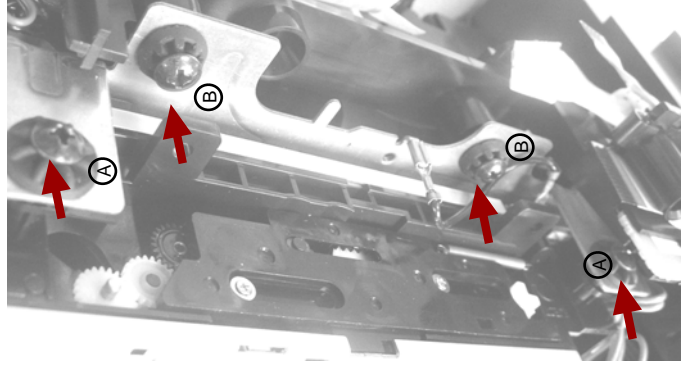
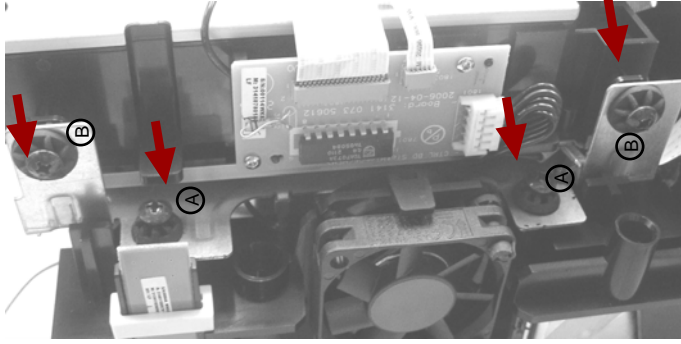
- remove screws T3x10 - 1 pcs and release hook - 1 pcs.



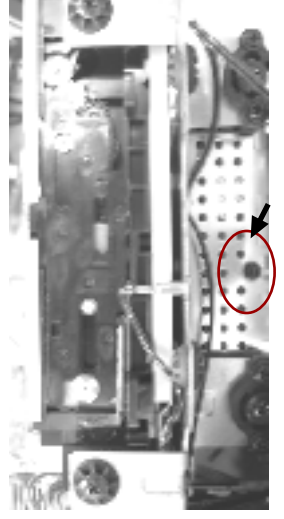
7. Remove Bracket CD/HDD

a. remove screws T3x10 - 4 pcs. (A)

b. remove screws T3x6 - 4 pcs. (B)



c. remove screws T4x6 - 1 pcs.

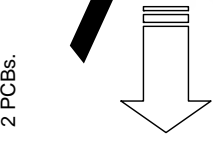


8. Remove Hard Disk

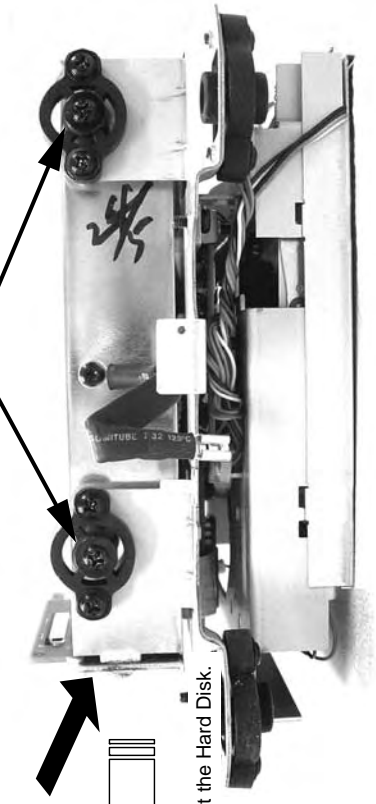
- remove screws (314107040061) - 4 pcs.

1. Remove 4 pcs screws

2. Melt away the solder and take away 2 PCBs.

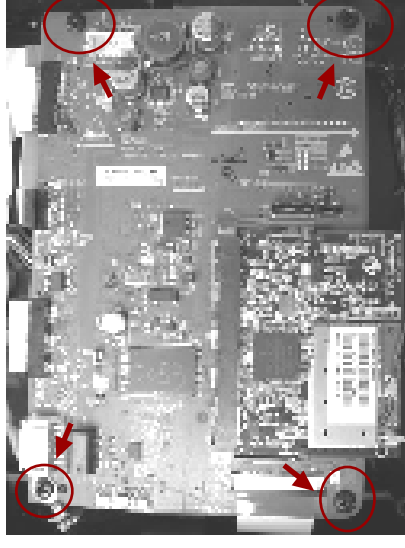


3. Pull out the Hard Disk.



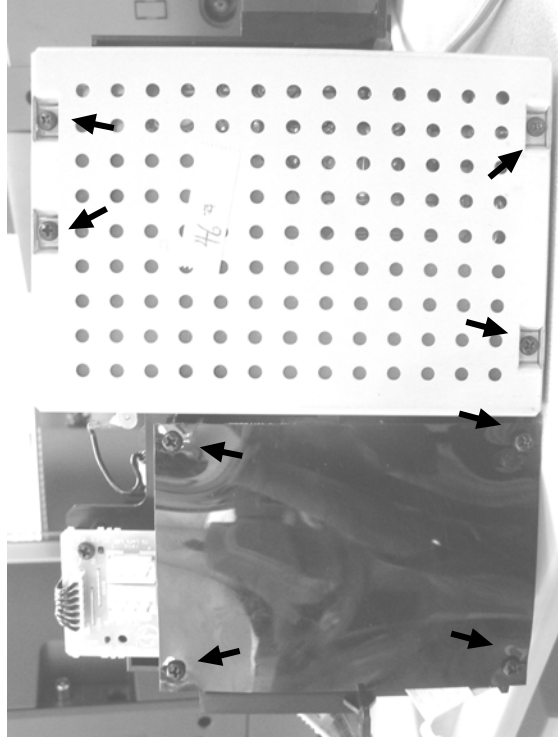
9. Remove HAS module

- remove screws T3x10 - 4 pcs.

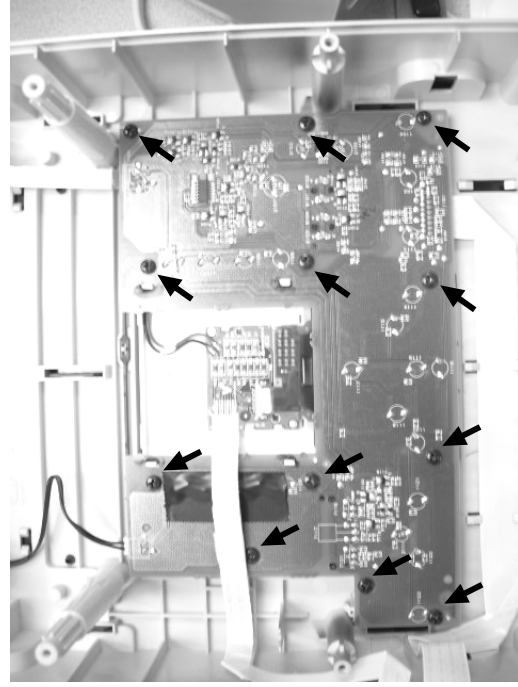


DISASSEMBLY INSTRUCTION(waC7000)

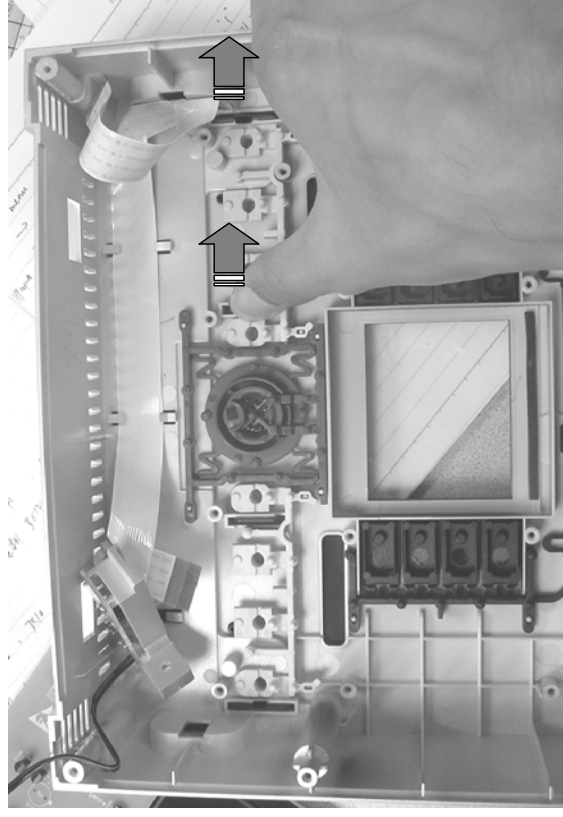
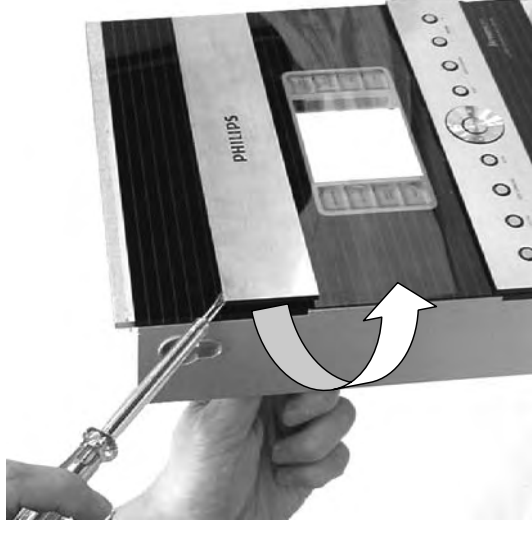
- 10. Remove AMP board and Supply module
- remove screws T3x12 - 8 pcs.



- 11. Remove PBAS Front
- remove screws T3x10 - 12 pcs.



- 13. Remove COVER FNT CEN BTM and COVER FNT CEN UPPER



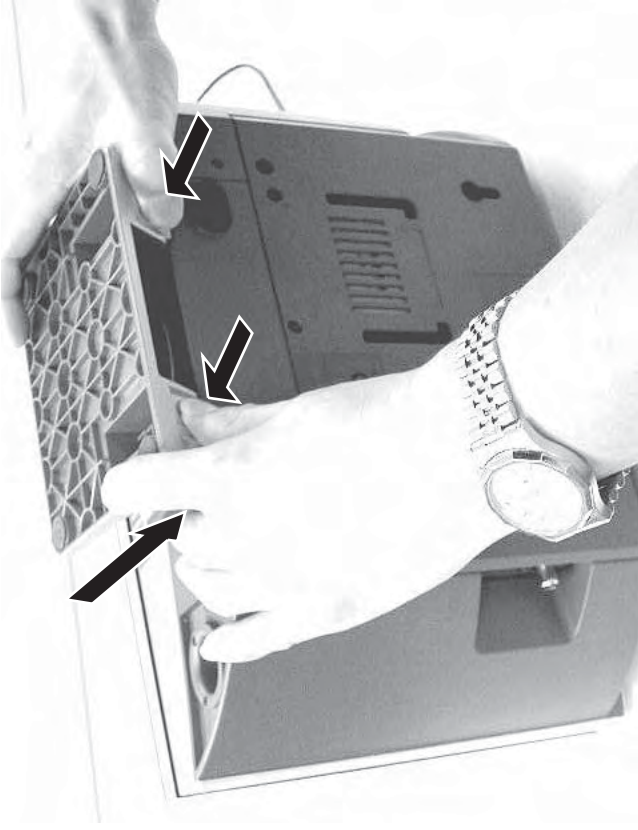
- 12. Remove BTN PWR/REC PRE-ASSY

- remove screws T3x8 - 2 pcs.

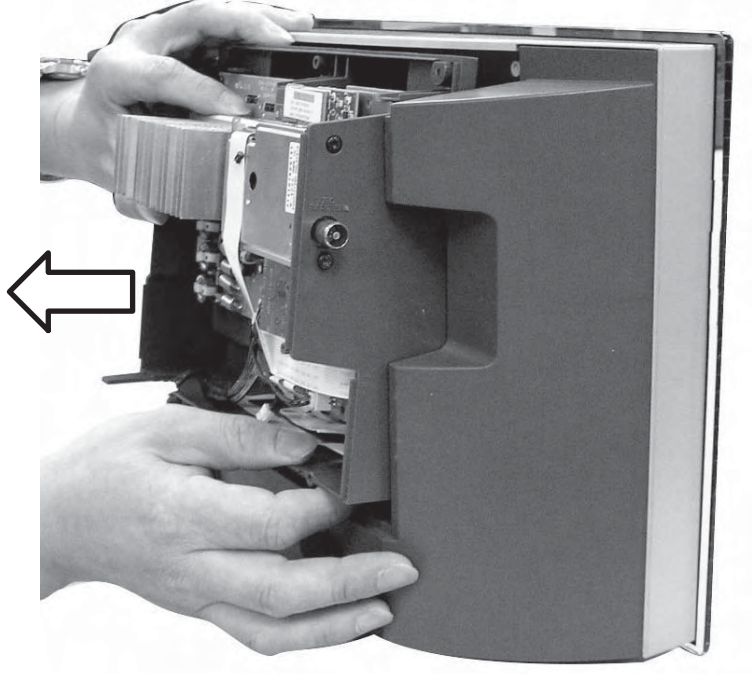


DISASSEMBLY INSTRUCTION(waS7000)

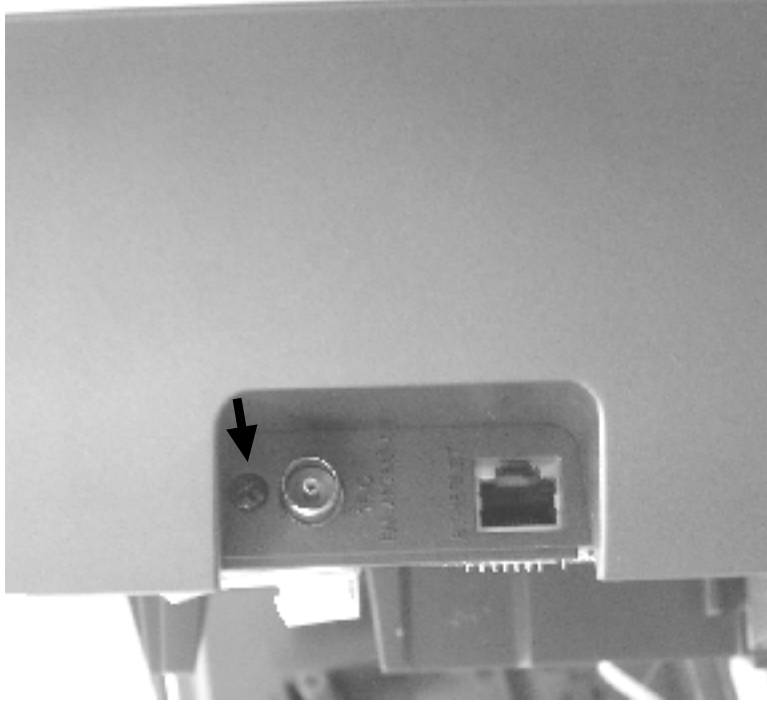
1. Remove STAND.



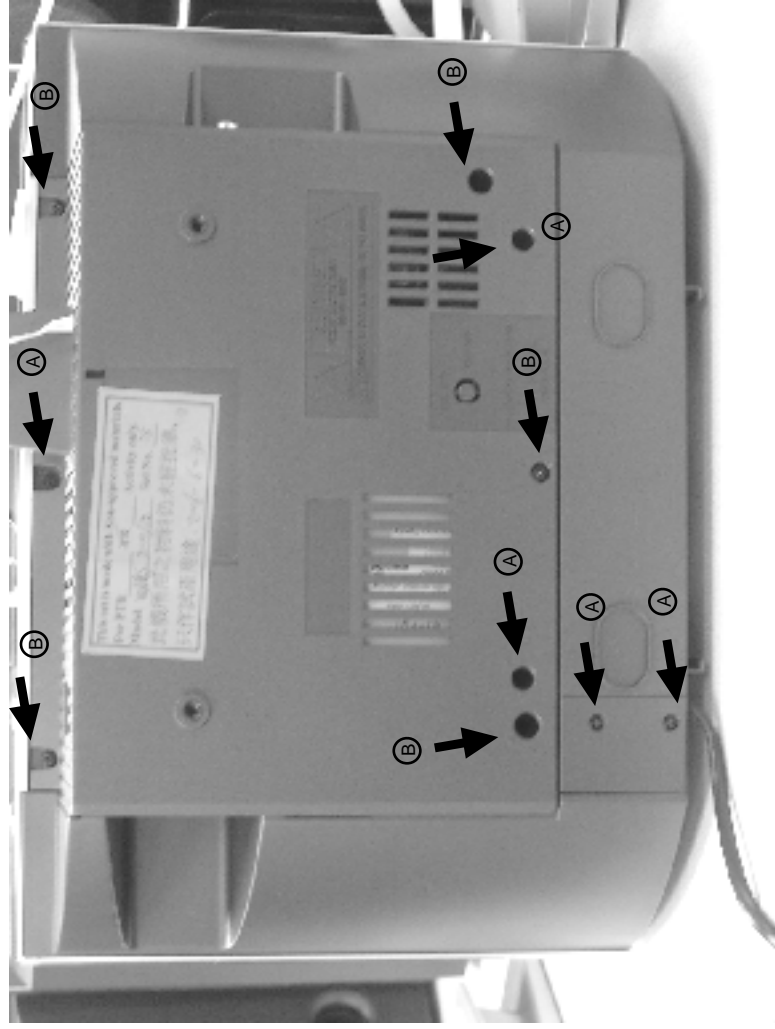
3. Remove F-CAB CENTER PRE-ASSY.



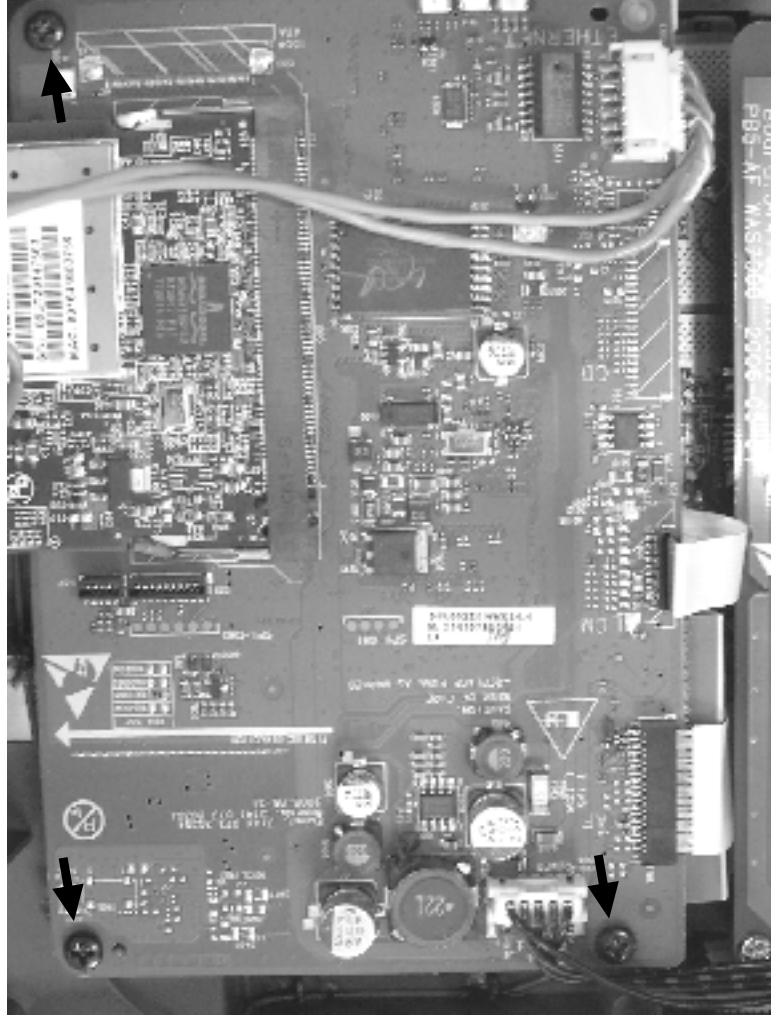
4. Remove Tuner Module
Screw M3x6 - 1 pcs.



2. Remove Cabinet Back Assy.
Screw T3x12 - 5 pcs. (A)
Screw T3x16 - 5 pcs. (B)

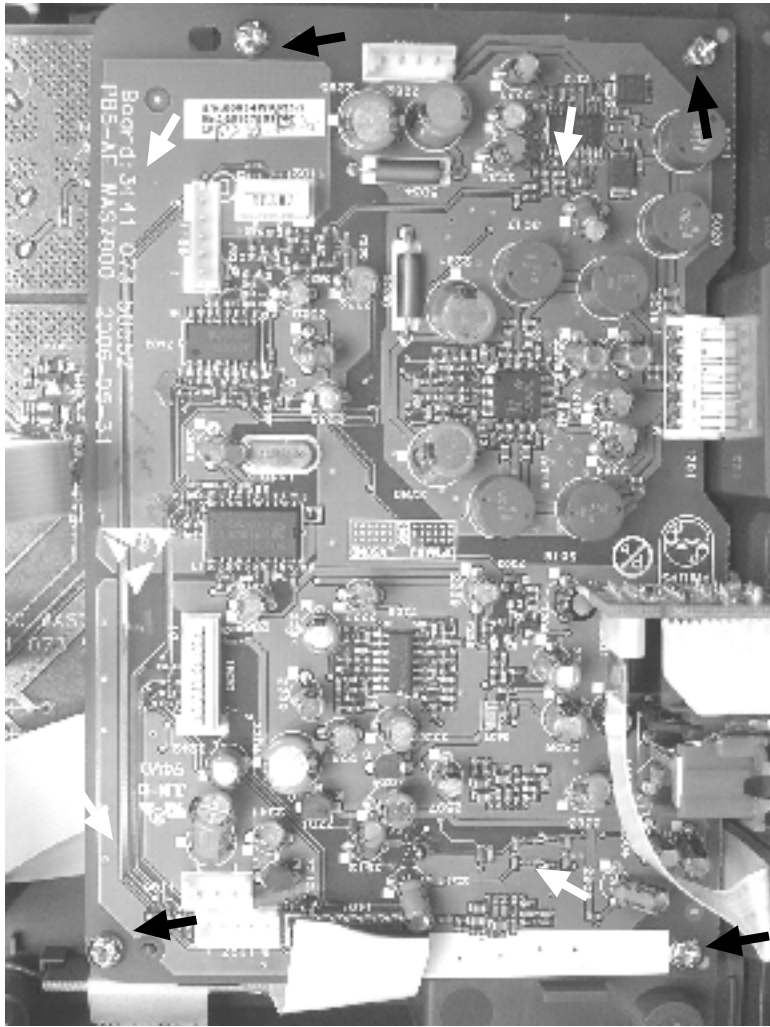


5. Remove WESSLI-3A Module
Screw T3x10 - 3 pcs.

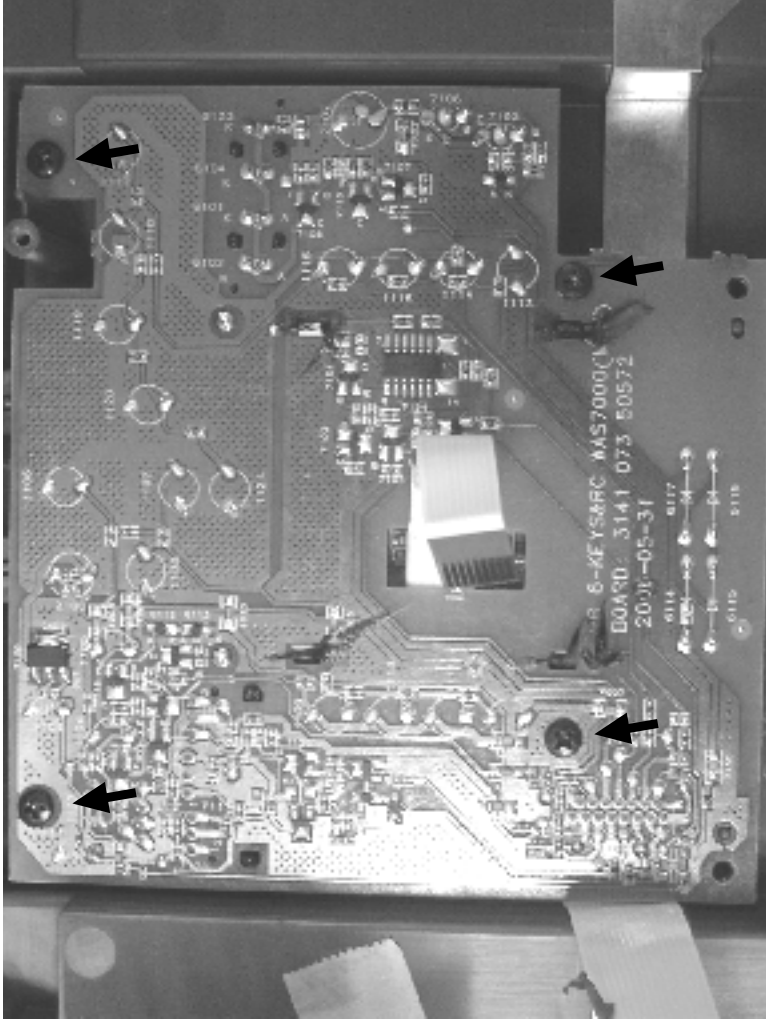


DISASSEMBLY INSTRUCTION(waS7000)

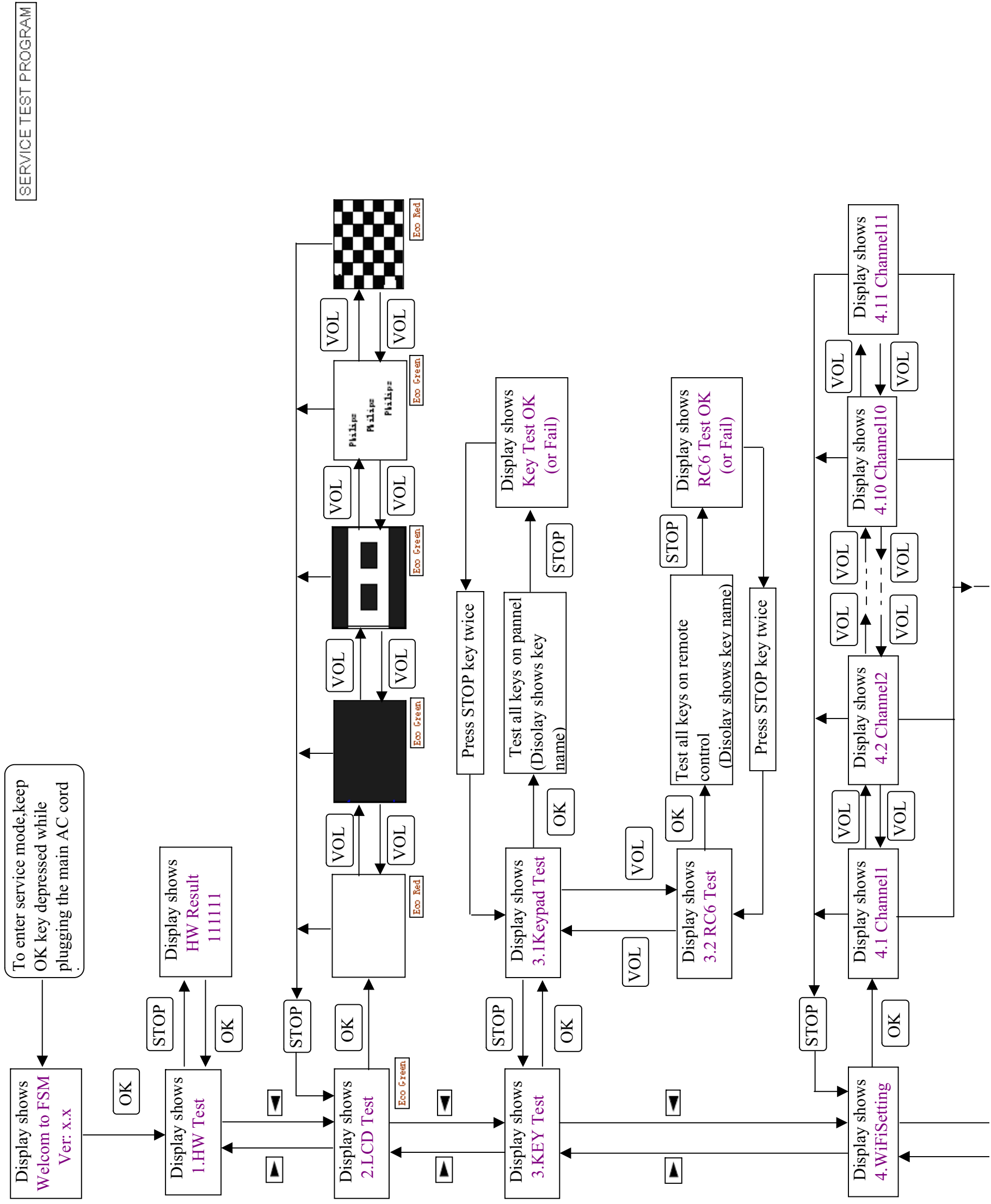
- 6. Remove PBAS 5 - AF from Centre Cabinet
Screw T3x8 - 4 pcs.



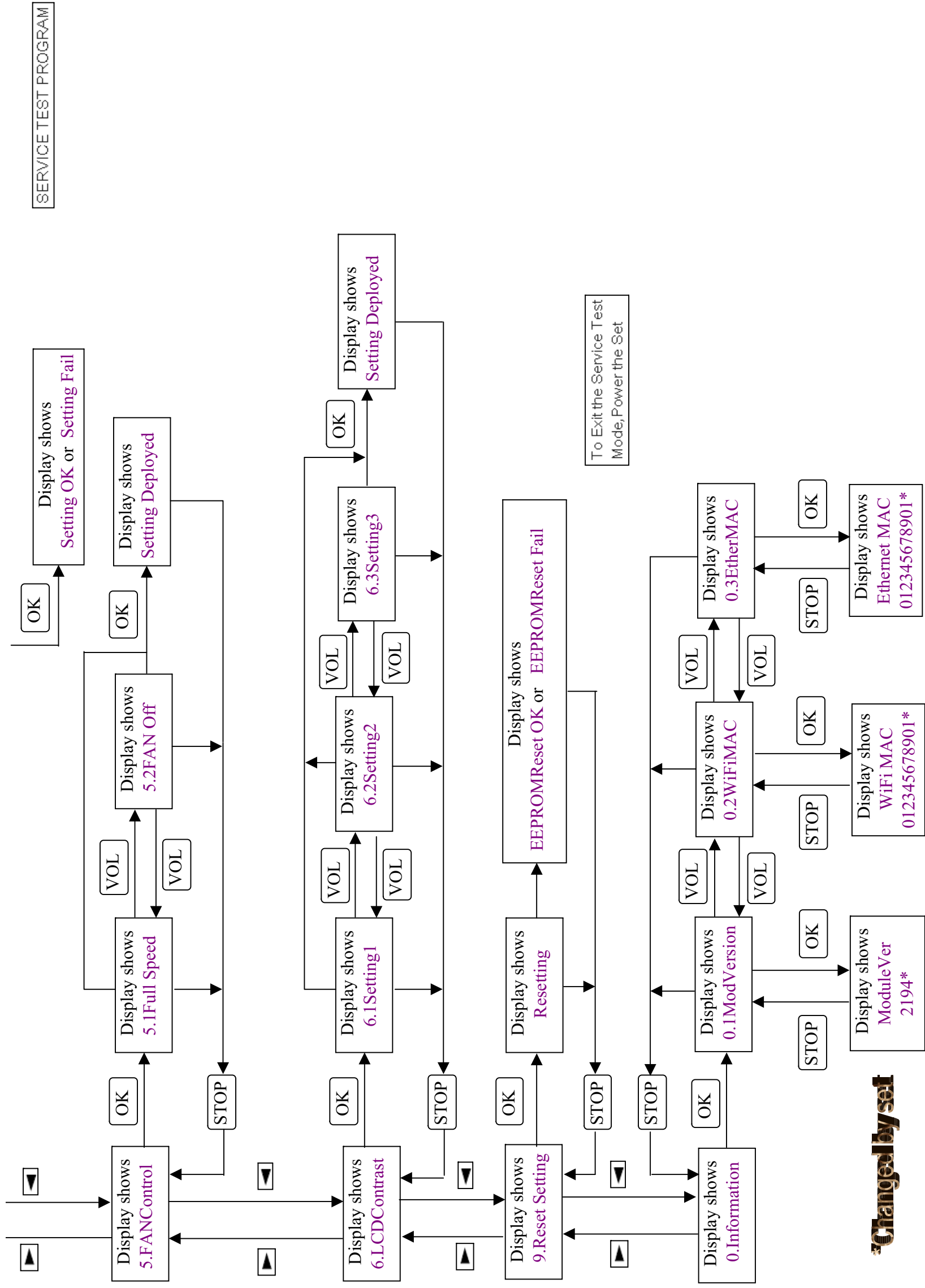
- 7. Remove PBAS 6 - KEYS&RC from Centre Cabinet
Screw T3x10 - 4 pcs.



SERVICE TEST PROGRAM



SERVICE TEST PROGRAM



Changed by set

SERVICE TEST PROGRAM

SOFTWARE UPGRADING PROCEDURE(waC7000)

Software Version Verification Procedure

It is important to write down the system version information of your Center before you start the upgrade procedure. This information is also useful in case you need to call Philips Customer Care Center.

1. Press **MENU**.
2. Press **/** to select **"Information"**. Press **OK**.
3. Press **/** to select **"System"**. Press **OK**.
4. The software version number is shown on the display.
5. If the software version is not the latest one, you need to upgrade waCS7000.

There are 2 ways to update the software.

- A) Using CD-Rom
- B) Using WADM

A. Using CD-Rom

1. Software Upgrade Disc Preparation

Tools Required : You will need the following items :

- PC (Pentium III 300MHz processor or higher)
- CD-R/RW writer and writing application software
- Blank CD-R or CDRW disc
- Broadband / High speed internet connection

2. How to download the software to your computer

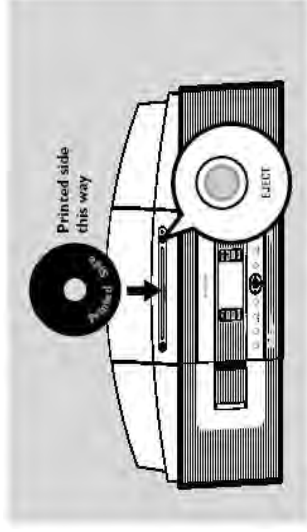
1. To download free firmware and software upgrades for your product, please login to www.club.philips.com
Download the firmware upgrade files and store them on your PC
2. Unzip the .zip file and extract files into your PC.

Note:

- Please do not rename the filename.
- If you do not have the software to open the .zip file, please visit below website to download the software.
<http://www.winzip.com/>

3. Steps to upgrade the waCS7000

1. Make sure the Audio Station has connected to the Audio Center.
2. Burn the file to blank CD-R or CDRW. Finalize the disc. (The application may do this automatically.)
3. Turn on the Audio Center and turn on the Audio Station, insert the CD to the slot loader, CD graphic printed side facing you.



4. The Audio Center will upgrade automatically.
 - The message **"Updating firmware, please wait...."** and the **"process bar"** show on the display of the Audio Center.
 - The upgrade process of the Center will reboot twice

Note: Do NOT power off the Audio Center or eject the disc at this stage.

5. It takes around 5 mins to complete the firmware upgrade for the Audio Center.

6. When done, the Audio Center will go to the HD mode automatically. Then the Audio Center will upgrade the Station wireless automatically.

7. It takes around 5 mins to complete the firmware upgrade for the Audio Station.

- The message **"Updating firmware, please wait...."** and the **"process bar"** show on the display of the Audio Station.
- The upgrade process of the Audio Station will reboot twice

Note: Do NOT power off the Audio Station at this stage.

8. When done, the Audio Station will go to the HD mode. You can start the normal operations afterward.

3. After the upgrade

Do confirm the software version by checking the system version.
Please follow the procedure described in the section **"Software Version Verification Procedures"**.

B. Using WADM

1. How to download the software to your computer

1. To download free firmware and software upgrades for your product, please login to www.club.philips.com
Download the firmware upgrade files and store them on your PC

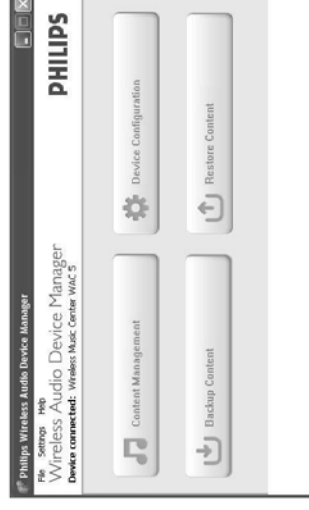
2. Unzip the .zip file and extract files into your PC.

Note:

- Please do not rename the filename.
- If you do not have the software to open the .zip file, please visit below website to download the software.
<http://www.winzip.com/>

2. Steps to update waCS7000

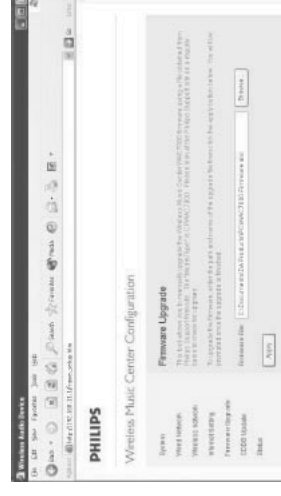
1. Make sure the Audio Station has connected to the Audio Center.
2. Launch the WADM



3. Click the **"Device configuration"** button to start

→ The IE browser is launched

4. Click to enter the **"Firmware upgrade"** sub-menu
5. As prompted, click **"Browse"** and indicate the location where you kept the firmware upgrade files on PC



4. Click **Apply** to start upgrading firmware
On **Philips Wireless Music Center:**
→ The display shows
"Updating firmware, please wait..."
→ **Center** will reboot itself during the installation process
→ When **Center** returns to **HD** screen, the installation is completed

Then, on **Philips Wireless Music Station:**

- Installation starts automatically
- When **Station** returns to **HD** screen, the installation is completed



IMPORTANT

On **Philips Wireless Music Center/ Station:**

- Never interrupt the firmware upgrading before its completion.
- Before finishing the installation, never operate other functions.

5. After the upgrade

Do confirm the software version by checking the system version.

Please follow the procedure described in the section **"Software Version Verification Procedures"**.

CD DATABASE UPGRADING PROCEDURE(waC7000)

The CD Database is provided quarterly on the internet. There are 2 ways to update the embedded CDDB.

- A) Using CD-Rom
- B) Using WADM

A. Using CD-Rom

1. CDDB Update Disc Preparation

Tools Required : You will need the following items :

- PC (Pentium III 300MHz processor or higher)
- CD-R/RW writer and writing application software
- Blank CD-R or CDRW disc
- Broadband / High speed internet connection

2. How to download the CDDB to your computer

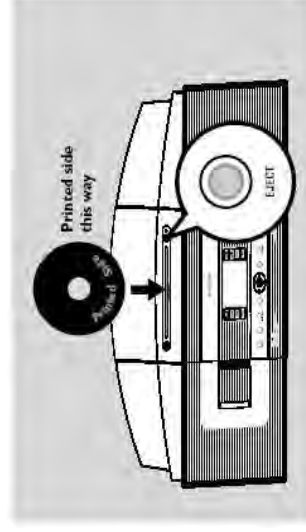
1. Register your Philips wireless audio product with www.club.philips.com
Download the CD Database update files and store them on your PC
2. Unzip the .zip file and extract files into your PC.

Note:

- Please do not rename the filename.
- If you do not have the software to open the .zip file, please visit below website to download the software.
<http://www.winzip.com/>

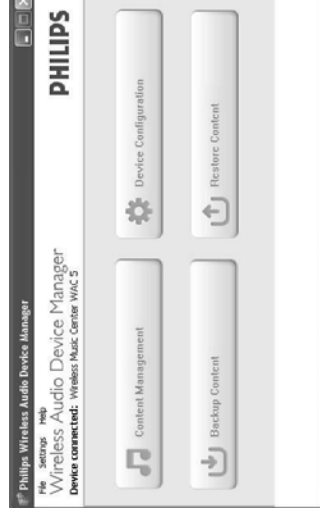
3. Steps to update the Gracenote CDDB

1. Burn the file to blank CD-R or CDRW. Finalize the disc. (The application may do this automatically.)
2. Turn on the Audio Center.
3. Insert CD into Audio Center's CD loader, with CD graphic printed side facing you.



1. Make sure the Audio Station has connected to the Audio Center.

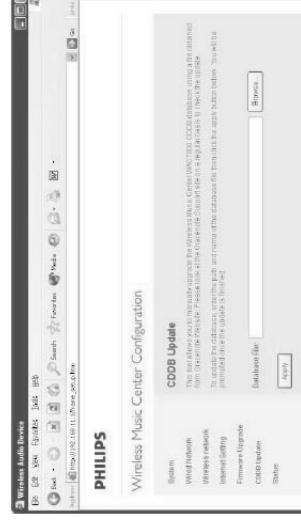
2. Launch the WADM



3. Click the "Device configuration" button to start

→ The IE browser is launched

4. Click to enter the "CD Database update" sub-menu
5. As prompted, click "Browse" and indicate the location where you kept the firmware upgrade files on PC



6. Click Apply to start updating CD Database
Note: Do NOT power off the Audio Center at this stage.

7. It takes around 15-20 mins to complete CDDB updating.

8. If the CDDB is updated successfully, the message "Update Finished" (depends on the language setting on the set) shows.

Note: If the message "Update Aborted" shows, the CDDB file you downloaded maybe corrupted. Please download the zip file again.

9. You can start the normal operation afterward.

4. The Audio Center starts update the Audio's embedded CDDB automatically. The message "Updating the Gracenote database" (depends on the language setting on the set) is shown on the display.

Note: Do NOT power off the Audio Center or eject the disc at this stage.

5. It takes around 15-20 mins to complete CDDB updating.

6. If the CDDB is updated successfully, the message "Update Finished. Eject Disc" (depends on the language setting on the set) shows.

Note: If the message "Update Aborted. Eject Disc" shows, the CDDB file you downloaded maybe corrupted. Please download the zip file and burn the CD again.

7. Press eject button and then take out the disc.

8. You can start the normal operation afterward.

B. Using WADM

1. How to download the CDDB to your computer

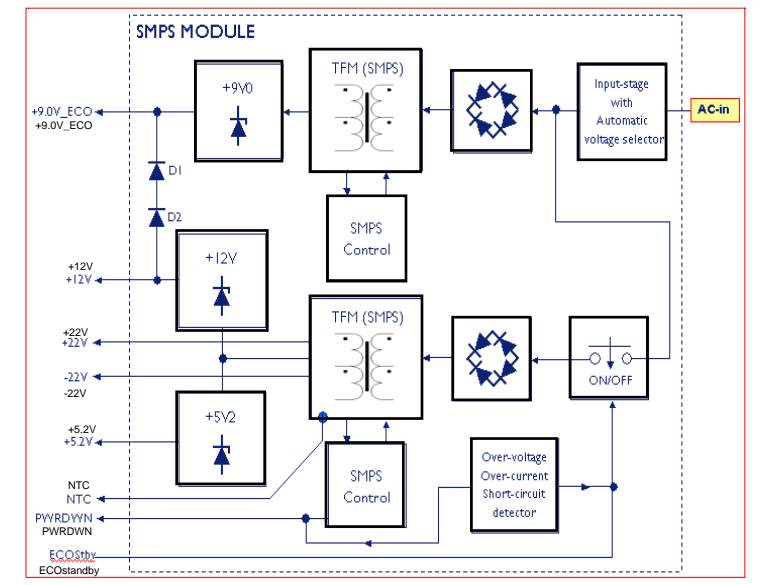
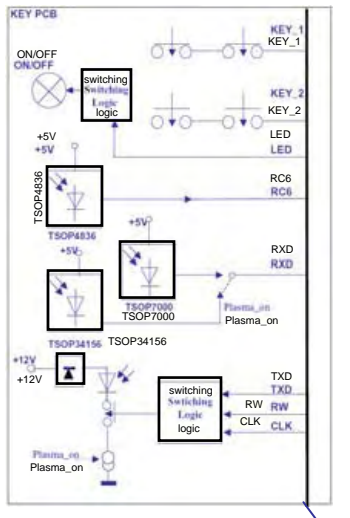
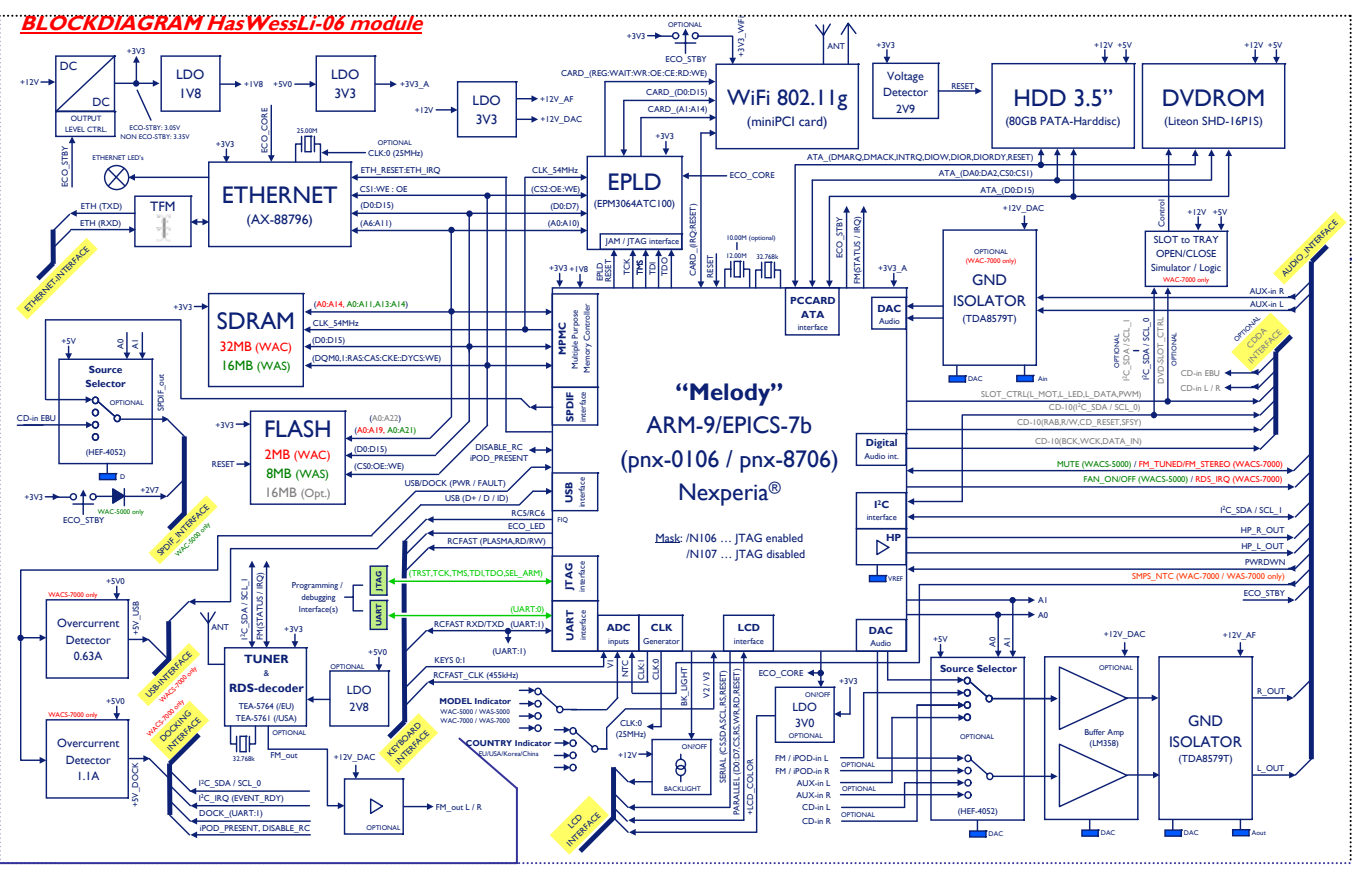
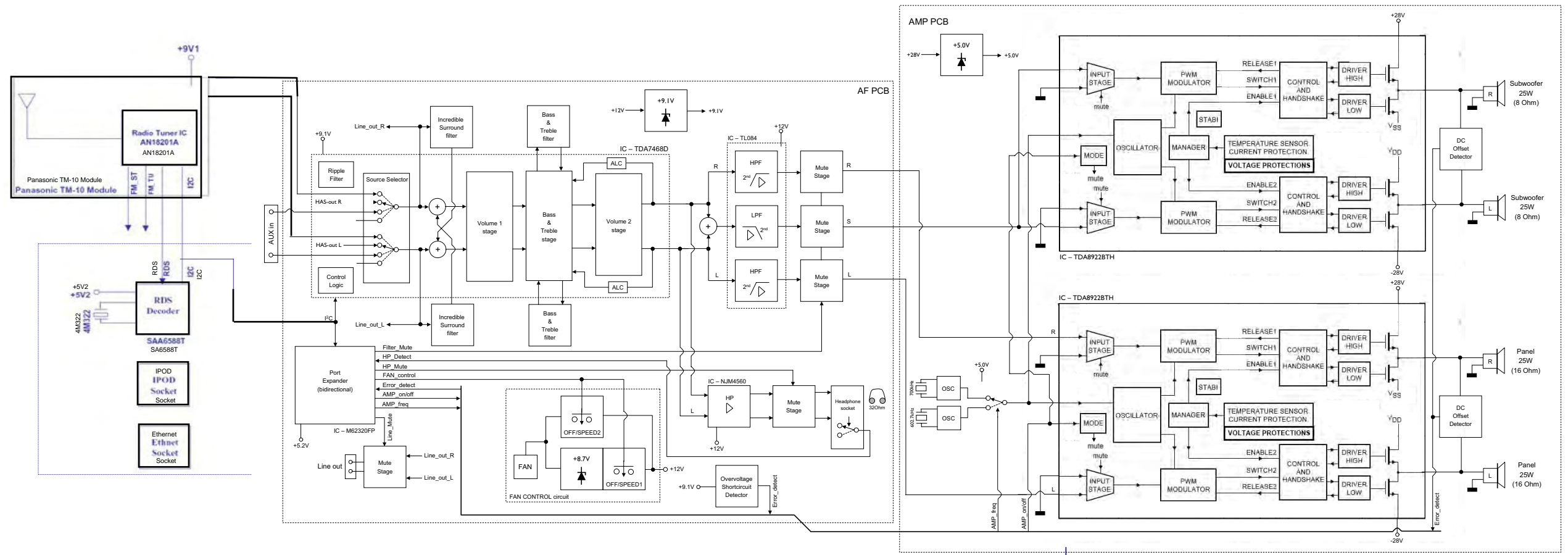
1. Register your Philips wireless audio product with www.club.philips.com
Download the CD Database update files and store them on your PC
2. Unzip the .zip file and extract files into your PC.

Note:

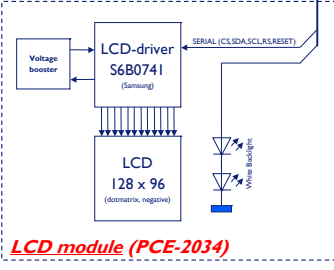
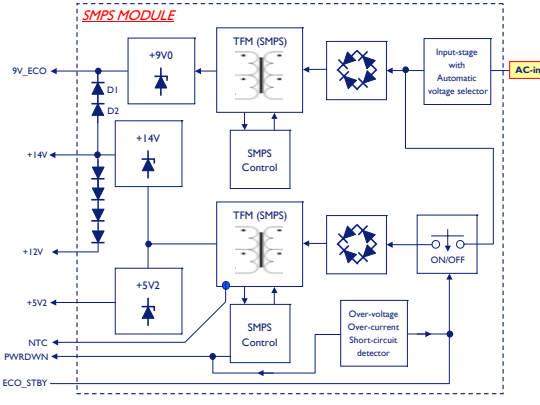
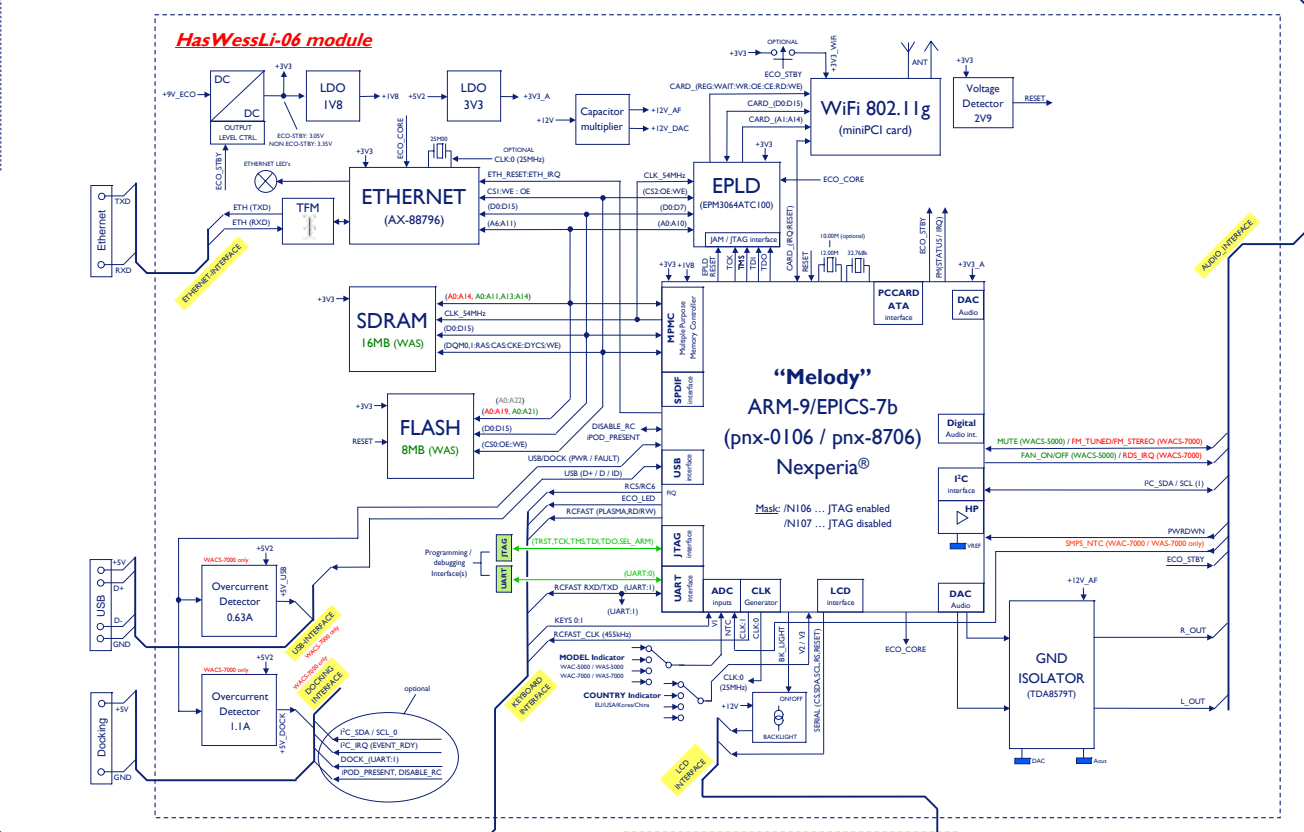
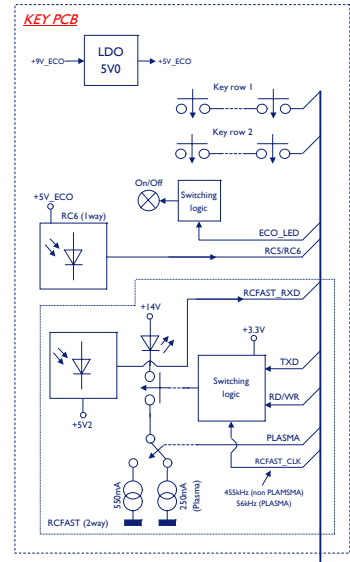
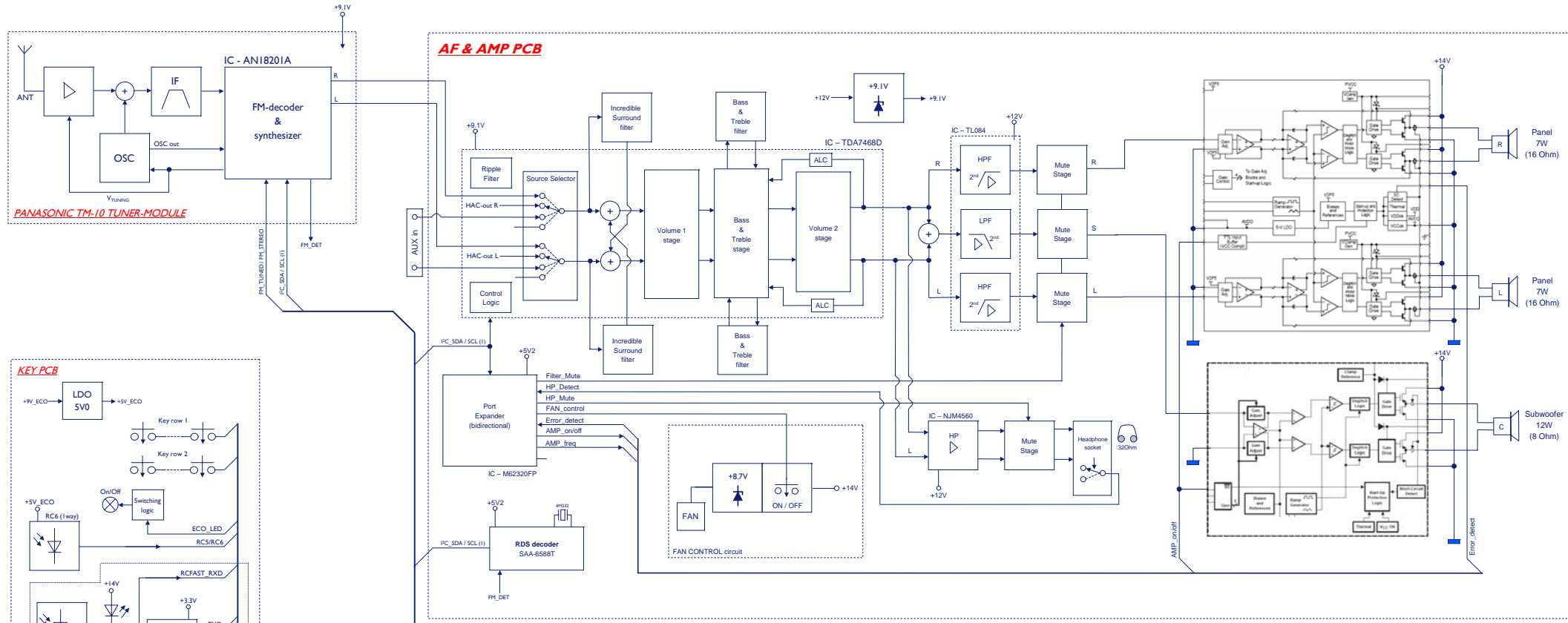
- Please do not rename the filename.
- If you do not have the software to open the .zip file, please visit below website to download the software.
<http://www.winzip.com/>

2. Steps to update the Gracenote CDDB

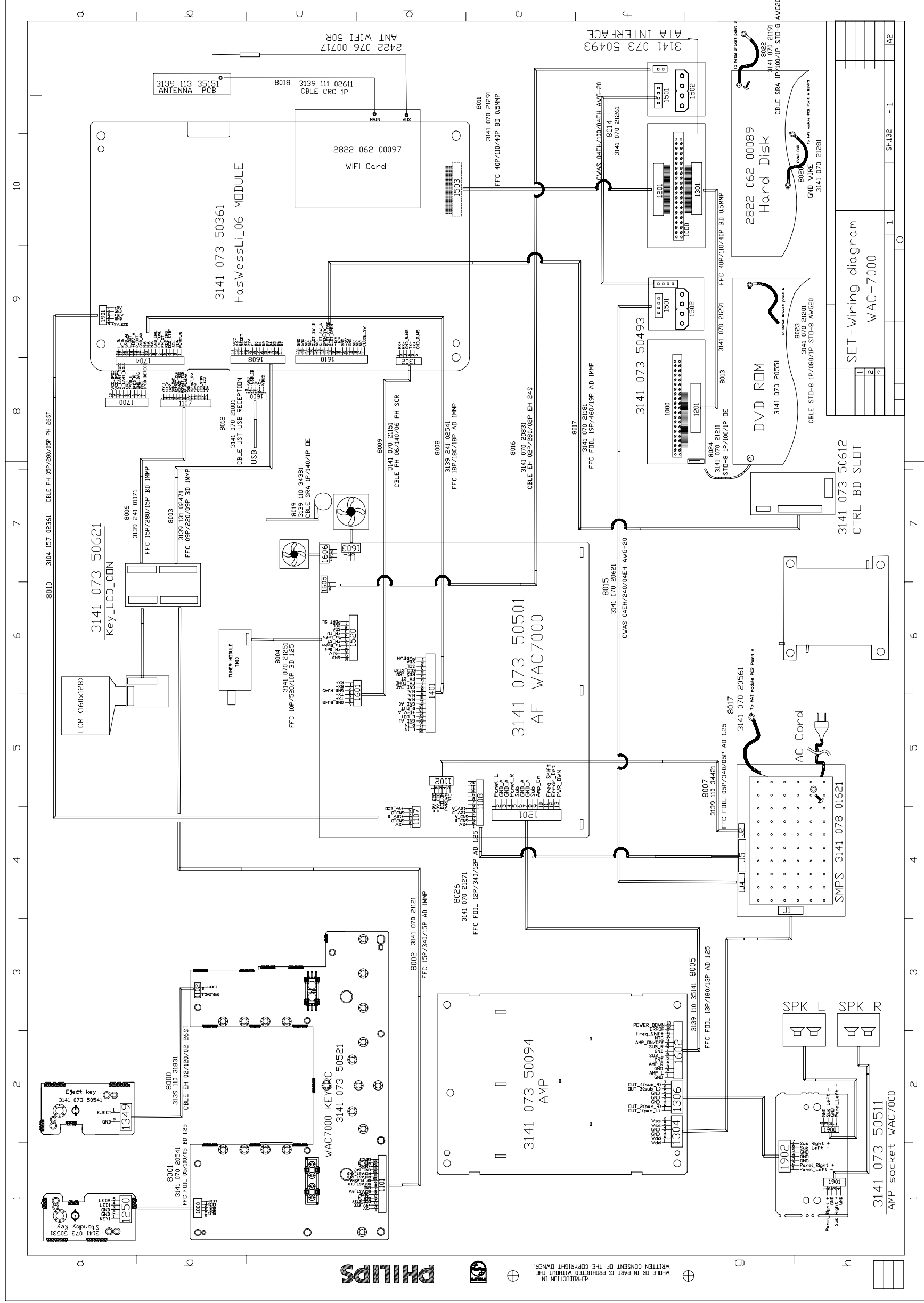
SET BLOCK DIAGRAM(waC7000)



SET BLOCK DIAGRAM(waS7000)



SET WIRING DIAGRAM(waC7000)



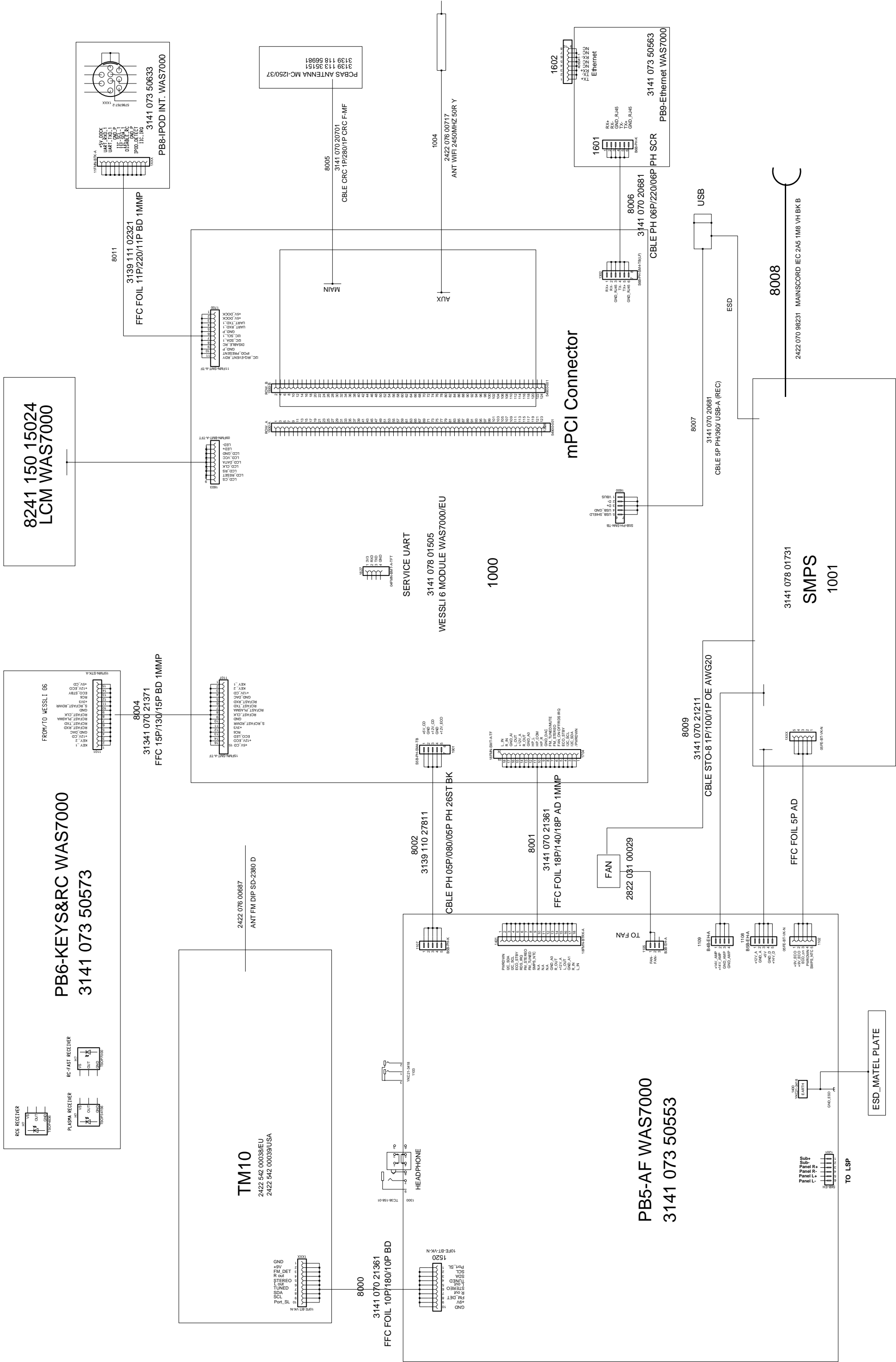
©-REPRODUCTION IN WRITTEN OR IN PART IS PROHIBITED WITHOUT THE CONSENT OF THE COPYRIGHT OWNER.



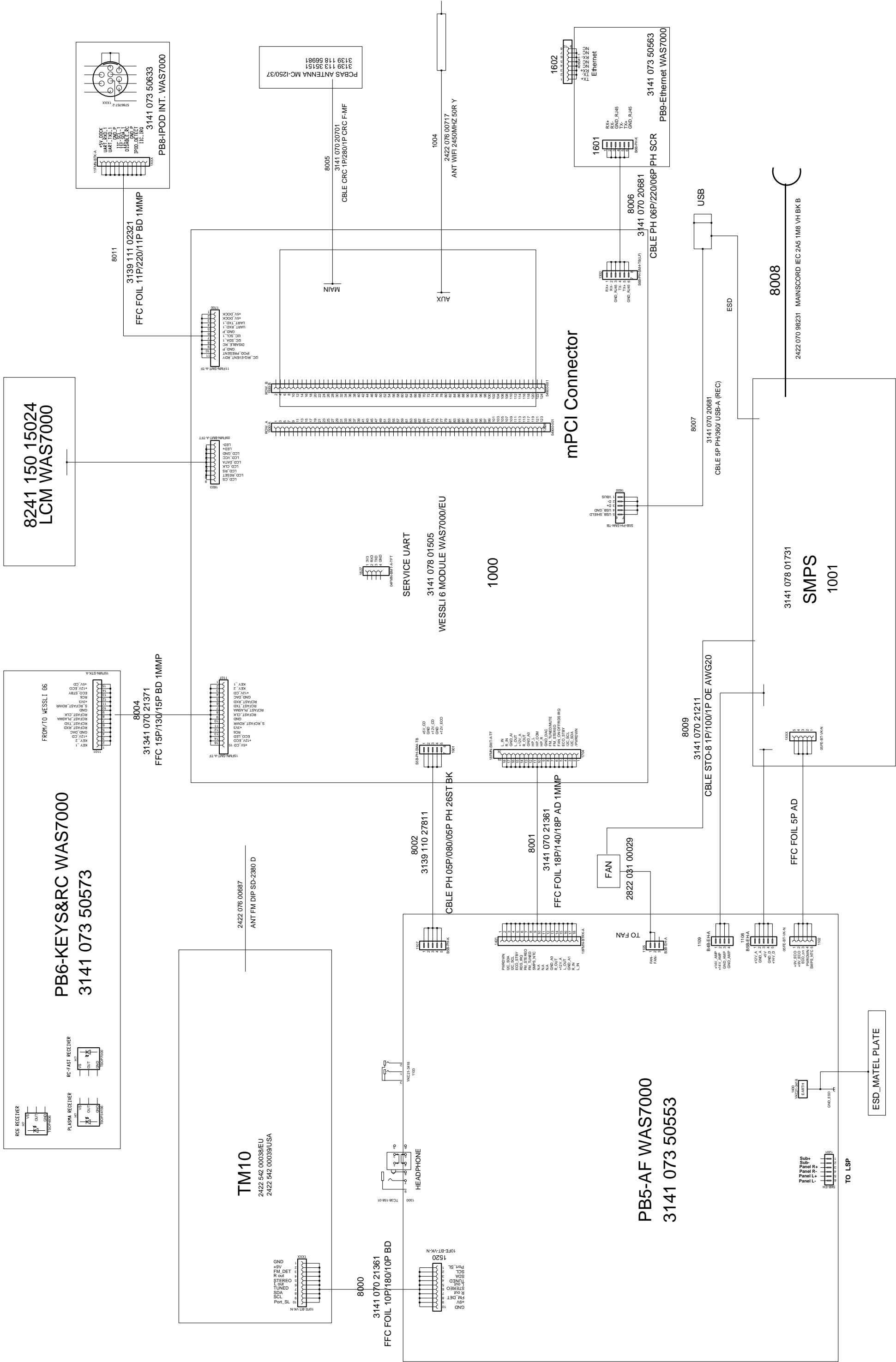
SET - wiring diagram
WAC-7000

1	2	3	4	5	6	7	8	9	10	AE
---	---	---	---	---	---	---	---	---	----	----

SET WIRING DIAGRAM(waS7000)

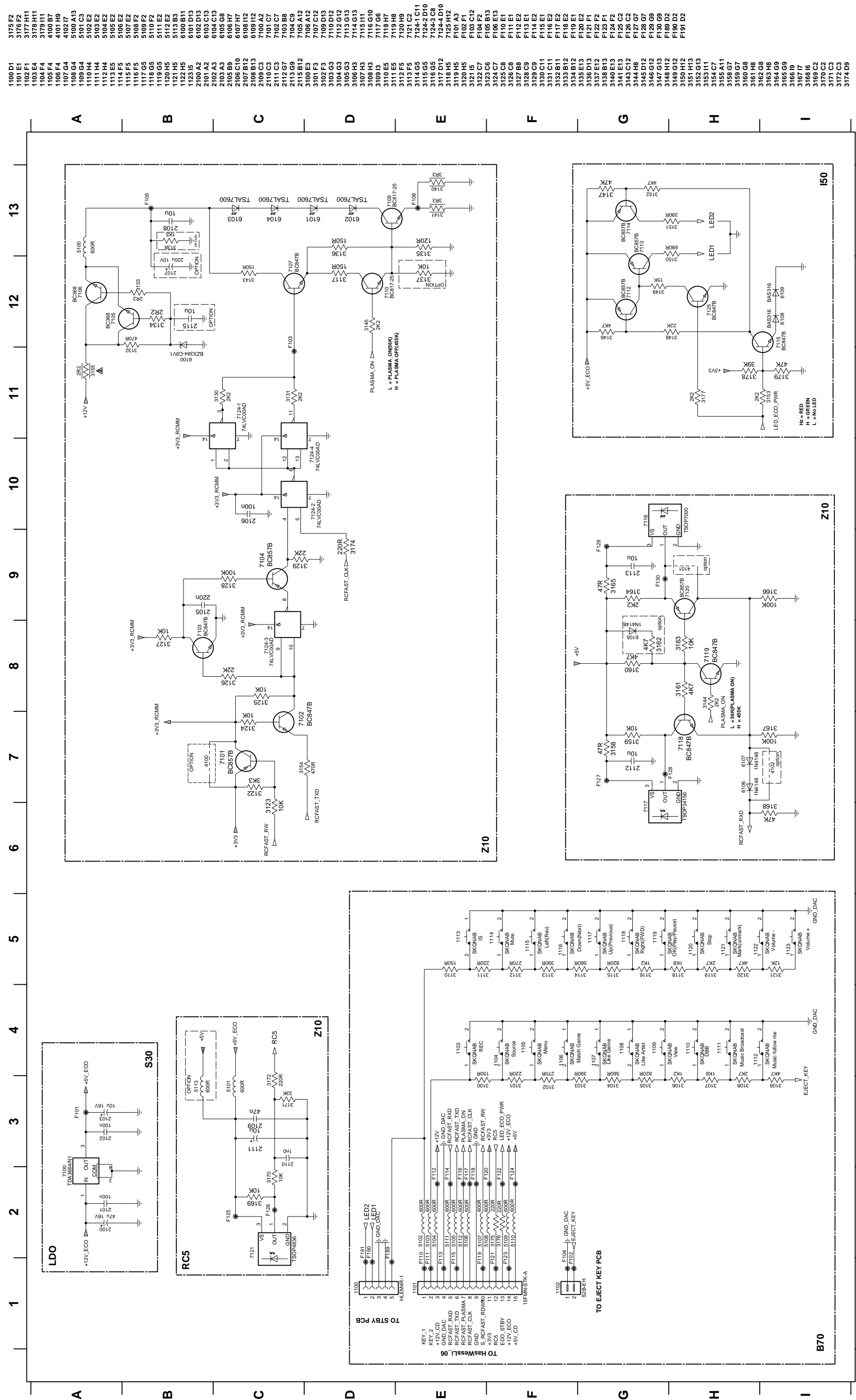


SET WIRING DIAGRAM(waS7000)

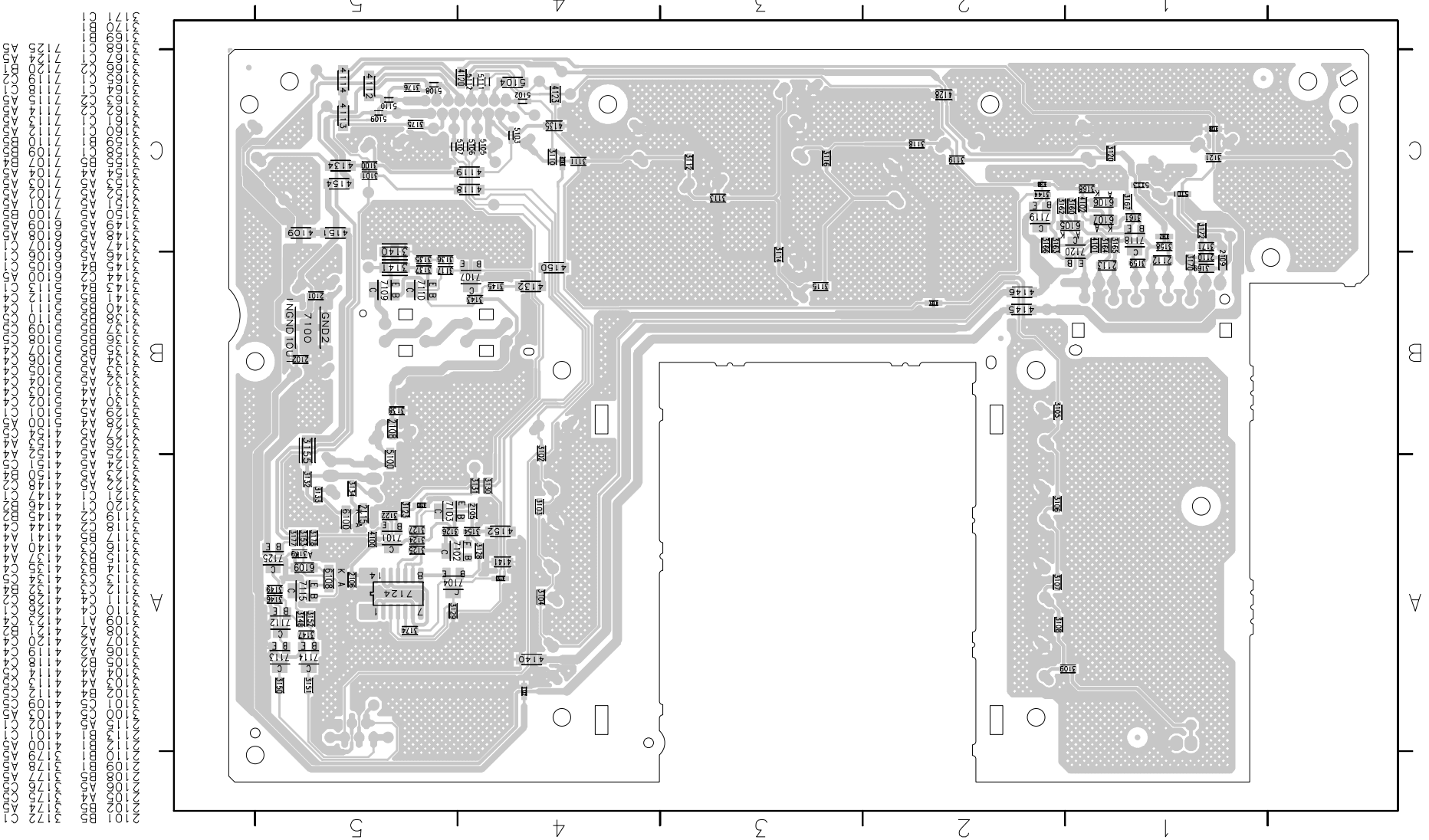


KEY COMBINE PANEL - KEY & RC BOARD(waC7000)

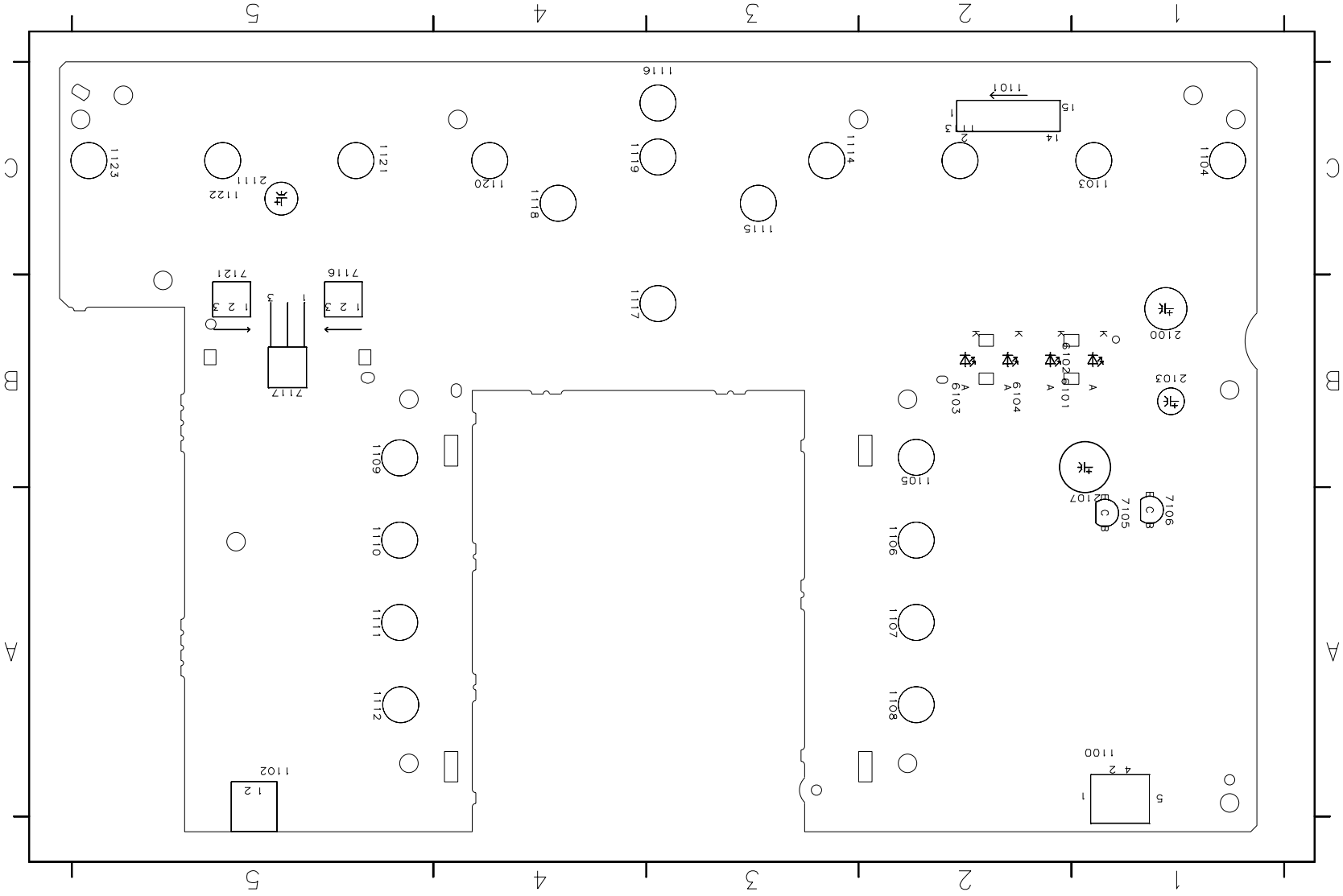
KEYS/ RC BOARD - Circuit Diagram



- 1100 D1
- 1101 E1
- 1102 F1
- 1103 E4
- 1104 F4
- 1105 F4
- 1106 B7
- 1107 G4
- 1107 H7
- 1108 G4
- 1109 G4
- 1110 E2
- 1111 H4
- 1112 H4
- 1113 E2
- 1114 E5
- 1115 E5
- 1116 F5
- 1117 G5
- 1118 G5
- 1119 G5
- 1120 H5
- 1121 H5
- 1122 H5
- 1123 H5
- 2100 A2
- 2101 A2
- 2102 A3
- 2103 A3
- 2105 B9
- 2106 C10
- 2107 B12
- 2108 B13
- 2109 C3
- 2110 C7
- 2111 C3
- 2112 G3
- 2113 G9
- 2114 G9
- 2115 B12
- 3100 E3
- 3101 F3
- 3102 F3
- 3103 G3
- 3104 G3
- 3105 G3
- 3106 H3
- 3107 H3
- 3108 H3
- 3109 I3
- 3110 E5
- 3111 E5
- 3112 F5
- 3113 F5
- 3114 G5
- 3115 G5
- 3116 G5
- 3117 D10
- 3118 D10
- 3119 D10
- 3120 D10
- 3121 H5
- 3122 H5
- 3123 H5
- 3124 H5
- 3125 H5
- 3126 H5
- 3127 H5
- 3128 H5
- 3129 H5
- 3130 C11
- 3131 C11
- 3132 B11
- 3133 B12
- 3134 B12
- 3135 E13
- 3136 D13
- 3137 E12
- 3138 B13
- 3139 B13
- 3140 E13
- 3141 E13
- 3142 C12
- 3143 H6
- 3145 D12
- 3146 G7
- 3147 G7
- 3148 G7
- 3149 H2
- 3150 H2
- 3151 H3
- 3152 G13
- 3153 I11
- 3154 C7
- 3155 A11
- 3158 G7
- 3159 G7
- 3160 G8
- 3161 H8
- 3162 G8
- 3163 H8
- 3164 G9
- 3165 G9
- 3166 I9
- 3167 I7
- 3168 I6
- 3169 C2
- 3170 C2
- 3171 C3
- 3172 C3
- 3173 D3
- 3174 D3



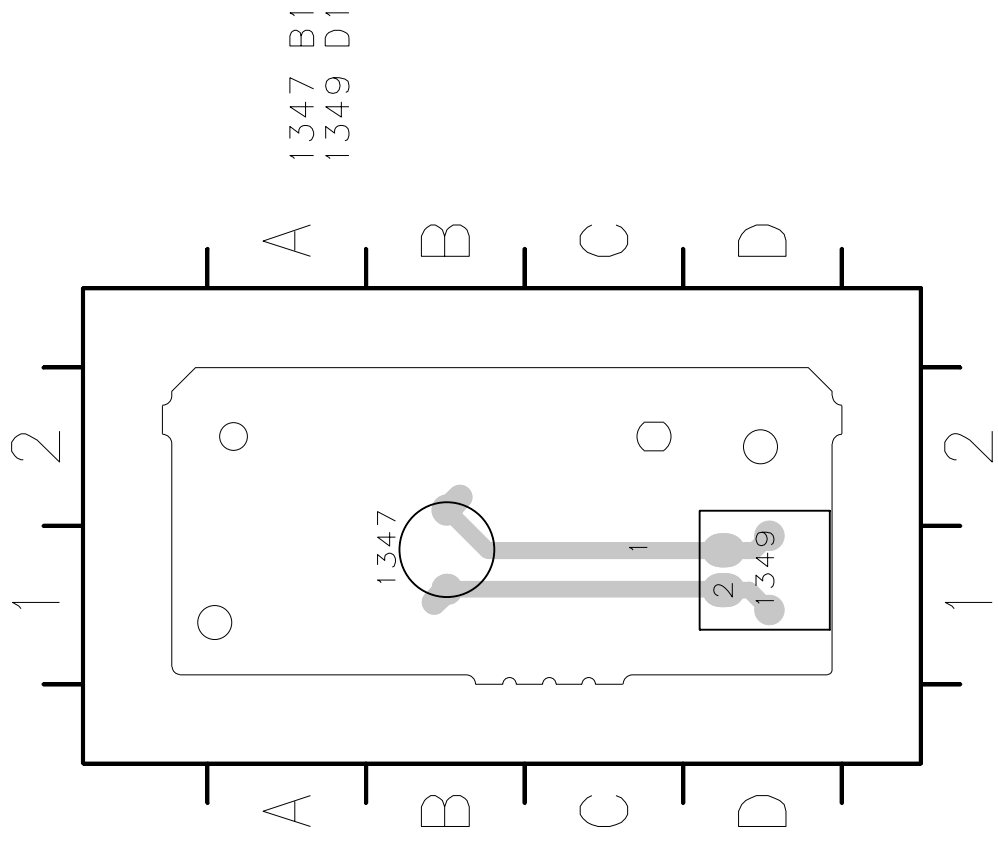
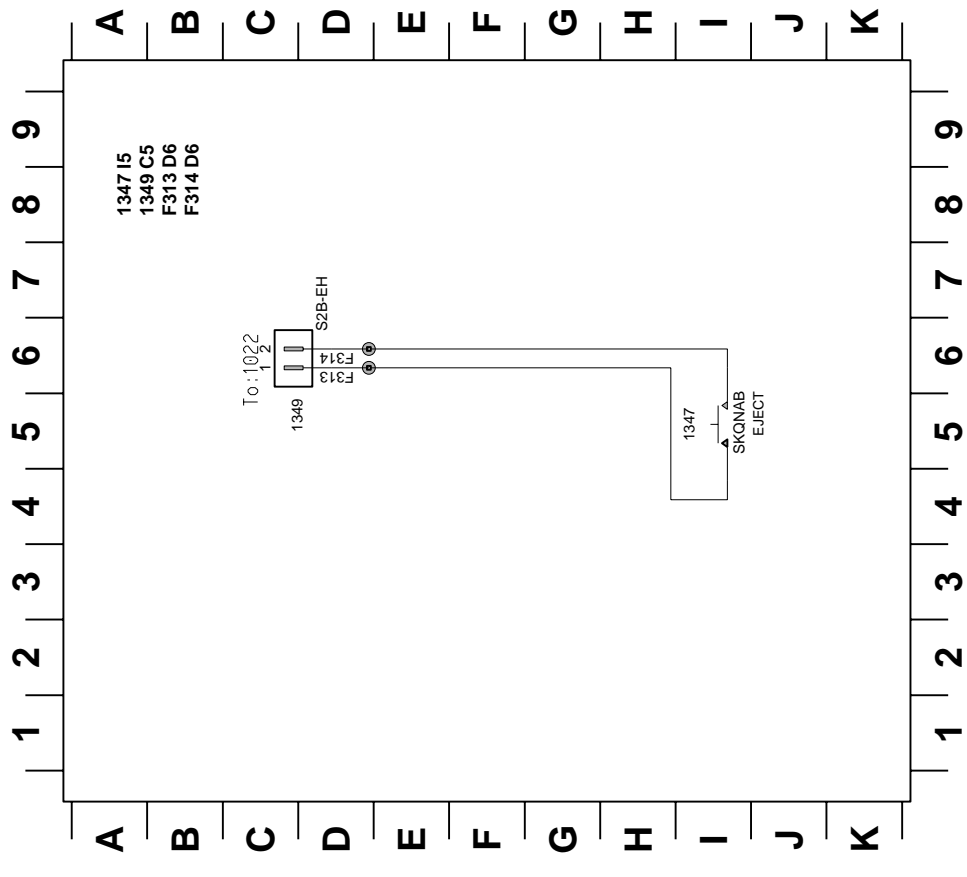
SIDE B



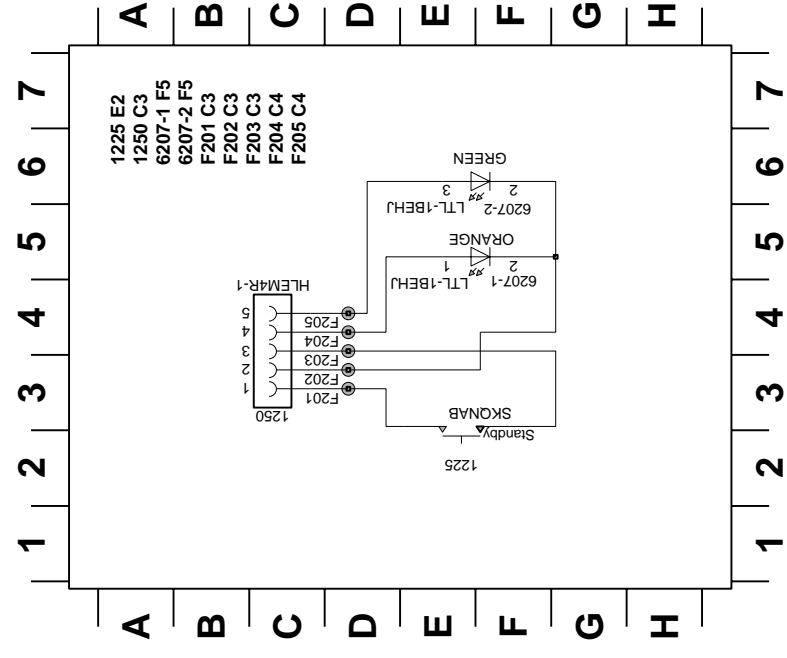
SIDE A

STANDBY KEY BOARD & EJECT KEY BOARD (waC7000)

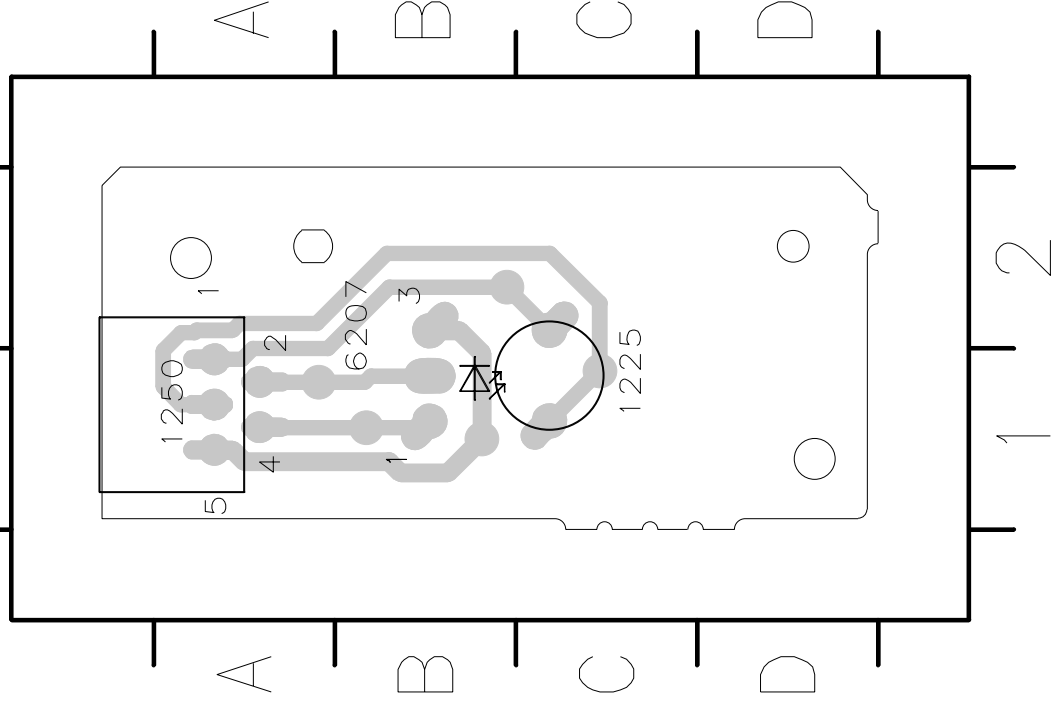
EJECT KEY BOARD



STANDBY KEY BOARD

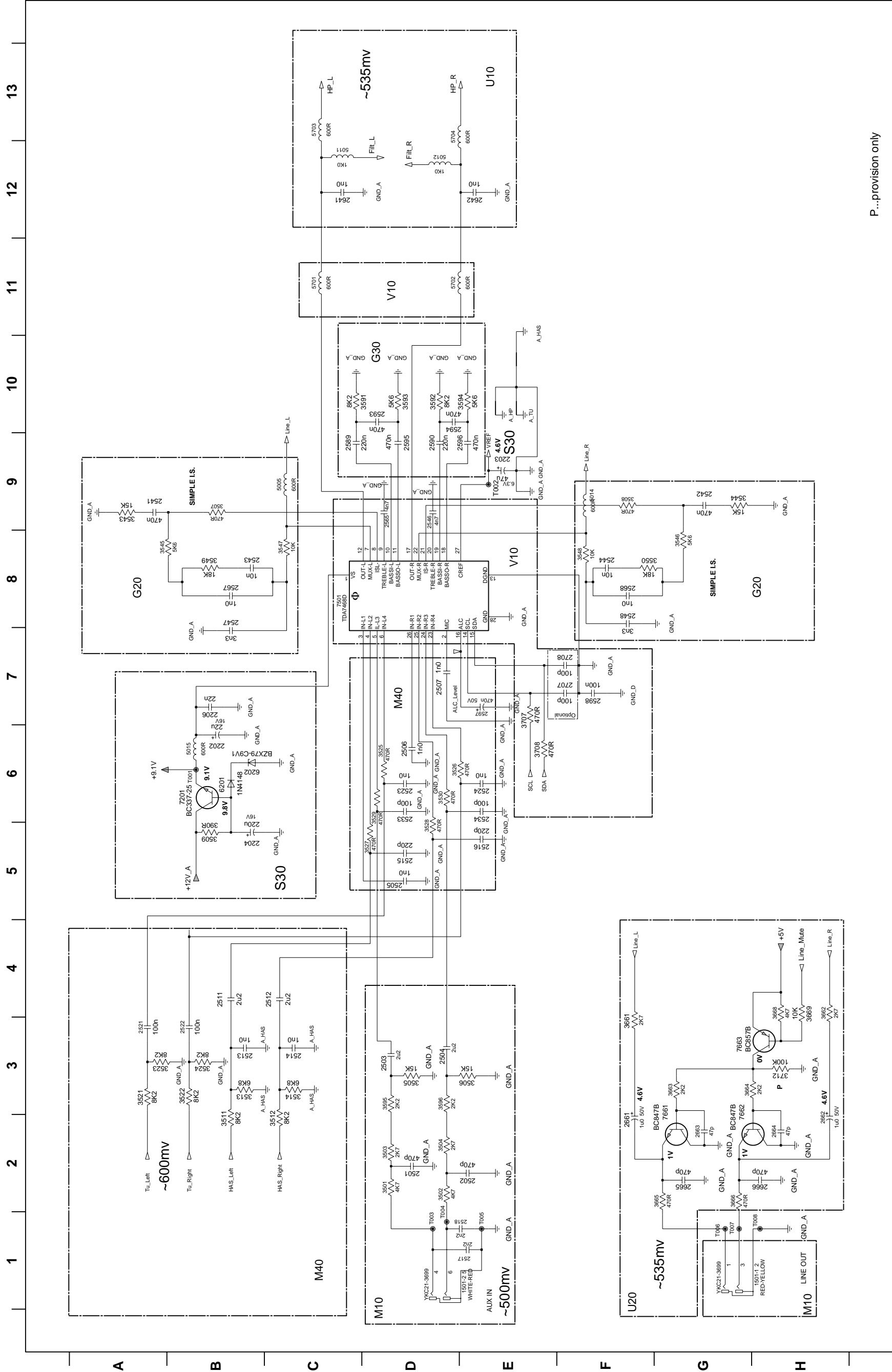


- 1225 C1
- 1250 A1
- 6207 B2



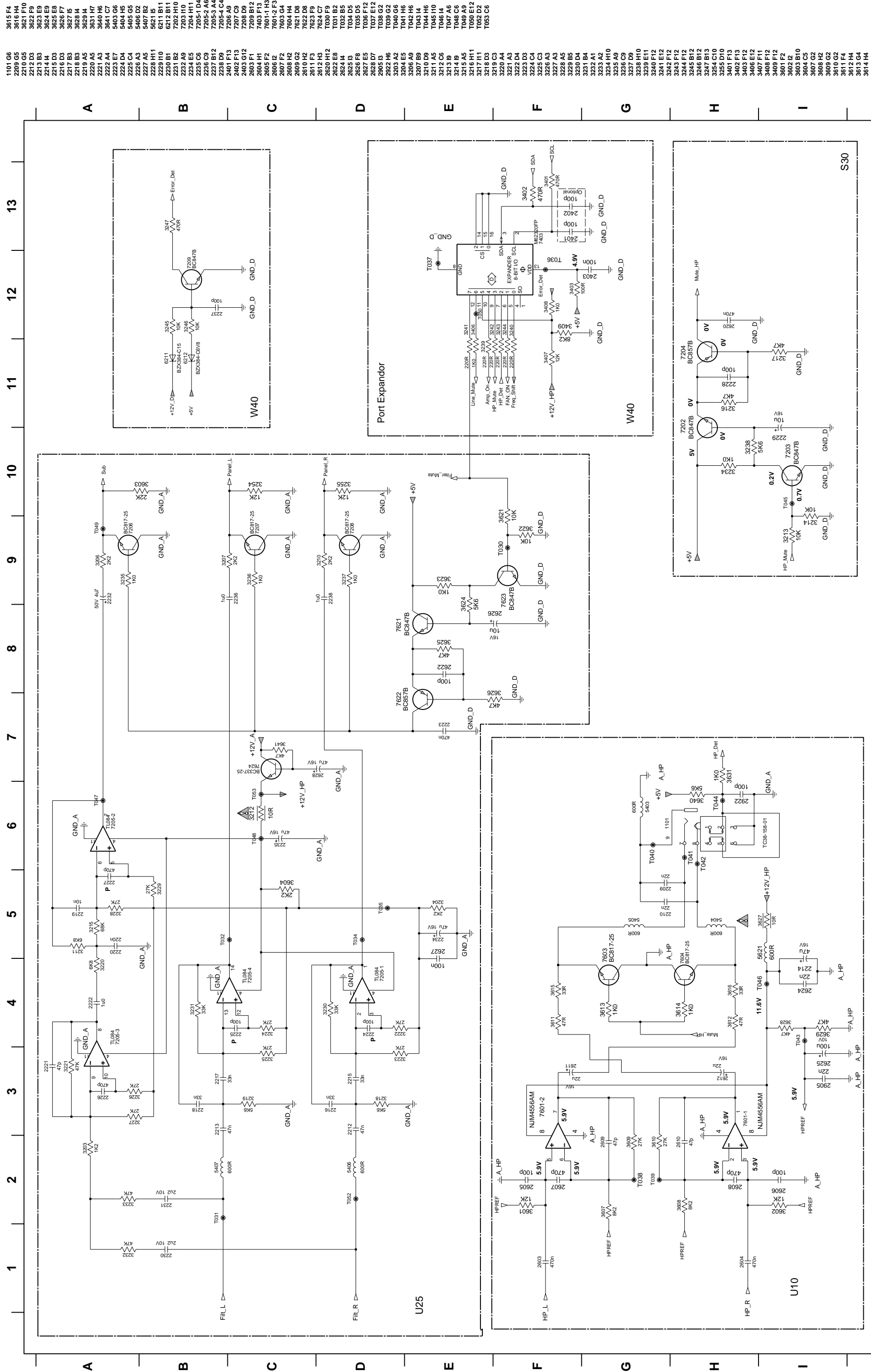
PB5 - AF BOARD - Circuit Diagram (Part1)(waC7000)

- 5014 F9
- 5015 B6
- 5701 C11
- 5702 D11
- 5703 C13
- 5704 D13
- 6201 B6
- 6202 E2
- 7201 B6
- 7501 C8
- 7661 G3
- 7662 G3
- 7663 G3
- 7664 G3
- 7665 G3
- 7666 G3
- 7667 G3
- 7668 G3
- 7669 G3
- 7670 G3
- 7671 G3
- 7672 G3
- 7673 G3
- 7674 G3
- 7675 G3
- 7676 G3
- 7677 G3
- 7678 G3
- 7679 G3
- 7680 G3
- 7681 G3
- 7682 G3
- 7683 G3
- 7684 G3
- 7685 G3
- 7686 G3
- 7687 G3
- 7688 G3
- 7689 G3
- 7690 G3
- 7691 G3
- 7692 G3
- 7693 G3
- 7694 G3
- 7695 G3
- 7696 G3
- 7697 G3
- 7698 G3
- 7699 G3
- 7700 G3
- 7701 G3
- 7702 G3
- 7703 G3
- 7704 G3
- 7705 G3
- 7706 G3
- 7707 G3
- 7708 G3
- 7709 G3
- 7710 G3
- 7711 G3
- 7712 G3
- 7713 G3
- 7714 G3
- 7715 G3
- 7716 G3
- 7717 G3
- 7718 G3
- 7719 G3
- 7720 G3
- 7721 G3
- 7722 G3
- 7723 G3
- 7724 G3
- 7725 G3
- 7726 G3
- 7727 G3
- 7728 G3
- 7729 G3
- 7730 G3
- 7731 G3
- 7732 G3
- 7733 G3
- 7734 G3
- 7735 G3
- 7736 G3
- 7737 G3
- 7738 G3
- 7739 G3
- 7740 G3
- 7741 G3
- 7742 G3
- 7743 G3
- 7744 G3
- 7745 G3
- 7746 G3
- 7747 G3
- 7748 G3
- 7749 G3
- 7750 G3
- 7751 G3
- 7752 G3
- 7753 G3
- 7754 G3
- 7755 G3
- 7756 G3
- 7757 G3
- 7758 G3
- 7759 G3
- 7760 G3
- 7761 G3
- 7762 G3
- 7763 G3
- 7764 G3
- 7765 G3
- 7766 G3
- 7767 G3
- 7768 G3
- 7769 G3
- 7770 G3
- 7771 G3
- 7772 G3
- 7773 G3
- 7774 G3
- 7775 G3
- 7776 G3
- 7777 G3
- 7778 G3
- 7779 G3
- 7780 G3
- 7781 G3
- 7782 G3
- 7783 G3
- 7784 G3
- 7785 G3
- 7786 G3
- 7787 G3
- 7788 G3
- 7789 G3
- 7790 G3
- 7791 G3
- 7792 G3
- 7793 G3
- 7794 G3
- 7795 G3
- 7796 G3
- 7797 G3
- 7798 G3
- 7799 G3
- 7800 G3



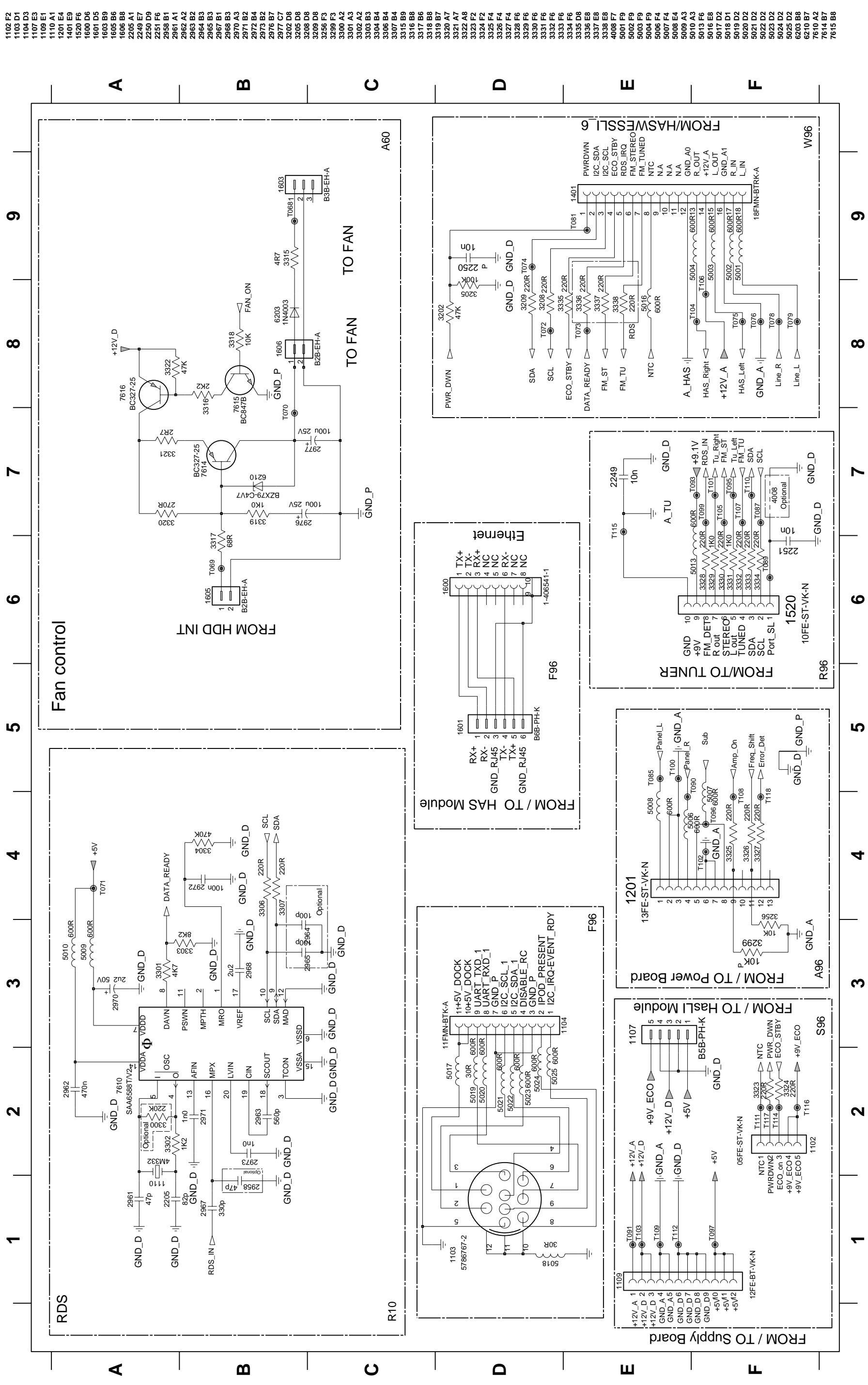
P...provision only

PB5 - AF BOARD - Circuit Diagram (Part2)(waC7000)



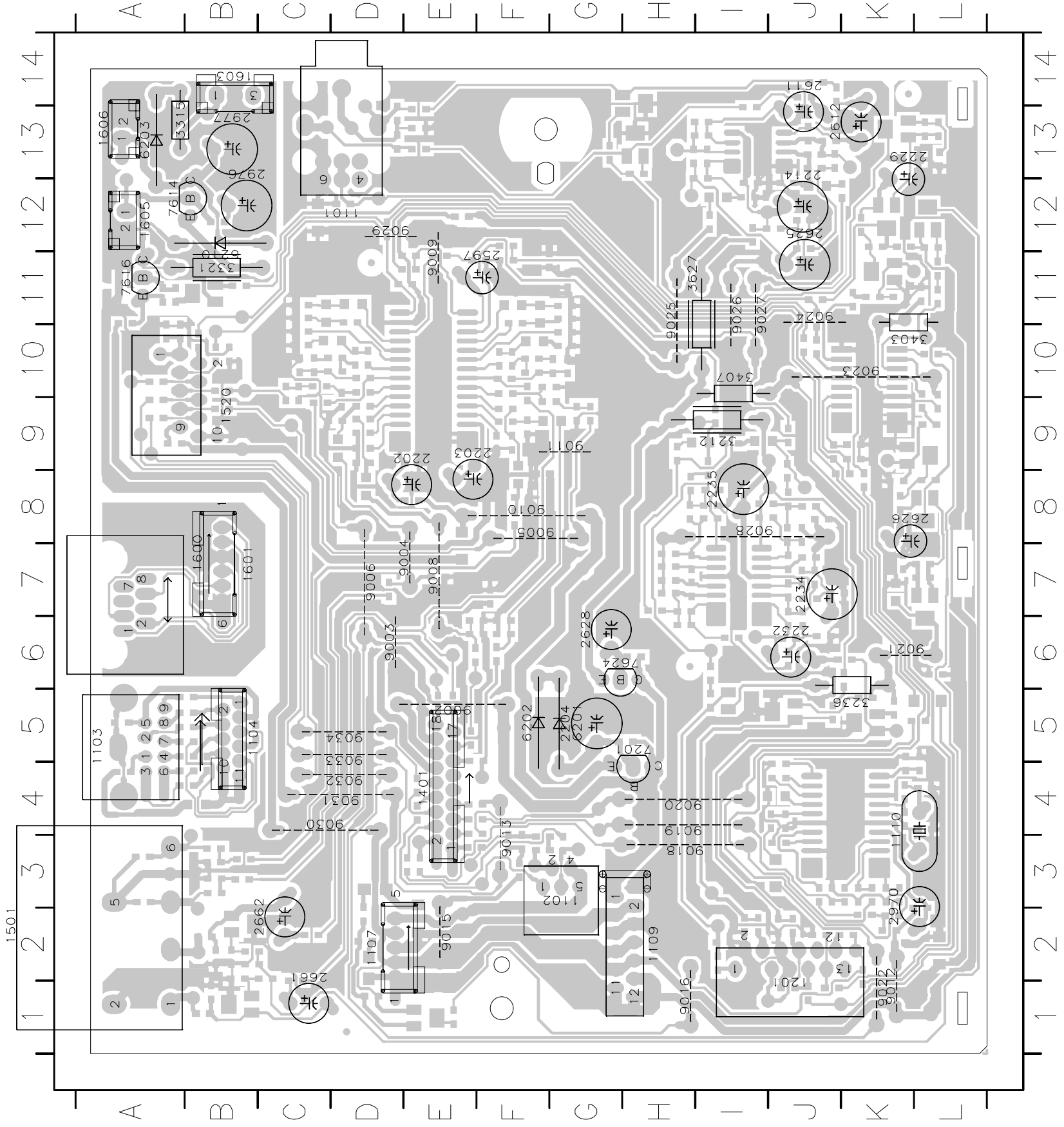
- | | |
|----------|-----------|
| 1101 G6 | 3615 F4 |
| 2209 G5 | 3616 H40 |
| 3612 F9 | 3617 F9 |
| 2213 B3 | 3623 E9 |
| 2214 M | 3624 E9 |
| 2215 D3 | 3625 E8 |
| 2216 D3 | 3626 F7 |
| 2217 B3 | 3627 H5 |
| 2218 B3 | 3628 M |
| 2219 A5 | 3629 M |
| 2220 A5 | 3631 H7 |
| 2221 A3 | 3640 H6 |
| 2222 A4 | 3641 C7 |
| 2223 E7 | 5403 G8 |
| 2224 D4 | 5404 H5 |
| 2225 G4 | 5405 G5 |
| 2226 G4 | 5406 B2 |
| 2227 A5 | 5407 B2 |
| 2228 H1 | 5621 B5 |
| 2229 H1 | 6211 B11 |
| 2230 B1 | 6212 B11 |
| 2231 B2 | 7202 H10 |
| 2232 A9 | 7203 H10 |
| 2233 A5 | 7204 H11 |
| 2234 E5 | 7205-1 D4 |
| 2235 C6 | 7205-2 A6 |
| 2236 C9 | 7205-3 A4 |
| 2237 B12 | 7205-4 C4 |
| 2238 D9 | 7206 A9 |
| 2401 F13 | 7207 C9 |
| 2402 F13 | 7208 C9 |
| 2403 F12 | 7209 B12 |
| 2603 F1 | 7403 F12 |
| 2604 H1 | 7403 F12 |
| 2605 F2 | 7601-1 H3 |
| 2606 I2 | 7601-2 F3 |
| 2607 F2 | 7603 G4 |
| 2608 H2 | 7604 H4 |
| 2609 G2 | 7621 D8 |
| 2610 H2 | 7622 D8 |
| 2611 F3 | 7623 F9 |
| 2612 H3 | 7624 C7 |
| 2620 H12 | T030 F9 |
| 2622 E8 | T031 B2 |
| 2624 I4 | T032 B5 |
| 2625 B4 | T033 D5 |
| 2626 B4 | T034 D5 |
| 2627 E5 | T037 F12 |
| 2628 D7 | T037 F12 |
| 2905 I3 | T038 G2 |
| 2922 H6 | T039 G2 |
| 3203 A2 | T040 G6 |
| 3204 E5 | T041 H6 |
| 3206 A9 | T042 H6 |
| 3207 B9 | T043 I4 |
| 3210 D9 | T044 H6 |
| 3211 A5 | T045 H10 |
| 3212 C6 | T046 I4 |
| 3213 B | T046 C6 |
| 3214 B | T048 C6 |
| 3215 H11 | T048 C6 |
| 3216 H11 | T052 D2 |
| 3217 H11 | T052 D2 |
| 3218 D3 | T053 C6 |
| 3219 C3 | |
| 3220 A4 | |
| 3221 A3 | |
| 3222 D4 | |
| 3223 D3 | |
| 3224 C4 | |
| 3225 C3 | |
| 3226 A3 | |
| 3227 A3 | |
| 3228 A3 | |
| 3229 B2 | |
| 3230 B2 | |
| 3231 B4 | |
| 3232 A1 | |
| 3233 A2 | |
| 3234 H10 | |
| 3235 A9 | |
| 3236 C9 | |
| 3237 D9 | |
| 3238 H10 | |
| 3239 E11 | |
| 3240 F12 | |
| 3241 E12 | |
| 3242 F12 | |
| 3243 F12 | |
| 3244 E12 | |
| 3245 B12 | |
| 3246 B12 | |
| 3247 B13 | |
| 3254 C10 | |
| 3255 D10 | |
| 3401 F13 | |
| 3402 F13 | |
| 3403 F12 | |
| 3406 E12 | |
| 3407 F11 | |
| 3408 F12 | |
| 3409 F12 | |
| 3601 F2 | |
| 3602 I2 | |
| 3603 G5 | |
| 3607 G2 | |
| 3608 H2 | |
| 3609 G2 | |
| 3610 G2 | |
| 3611 F4 | |
| 3612 H4 | |
| 3613 G4 | |
| 3614 H4 | |

PB5 - AF BOARD - Circuit Diagram (Part3)(waC7000)



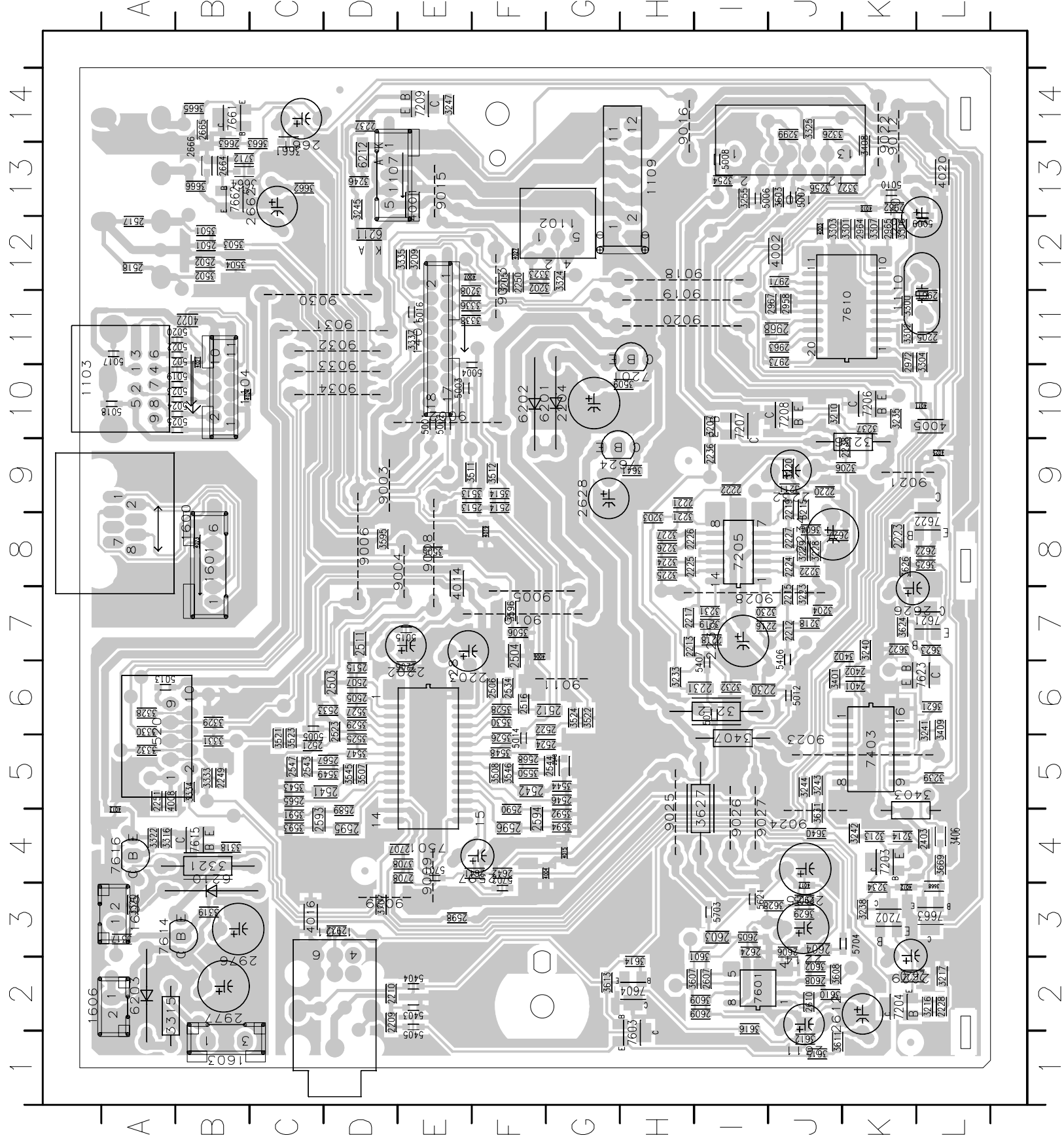
1102 F2
1103 D1
1104 D3
1107 E3
1108 E1
1110 A1
1201 E4
1401 E9
1520 F6
1600 D6
1601 D5
1603 B9
1605 B6
1606 B8
2249 E7
2250 D9
2251 F6
2958 B1
2961 A1
2962 A2
2963 B2
2964 B3
2965 B3
2967 B1
2968 B3
2970 A3
2971 B2
2972 B4
2973 B2
2976 B7
2977 C7
3202 D8
3205 D8
3208 D8
3209 D8
3299 F3
3300 A2
3301 A3
3302 A2
3303 B3
3304 B4
3306 B4
3307 B4
3315 B9
3316 B8
3317 B6
3318 B8
3319 B7
3320 A7
3321 A7
3322 A8
3323 F2
3324 F2
3325 F4
3326 F4
3327 F4
3328 F6
3329 F6
3330 F6
3331 F6
3332 F6
3333 F6
3334 F6
3335 D6
3336 E8
3337 E8
3338 E8
4008 F7
5001 F9
5002 F9
5004 F9
5006 F4
5007 F4
5008 E4
5009 A3
5010 A3
5013 A3
5016 E8
5017 D2
5018 D1
5019 D2
5020 D2
5021 D2
5022 D2
5023 D2
5024 D2
5025 D2
5026 D2
6203 B8
6210 B7
7610 A2
7614 B7
7615 B8

PB5 - AF BOARD - Layout Diagram (SideA)(waC7000)



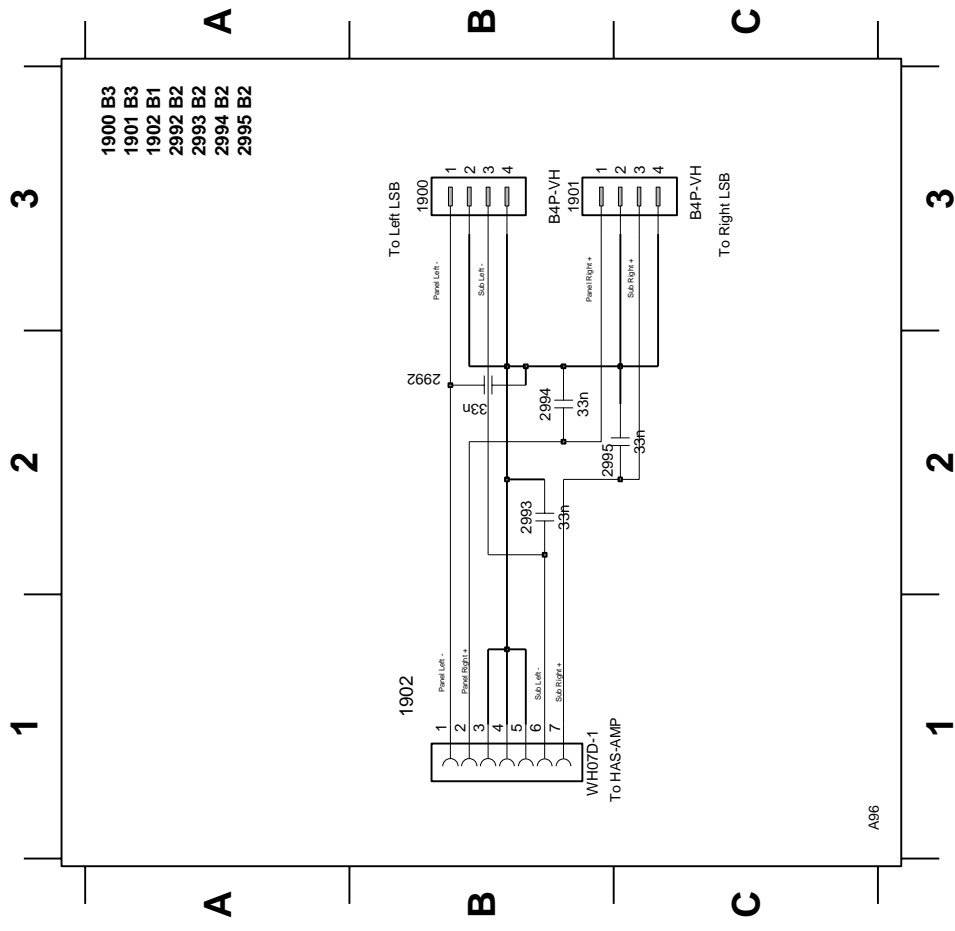
1101	D12	9016	H1
1102	G3	9018	H3
1103	A5	9019	H4
1104	B5	9020	H4
1107	D2	9021	K6
1109	H2	9022	K1
1110	K4	9023	K10
1201	J1	9024	J11
1401	E4	9025	H11
1520	B9	9026	I11
1600	B7	9027	I11
1601	B7	9028	I8
1603	B14	9029	D12
1605	A12	9030	C4
1606	A13	9031	D4
2202	E9	9032	D4
2203	E9	9033	D5
2204	G5	9034	D5
2214	J13		
2229	K13		
2232	J6		
2234	J7		
2235	I8		
2597	F11		
2611	J14		
2612	J13		
2625	J12		
2626	K8		
2628	G6		
2661	C2		
2662	C2		
2970	K3		
2976	B13		
2977	B13		
3212	I9		
3236	K5		
3315	A13		
3321	B11		
3403	K10		
3407	I10		
3627	H11		
6201	G5		
6202	F5		
6203	A13		
6210	B11		
7201	H5		
7614	A12		
7616	A11		
7624	G6		
9002	E5		
9003	D6		
9004	E7		
9005	F8		
9006	D7		
9008	E7		
9009	E11		
9010	F8		
9011	G9		
9012	K1		
9013	F3		
9015	E2		

PB5 - AF BOARD - Layout Diagram (SideB)(waC7000)

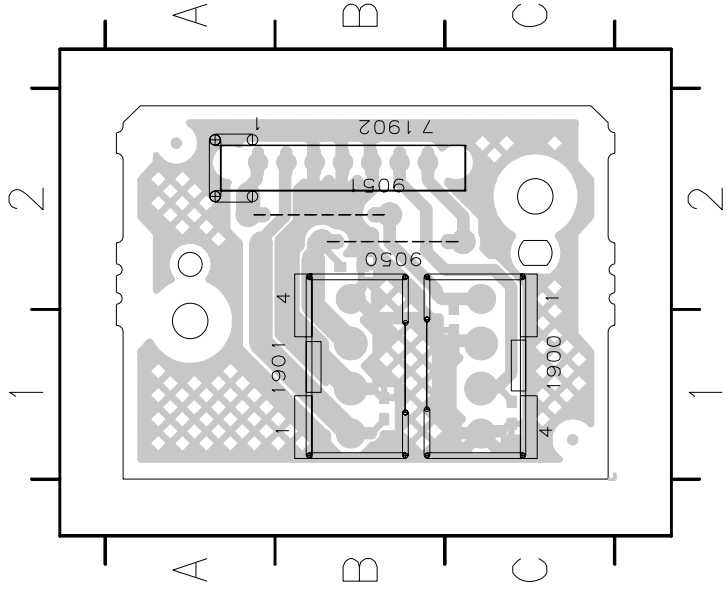


2205	L11	2568	F5	3223	J7	3409	L6	3640	J4	5025	B10
2206	E6	2589	D4	3224	H8	3501	B12	3641	H9	5403	E2
2209	D2	2590	F4	3225	H8	3502	B12	3641	H9	5404	E2
2210	D2	2593	F4	3226	H8	3503	B12	3662	C13	5405	E1
2212	J7	2594	F4	3227	H8	3504	B12	3663	C13	5406	J7
2213	H7	2595	D4	3228	J8	3505	E8	3664	B13	5407	I6
2215	J7	2596	F4	3229	J8	3506	F7	3665	B14	5621	I3
2216	I7	2598	E3	3230	I7	3507	D5	3666	B13	5701	E4
2217	H7	2603	I3	3231	I7	3508	F5	3668	L3	5702	F4
2218	I7	2604	J3	3232	I6	3509	H10	3669	L4	5703	I3
2219	J9	2605	I3	3233	H6	3511	E9	3707	D3	5704	K3
2220	J9	2606	J3	3234	K3	3512	F9	3708	E4	6211	D12
2221	H9	2607	J2	3235	K10	3513	E9	3712	B13	6212	D13
2222	I9	2608	J2	3237	K10	3514	F9	4001	E13	7202	K3
2223	K8	2609	I2	3238	K3	3521	C5	4002	J12	7203	K4
2224	H8	2610	J2	3239	L5	3522	G6	4003	J12	7204	K2
2225	H8	2620	K2	3240	K7	3523	C5	4004	F4	7205	I8
2226	H8	2622	L8	3241	L6	3524	G6	4005	L10	7206	K10
2227	J8	2624	I3	3242	K4	3525	D5	4006	F7	7207	I10
2228	L2	2627	J8	3243	J5	3526	F5	4007	E12	7208	J10
2230	I6	2641	F4	3244	J5	3527	D6	4008	A5	7209	E14
2231	I6	2642	F4	3245	D13	3528	F6	4010	K13	7403	K5
2236	I9	2663	B13	3246	D13	3529	D6	4011	L10	7501	E4
2237	D14	2664	B13	3247	E14	3530	F6	4012	K3	7601	I2
2238	K9	2665	B14	3254	I13	3543	C5	4013	A4	7603	H1
2249	B5	2666	B13	3255	I13	3544	G5	4014	E8	7604	H2
2250	F12	2707	E4	3256	J13	3545	D5	4015	G4	7610	K11
2251	A5	2708	E4	3299	J4	3546	F5	4016	C3	7615	B4
2401	K6	2905	J3	3300	K11	3547	D5	4017	J3	7621	L7
2402	K6	2922	D3	3301	K12	3548	F5	4019	F8	7622	L8
2403	L4	2958	J11	3302	K11	3549	D5	4020	L13	7623	L6
2501	B12	2961	L11	3303	J12	3550	F5	4021	B11	7661	B14
2502	B12	2962	K13	3304	L11	3591	C4	4022	B11	7662	B13
2503	D6	2963	J11	3306	K12	3592	G4	4023	B8	7663	L3
2504	F7	2964	K12	3307	K12	3593	C4	4024	B10		
2505	D6	2965	K12	3316	A4	3594	G4	4025	L9		
2506	F6	2967	J11	3317	A3	3595	D8	4027	F12		
2507	D6	2968	J11	3318	B4	3596	F7	5001	E10		
2511	D7	2971	J12	3319	B3	3601	I2	5002	E10		
2512	G6	2972	K11	3320	A3	3602	J2	5003	E10		
2513	E9	2973	J11	3322	A4	3603	J13	5004	E10		
2514	F9	3202	F12	3323	F12	3604	J8	5005	C5		
2515	D6	3203	H8	3324	G12	3607	H2	5006	I13		
2516	F6	3204	J7	3325	J14	3608	J2	5007	J13		
2517	A12	3205	F12	3326	J14	3609	I2	5008	I13		
2518	A12	3206	K9	3327	K13	3610	J2	5009	L12		
2521	C5	3207	I10	3328	A6	3611	J1	5010	K13		
2522	F6	3208	E11	3329	B6	3612	J1	5011	I6		
2523	D6	3209	E12	3330	A6	3613	G2	5012	J6		
2524	F5	3210	J10	3331	B5	3614	H2	5013	A6		
2533	D6	3211	J9	3332	A5	3615	J1	5014	F5		
2534	F6	3213	K4	3333	B5	3616	I2	5015	E7		
2541	D5	3214	K4	3334	B5	3621	L6	5016	E11		
2542	F5	3215	J9	3335	E12	3622	K7	5017	A11		
2543	C5	3216	L2	3336	E11	3623	L7	5018	A10		
2544	G5	3217	L2	3337	E11	3624	K7	5019	B10		
2546	G5	3218	J7	3338	E11	3625	L8	5020	B11		
2547	C5	3219	I7	3401	J6	3626	K8	5021	B11		
2548	G5	3220	J9	3402	K7	3628	J3	5022	B10		
2565	C5	3221	H8	3406	L4	3629	J3	5023	B10		
2567	D5	3222	H8	3408	K13	3631	J4	5024	B10		

PB9 - AMP SOCKET(waC7000)

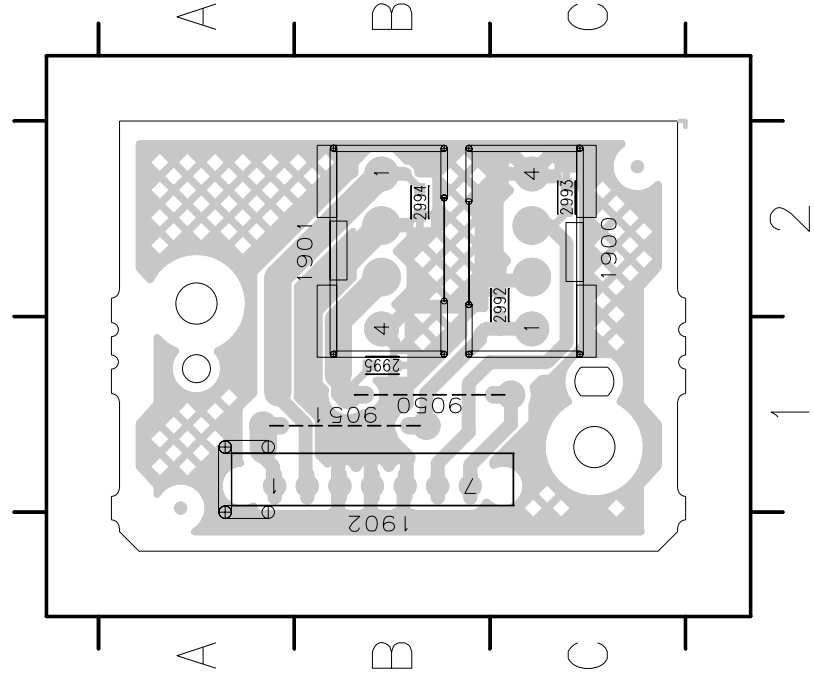


1900 C1
1901 B1
1902 B2
9050 B2



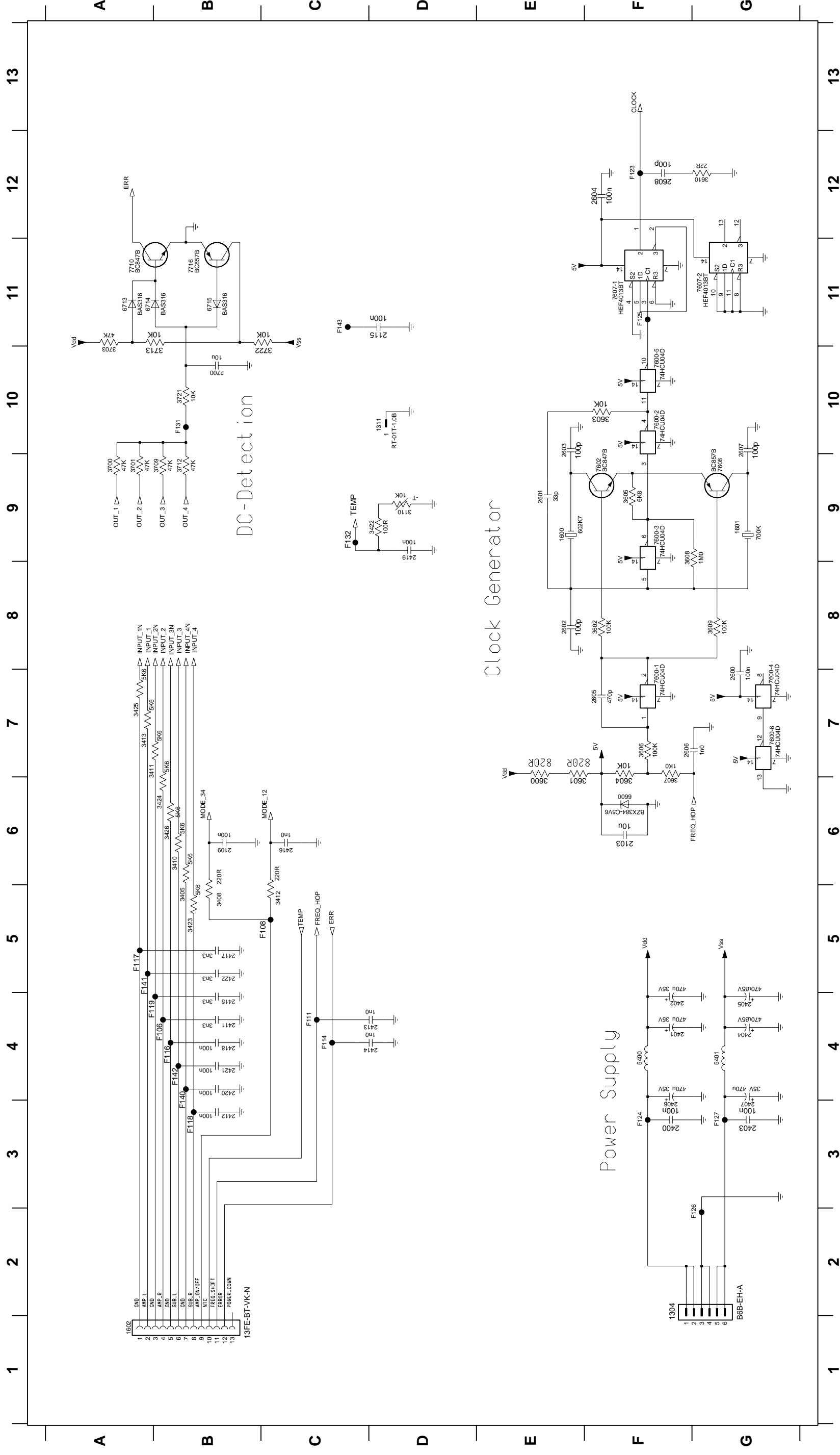
A96

2992 C2
2993 C2
2994 B1
2995 B1

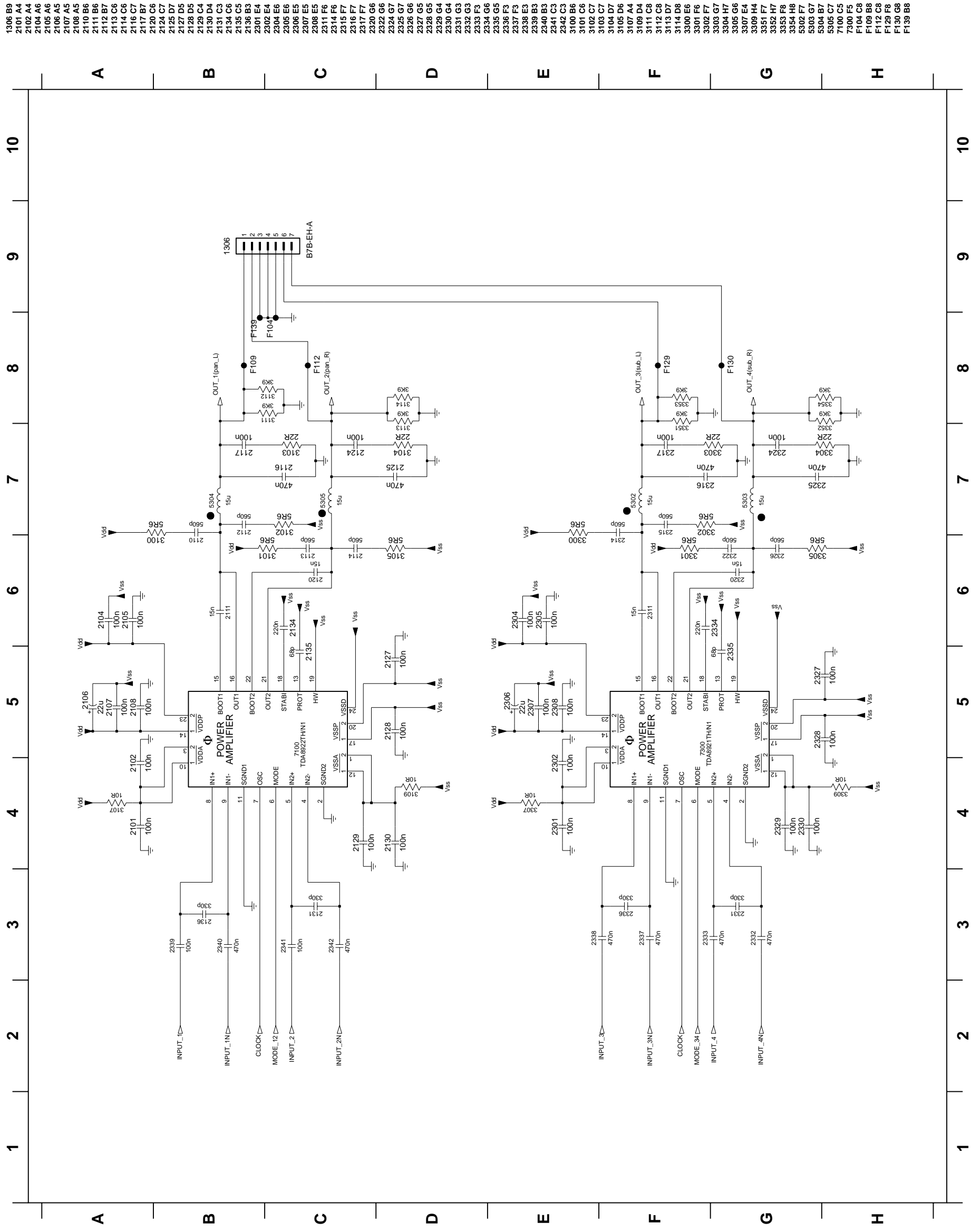


AMPLIFIER BOARD - Circuit Diagram (part 1)(waC7000)

1304 F1	2103 F6	2403 F4	2407 F3	2415 B4	2420 B4	2602 E8	2607 G10	3408 B5	3422 D9	3605 F9	3610 G12	3712 B9	5401 G4	7600-6 G7	7710 A11	F114 C4	F131 B10	F143 C11
1311 D10	2109 B6	2403 G3	2411 B4	2416 C6	2421 B4	2603 E10	2608 F12	3410 B6	3423 B5	3606 F7	3700 A9	3713 B10	6600 F6	7602 F9	7716 B11	F116 B4	F123 F12	F132 C9
1600 E9	2115 D11	2404 G4	2412 B3	2417 B5	2422 B5	2604 F12	2700 B10	3411 A7	3424 B6	3607 F6	3701 A9	3721 B10	6713 A11	7600-3 F10	7607-1 F11	F106 B4	F124 F3	F140 B4
1601 G9	2400 F3	2405 G4	2413 D4	2418 B4	2425 B7	2605 F7	3110 D9	3425 A7	3426 A7	3608 F9	3703 A10	3722 C10	6714 A11	7600-4 G8	7607-2 G11	F108 C5	F125 G2	F141 A5
1602 A1	2401 F4	2406 F3	2414 D4	2419 D9	2601 E9	2606 F7	3405 B6	3413 A7	3426 B6	3609 G8	3709 B9	5400 F4	6715 B11	7600-5 F10	7608 G9	F111 C4	F127 G3	F142 B4

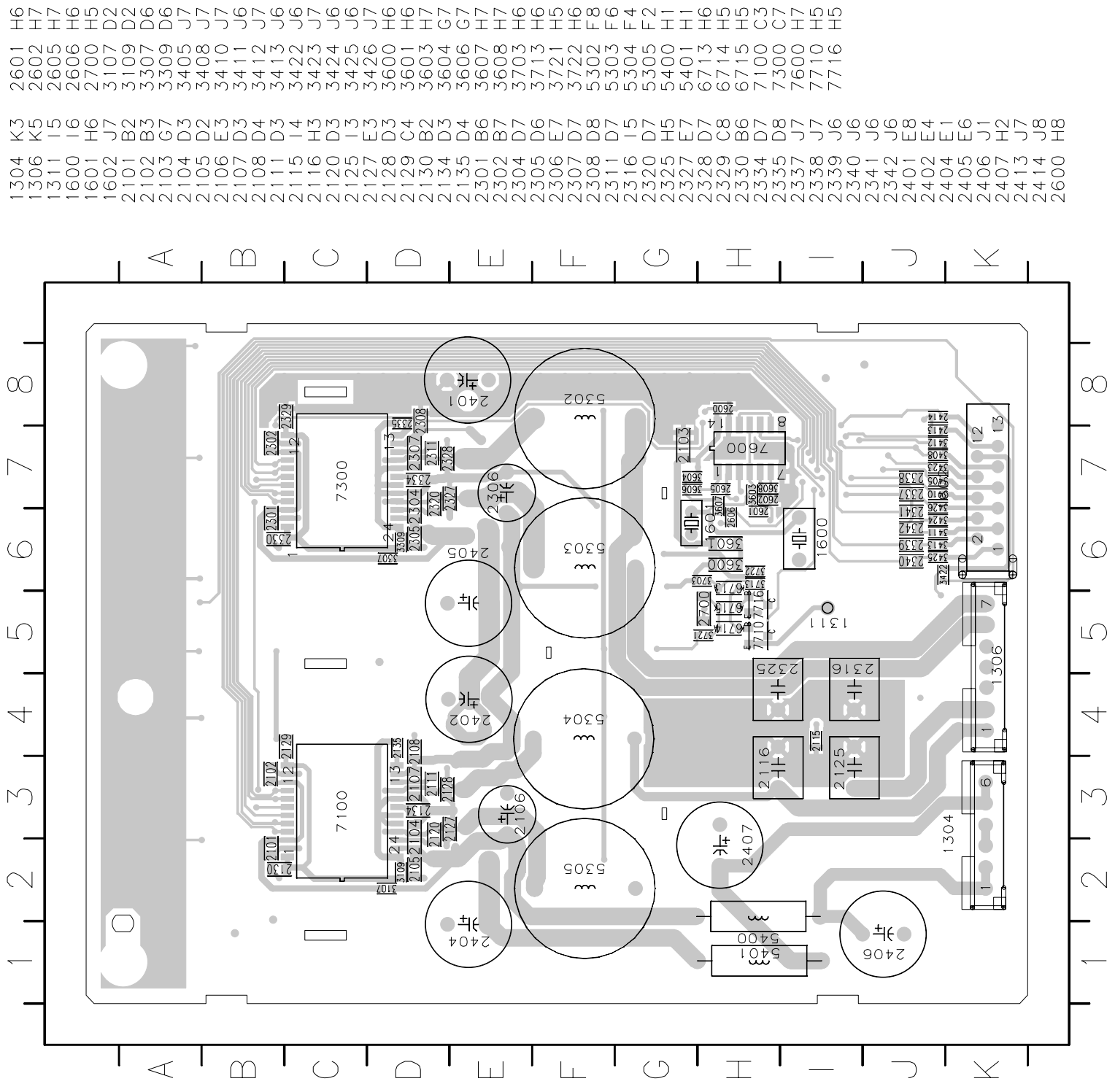


AMPLIFIER BOARD - Circuit Diagram (part 2)(waC7000)



- 1306 B9
- 2101 A4
- 2102 A4
- 2104 A6
- 2105 A6
- 2106 A5
- 2107 A5
- 2108 A5
- 2110 B6
- 2111 B6
- 2112 B7
- 2113 C6
- 2114 C6
- 2116 C7
- 2117 B7
- 2120 C6
- 2124 C7
- 2125 D7
- 2127 D5
- 2128 D5
- 2129 C4
- 2130 D4
- 2131 C3
- 2134 C6
- 2135 C5
- 2136 B3
- 2301 E4
- 2302 E4
- 2304 E6
- 2305 E6
- 2306 E5
- 2307 E5
- 2308 E5
- 2311 F6
- 2314 F6
- 2315 F7
- 2316 F7
- 2317 F7
- 2320 G6
- 2322 G6
- 2324 G7
- 2325 G7
- 2326 G6
- 2327 G5
- 2328 G5
- 2329 G4
- 2330 G4
- 2331 G3
- 2332 G3
- 2333 F3
- 2334 G6
- 2335 G5
- 2336 F3
- 2337 F3
- 2338 E3
- 2339 B3
- 2340 B3
- 2341 C3
- 2342 C3
- 3100 B6
- 3101 C6
- 3102 C7
- 3103 C7
- 3104 D7
- 3105 D6
- 3107 A4
- 3109 D4
- 3111 C8
- 3112 C8
- 3113 D7
- 3114 D8
- 3300 E6
- 3301 F6
- 3302 F7
- 3303 G7
- 3304 H7
- 3305 G6
- 3307 E4
- 3309 H4
- 3351 F7
- 3352 H7
- 3353 F8
- 3354 H8
- 5302 F7
- 5303 G7
- 5304 B7
- 5305 C7
- 7100 C5
- 7300 F5
- F104 C8
- F109 B8
- F112 C8
- F129 F8
- F130 G8
- F139 B8

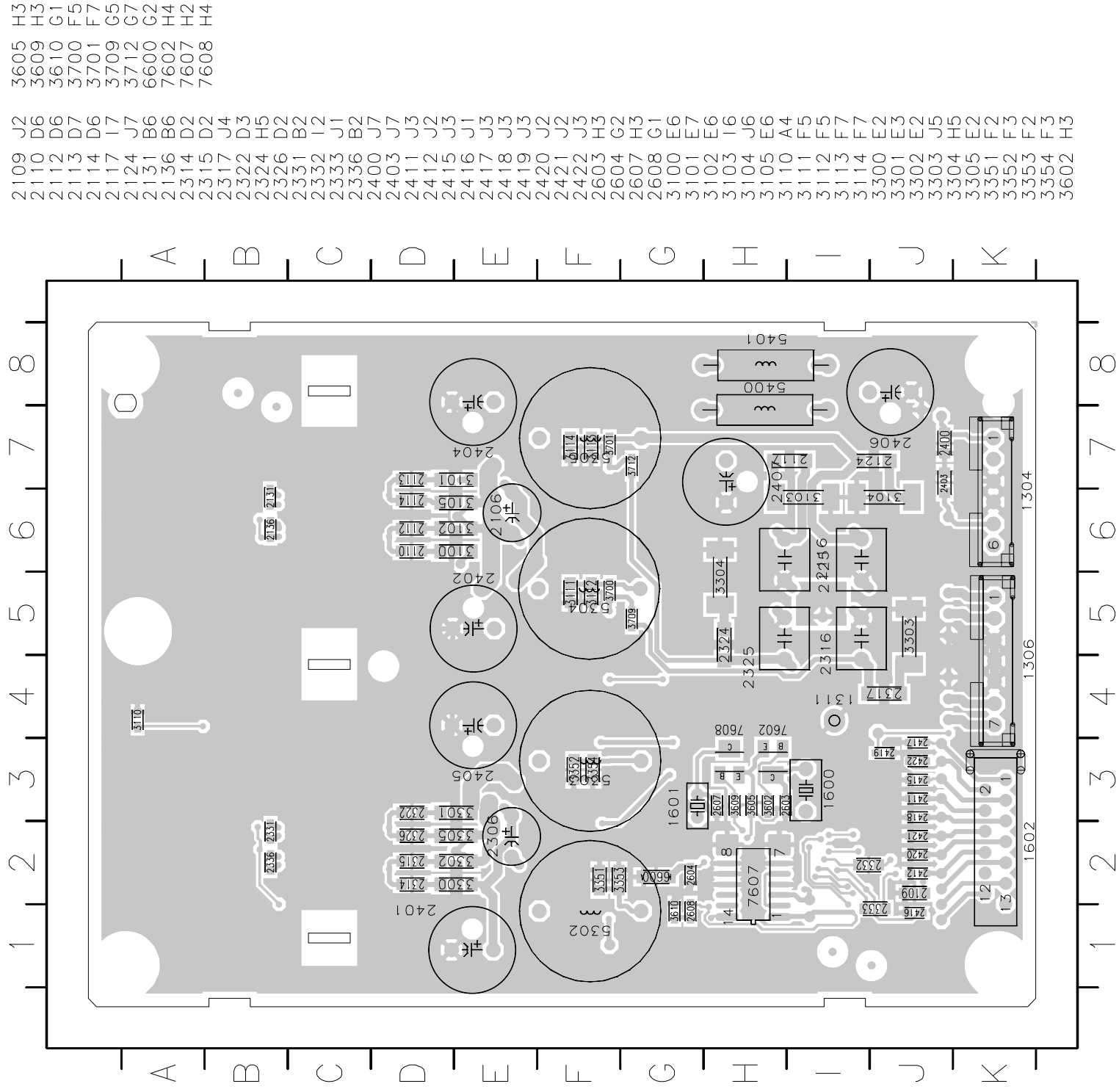
AMPLIFIER BOARD - Layout Diagram (side A)(waC7000)



1304 K3
 1306 K5
 1311 I5
 1600 I6
 1601 H6
 1602 J7
 2101 B2
 2102 B3
 2103 G7
 2104 D3
 2105 D2
 2106 E3
 2107 D3
 2108 D4
 2111 D3
 2115 I4
 2116 H3
 2120 D3
 2125 I3
 2127 E3
 2128 D3
 2129 C4
 2130 B2
 2134 D3
 2135 D4
 2301 B6
 2302 B7
 2304 D7
 2305 D6
 2306 E7
 2307 D7
 2308 D8
 2311 D7
 2316 I5
 2320 D7
 2325 H5
 2327 E7
 2328 D7
 2329 C8
 2330 B6
 2334 D7
 2335 D8
 2337 J7
 2338 J7
 2339 J6
 2340 J6
 2341 J6
 2342 J6
 2401 E8
 2402 E4
 2404 E1
 2405 E6
 2406 J1
 2407 H2
 2413 J7
 2414 J8
 2600 H8

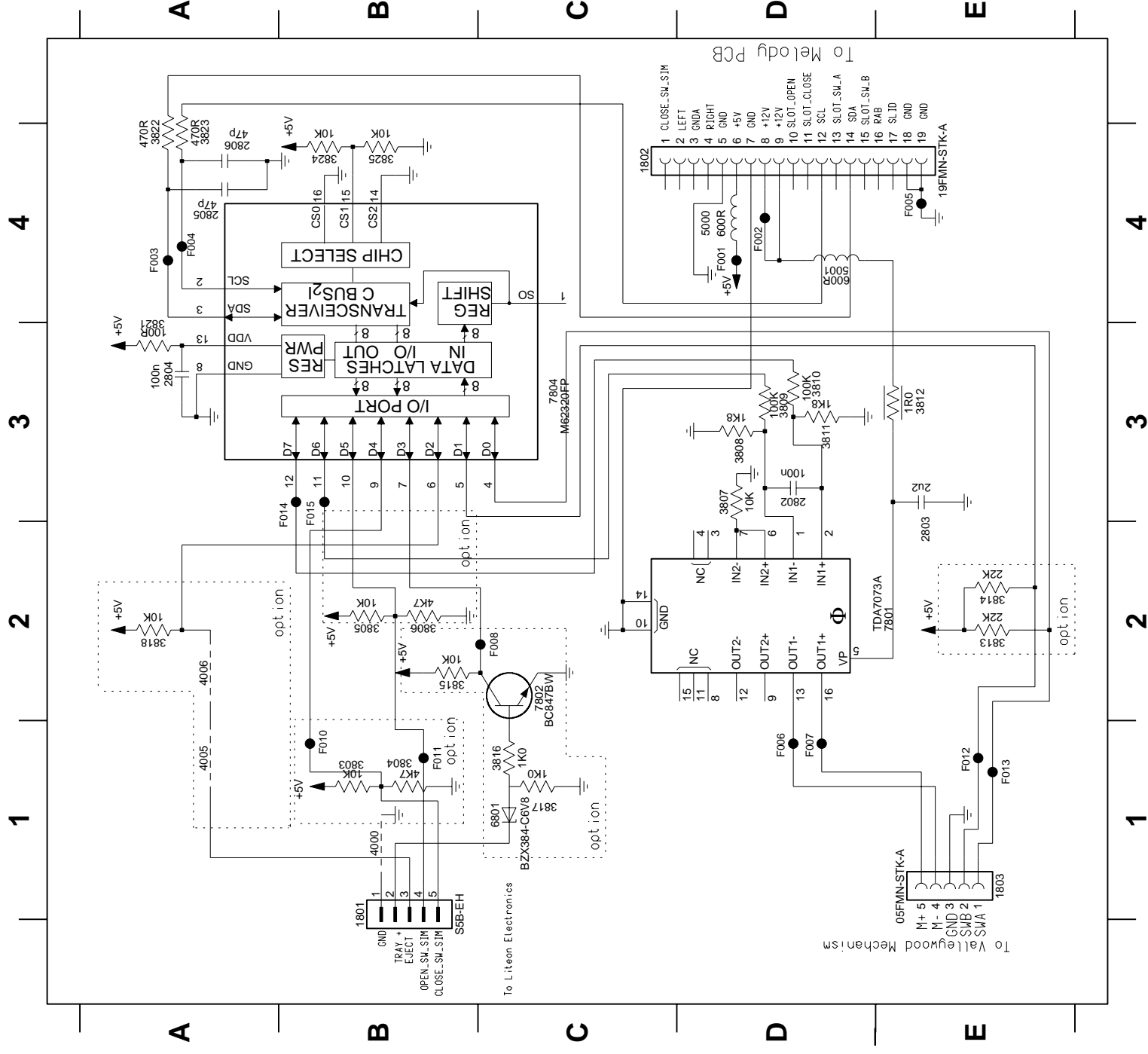
2601 H6
 2602 H7
 2605 H7
 2606 H6
 2700 H5
 3107 D2
 3109 D2
 3307 D6
 3309 D6
 3405 J7
 3408 J7
 3410 J7
 3411 J6
 3412 J7
 3413 J6
 3422 J6
 3423 J7
 3424 J6
 3425 J6
 3426 J7
 3600 H6
 3601 H6
 3603 H7
 3604 G7
 3606 G7
 3607 H7
 3608 H7
 3703 H6
 3713 H6
 3721 H5
 3722 H6
 5302 F8
 5303 F6
 5304 F4
 5305 F2
 5400 H1
 5401 H1
 6713 H6
 6714 H5
 6715 H5
 7100 C3
 7300 C7
 7600 H7
 7710 H5
 7716 H5

AMPLIFIER BOARD - Layout Diagram (side B)(waC7000)



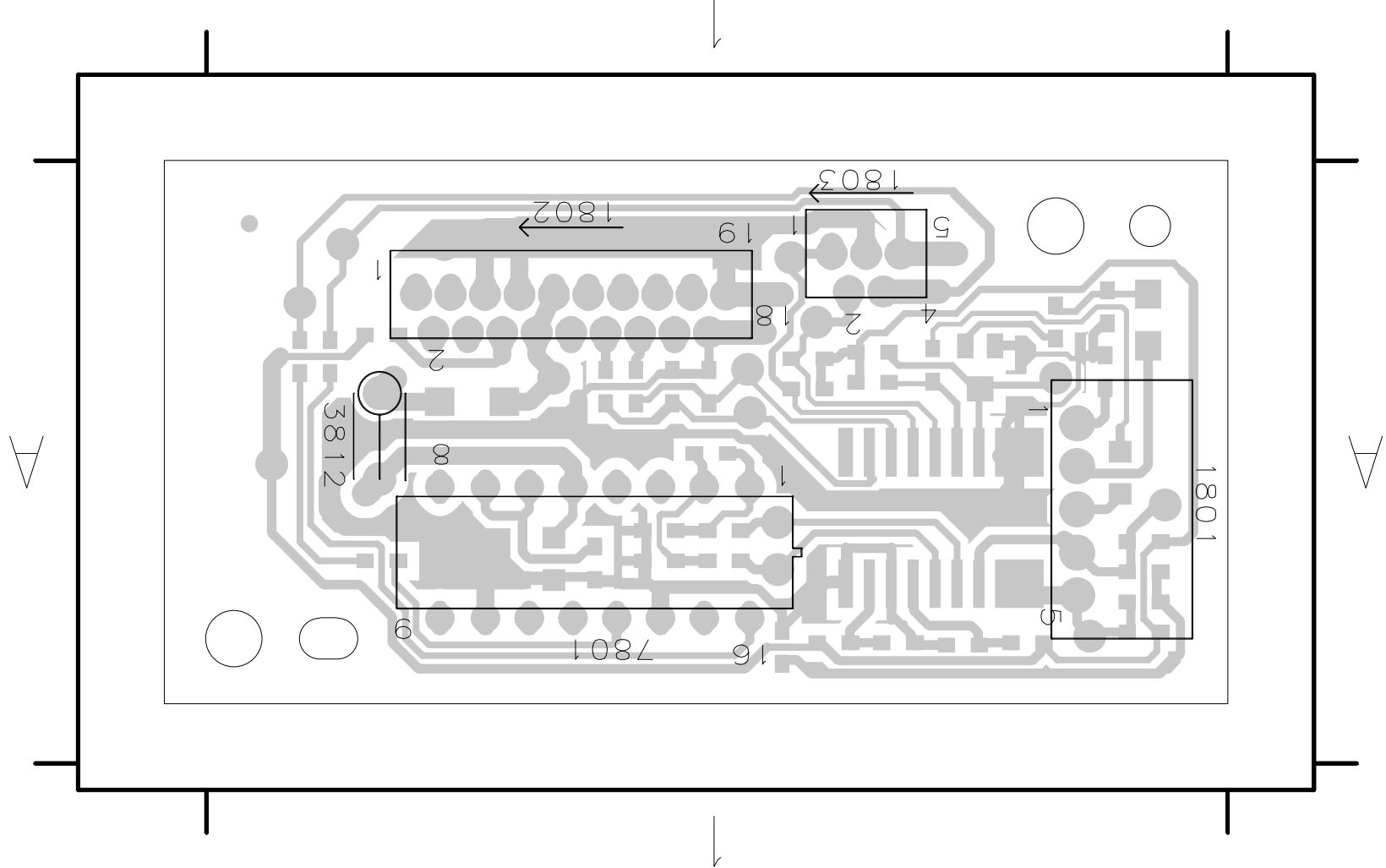
SLOT DVD LOADER CONTROL BOARD - Circuit Diagram (waC7000)

- | | | | | | | | | | | | | |
|---------|---------|---------|---------|---------|---------|---------|---------|---------|---------|---------|---------|---------|
| 1801 B1 | 2803 E2 | 3803 B1 | 3807 D3 | 3811 D3 | 3815 B2 | 3821 A4 | 3825 B4 | 5000 D4 | 7802 C2 | F003 A4 | F007 D1 | F012 E1 |
| 1802 C4 | 2804 A3 | 3804 B1 | 3808 D3 | 3812 E3 | 3816 C1 | 3822 A4 | 4000 B1 | 5001 C4 | 7804 C3 | F004 A4 | F008 C2 | F013 E1 |
| 1803 E1 | 2805 A4 | 3805 B2 | 3809 D3 | 3813 E2 | 3817 C1 | 3823 A4 | 4005 A1 | 5001 C1 | F001 D4 | F005 E4 | F010 B1 | F014 B3 |
| 2802 D3 | 2806 A4 | 3806 B2 | 3810 D3 | 3814 E2 | 3818 A2 | 3824 B4 | 4006 A2 | 7801 E2 | F002 D4 | F006 D1 | F011 B1 | F015 B3 |



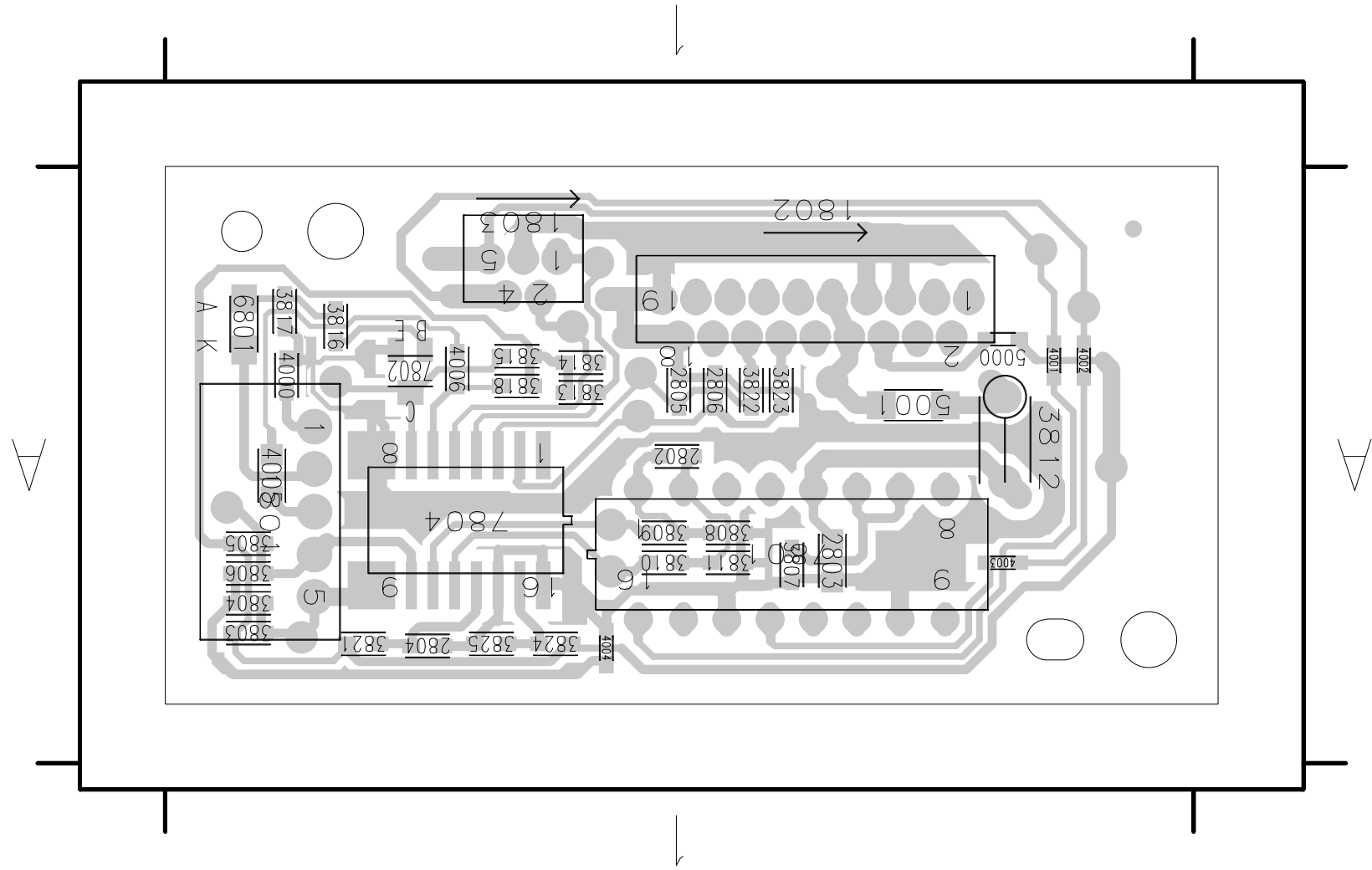
SLOT DVD LOADER CONTROL BOARD - Layout Diagram (waC7000)

SIDE A



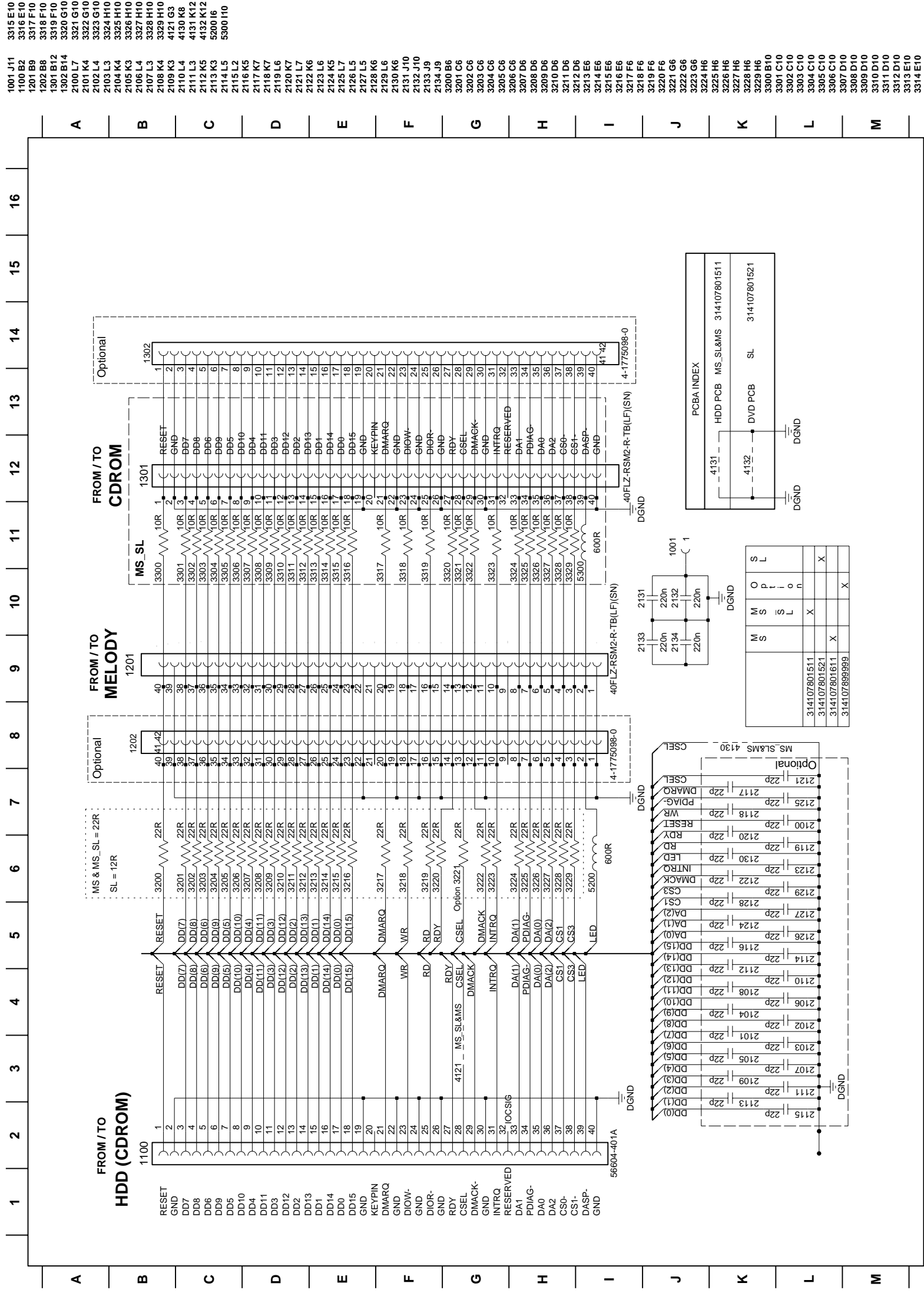
1
 2
 3
 4
 5
 6
 7
 8
 9
 10
 A
 B
 C
 D
 E
 F
 G
 H
 I
 J
 K

SIDE B



1
 2
 3
 4
 5
 6
 7
 8
 9
 10
 A
 B
 C
 D
 E
 F
 G
 H
 I
 J
 K

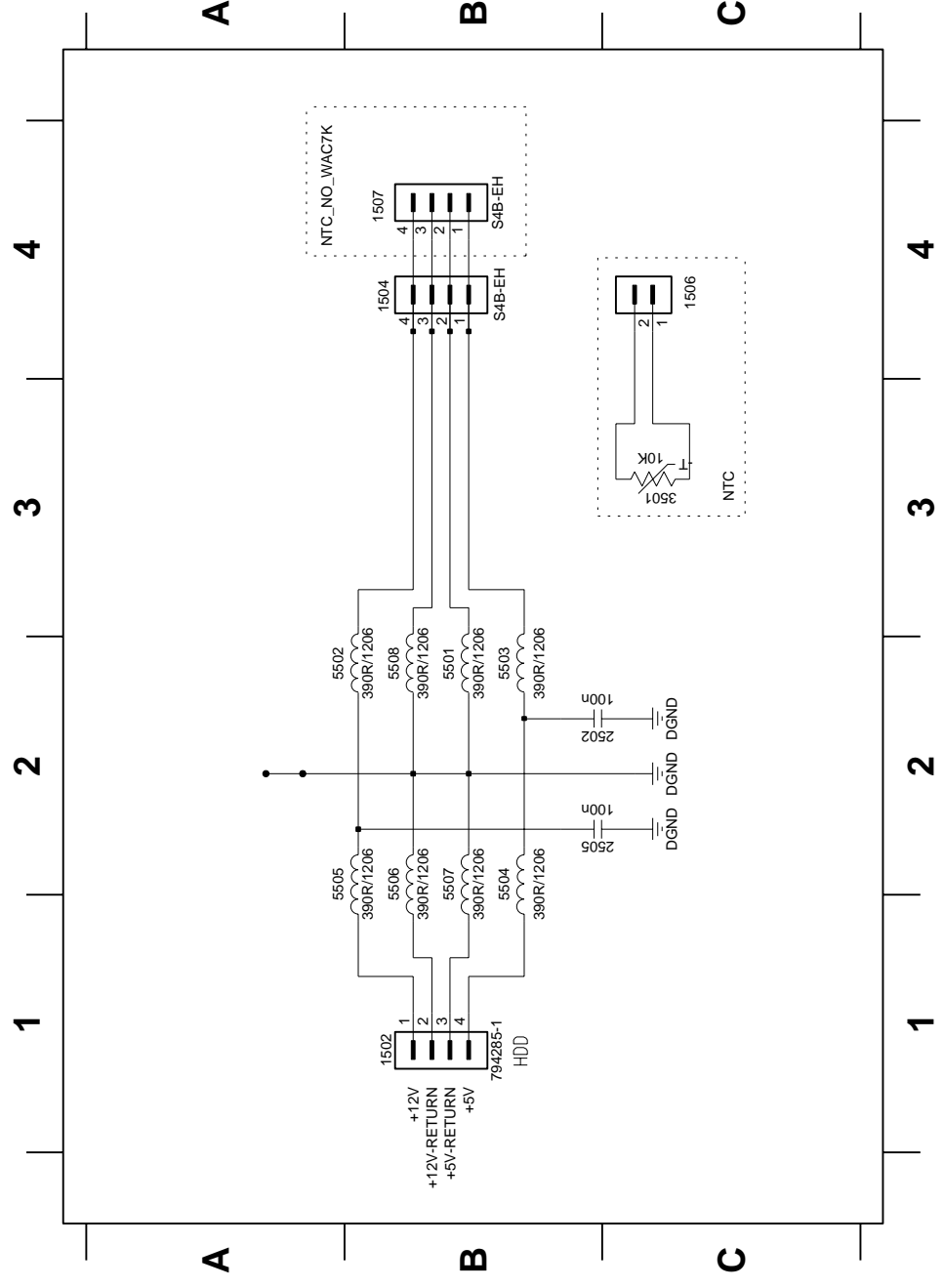
PB - ATA - MS/SL Interface - Circuit Diagram (waC7000)



- 1001 J11
- 1100 B2
- 1201 B9
- 1202 B8
- 1301 B12
- 1302 B14
- 2100 L7
- 2101 K4
- 2102 L4
- 2103 L3
- 2104 K4
- 2105 K3
- 2106 L4
- 2107 L3
- 2108 K4
- 2109 K3
- 2110 L4
- 2111 L3
- 2112 K3
- 2113 K3
- 2114 L5
- 2115 L2
- 2116 K5
- 2117 K7
- 2118 K7
- 2119 L6
- 2120 K7
- 2121 L7
- 2122 K6
- 2123 L6
- 2124 K5
- 2125 L7
- 2126 L5
- 2127 L5
- 2128 K6
- 2129 L6
- 2130 K6
- 2131 J10
- 2132 J10
- 2133 J9
- 2134 J9
- 3200 B6
- 3201 C6
- 3202 C6
- 3203 C6
- 3204 C6
- 3205 C6
- 3206 C6
- 3207 D6
- 3208 D6
- 3209 D6
- 3210 D6
- 3211 D6
- 3212 D6
- 3213 E6
- 3214 E6
- 3215 E6
- 3216 E6
- 3217 F6
- 3218 F6
- 3219 F6
- 3220 F6
- 3221 G6
- 3222 G6
- 3223 G6
- 3224 H6
- 3225 H6
- 3226 H6
- 3227 H6
- 3228 H6
- 3229 H6
- 3300 B10
- 3301 C10
- 3302 C10
- 3303 C10
- 3304 C10
- 3305 C10
- 3306 C10
- 3307 D10
- 3308 D10
- 3309 D10
- 3310 D10
- 3311 D10
- 3312 D10
- 3313 E10
- 3314 E10

PB - ATA - PW Interface - Circuit Diagram (waC7000)

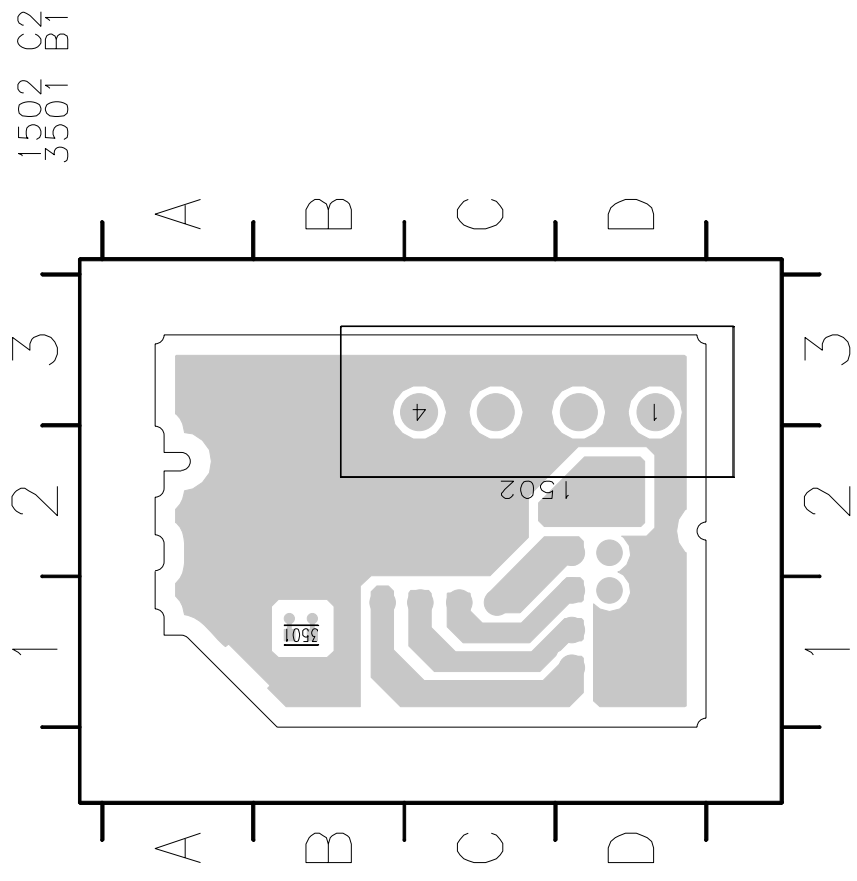
1502 B1 1506 C4 2502 B2 3501 C3 5502 A2 5504 B2 5506 B2 5508 B2
 1504 B4 1507 B4 2505 B2 5505 B2 5503 B2 5505 A2 5507 B2



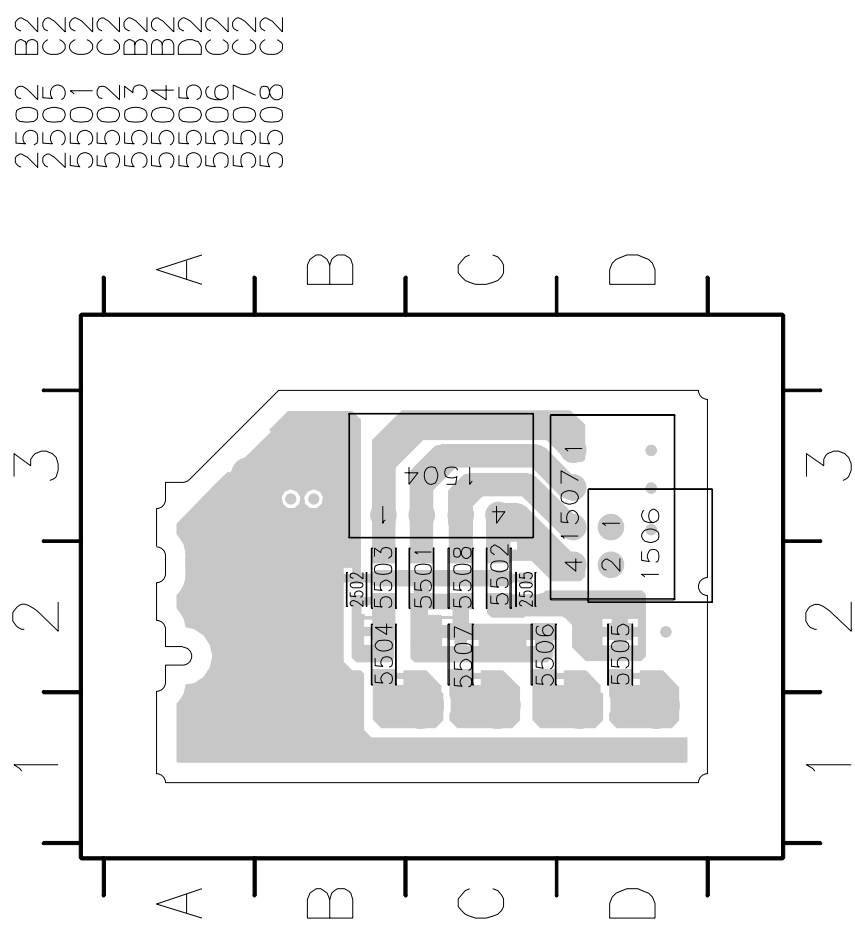
	Z-C					
	Z-C					
	Z-C					
314107801831		X	X			
314107801831		X	X			
314107801841		X	X			

PB - ATA - PW Interface - Layout Diagram (waC7000)

SIDE A

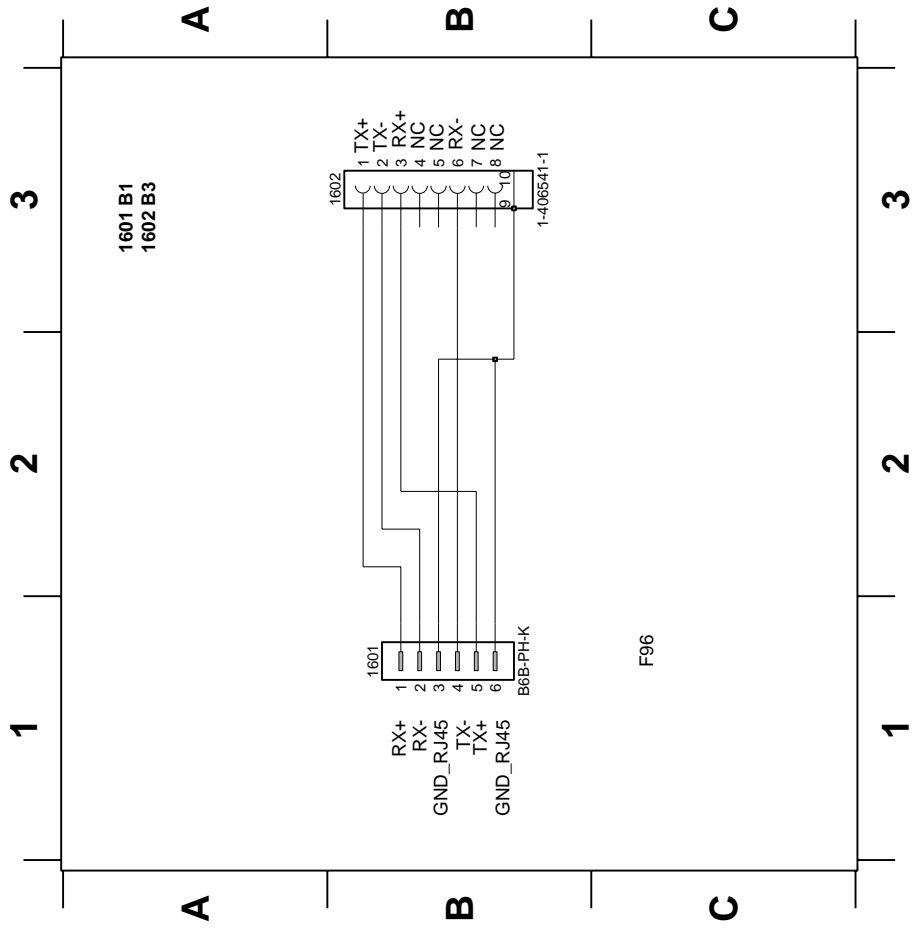


SIDE B

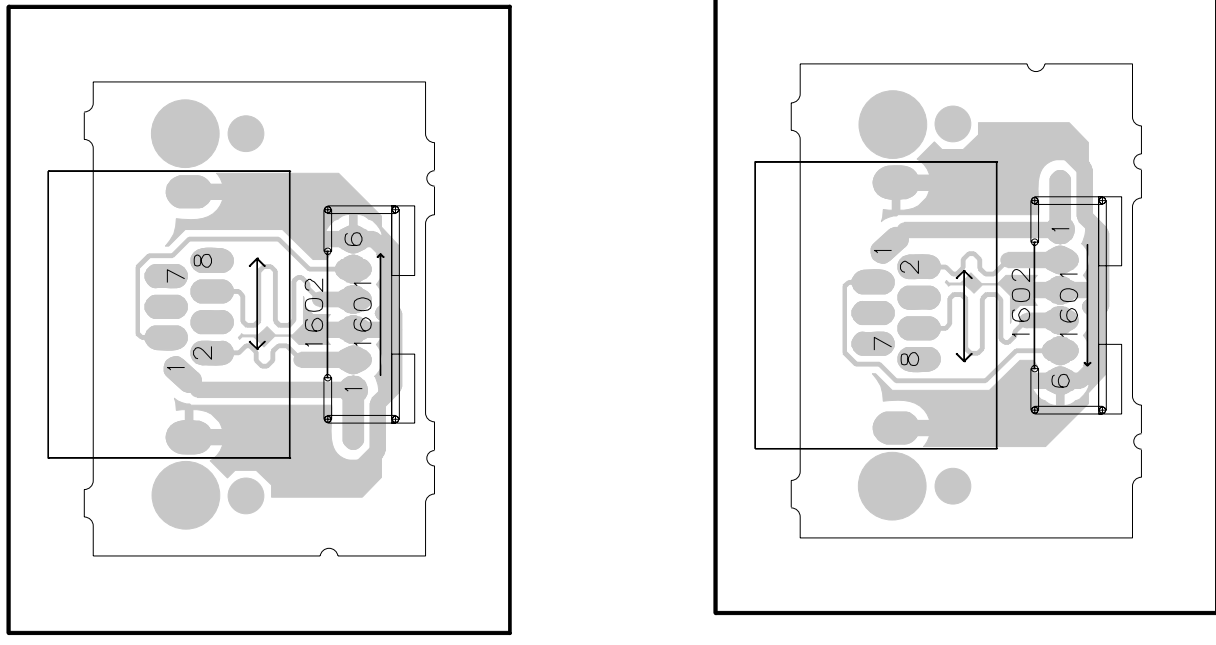


PB9 - Ethernet Interface (waS7000)

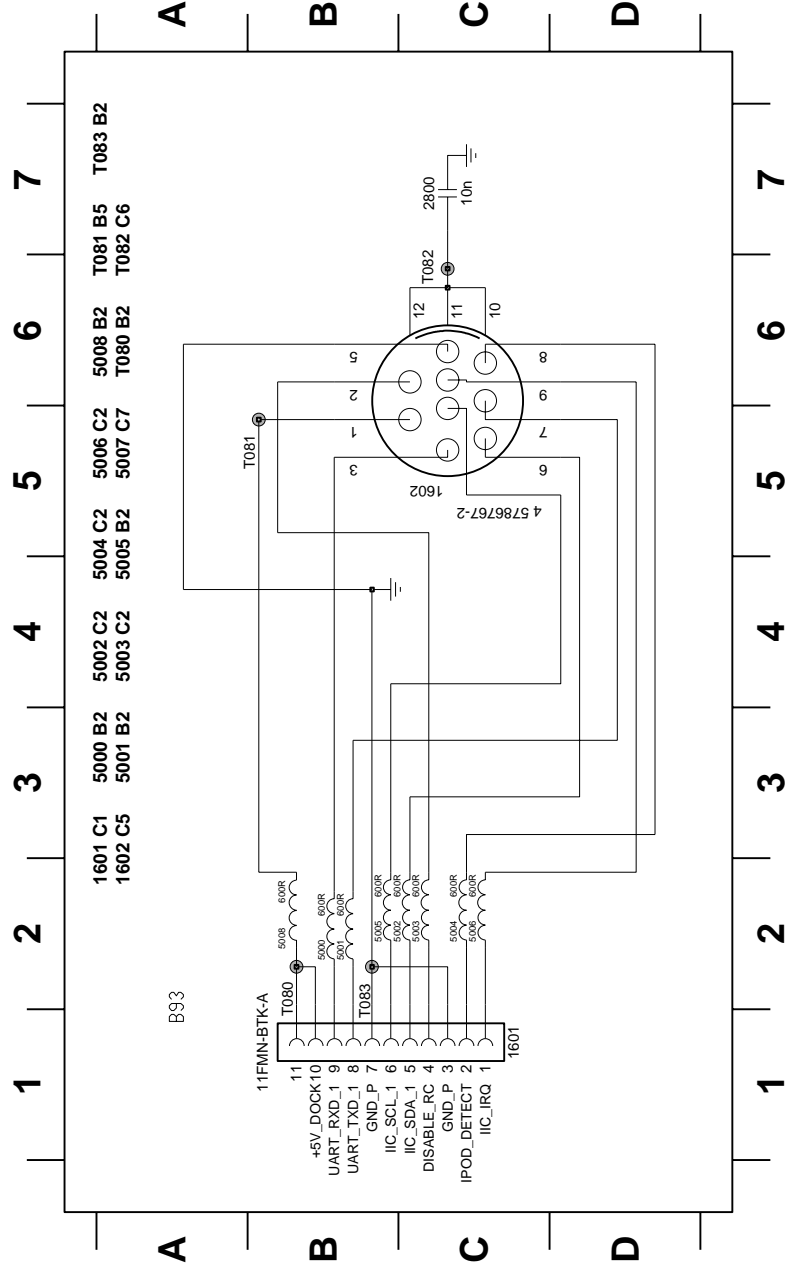
Circuit diagram



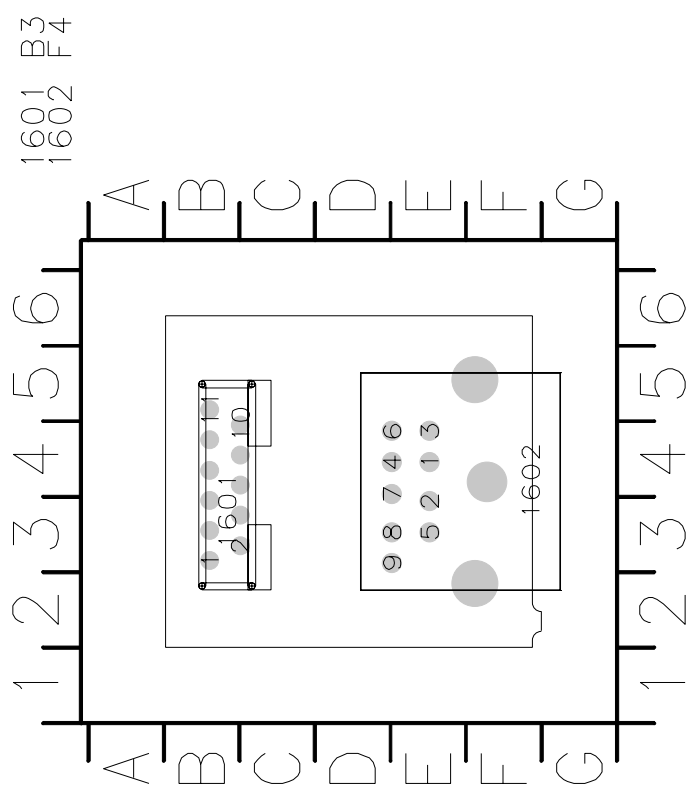
Layout diagram



Circuit diagram

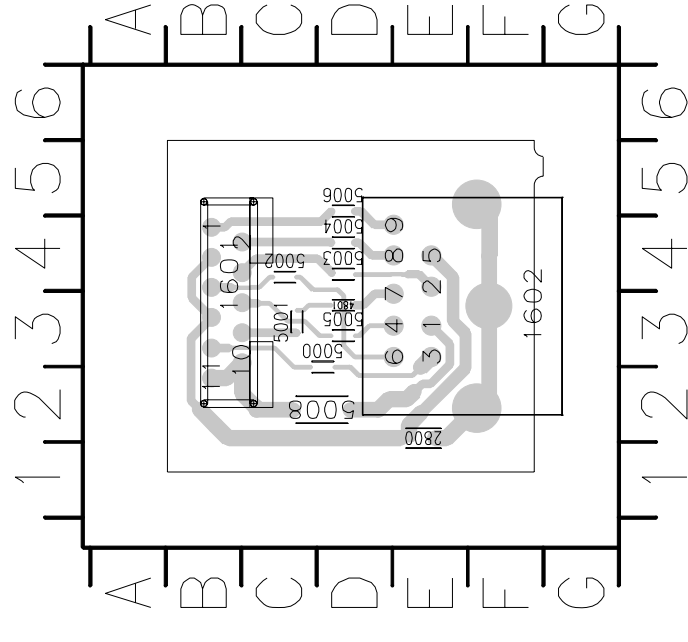


Layout diagram

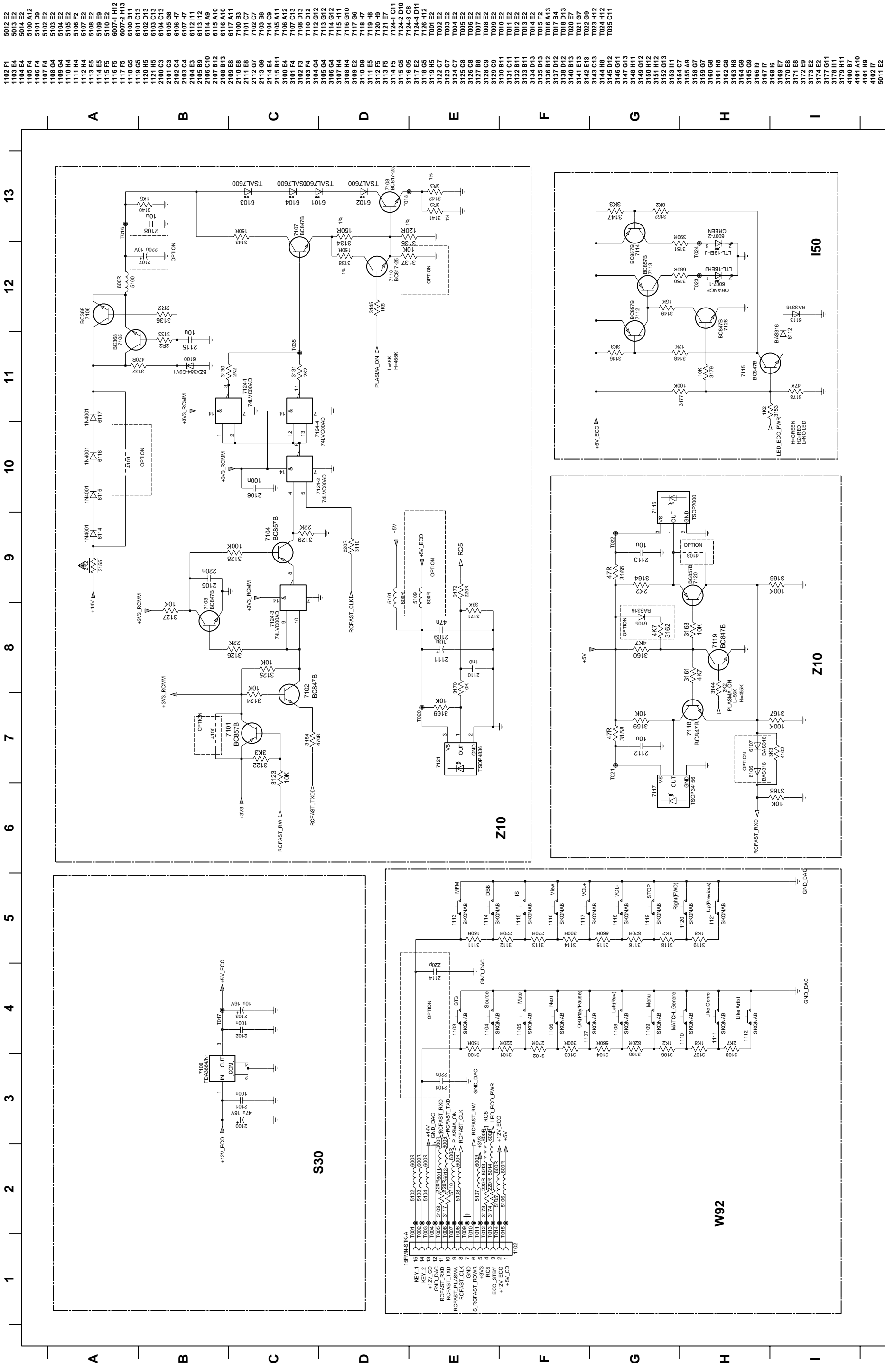


2480001
 2500001
 2500002
 2500003
 2500004
 2500005
 2500006
 2500008

EDD334
 UC4443
 DD4352



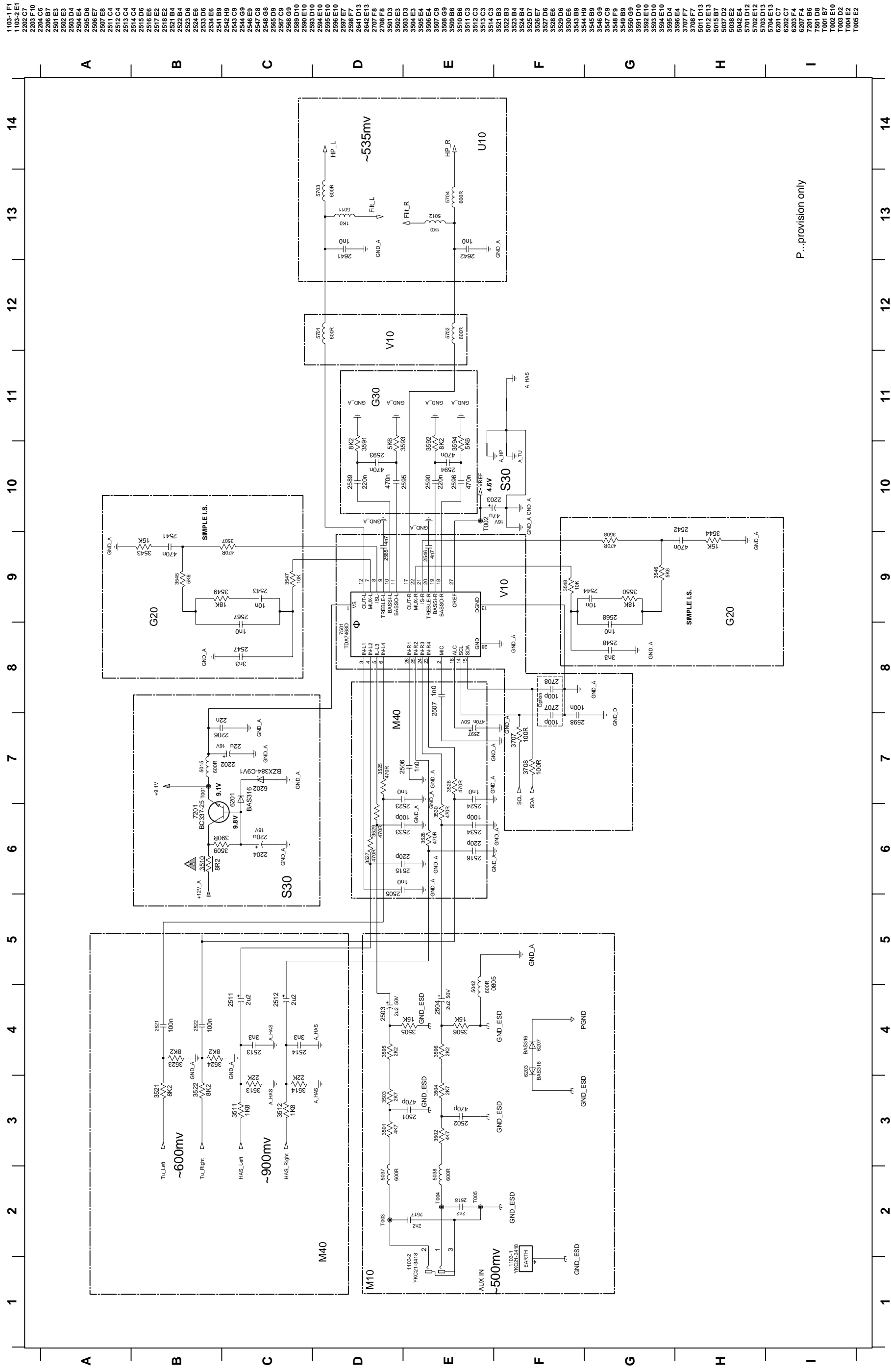
PB6-KEYS & RC - Circuit Diagram (waS7000)



- 1102 F1
- 1103 E4
- 1104 E4
- 1105 F4
- 1106 F4
- 1107 F4
- 1108 G4
- 1109 G4
- 1110 H4
- 1111 H4
- 1112 H4
- 1113 E5
- 1114 E5
- 1115 F5
- 1116 F5
- 1117 F5
- 1118 G5
- 1119 G5
- 1120 H5
- 1121 H5
- 2100 C3
- 2101 C3
- 2102 C3
- 2103 C4
- 2104 C4
- 2105 B9
- 2106 C10
- 2107 B12
- 2108 B13
- 2109 E8
- 2110 E8
- 2111 E8
- 2112 G7
- 2113 G9
- 2114 E4
- 2115 B11
- 3100 E4
- 3101 F4
- 3102 F3
- 3103 F4
- 3104 G4
- 3105 G4
- 3106 G4
- 3107 H4
- 3108 H4
- 3109 E2
- 3110 E7
- 3111 E7
- 3112 E5
- 3113 E7
- 3114 F5
- 3115 G5
- 3116 G5
- 3117 E2
- 3118 G5
- 3119 H5
- 3120 C7
- 3121 C7
- 3122 C7
- 3123 C7
- 3124 C7
- 3125 C8
- 3126 C8
- 3127 B8
- 3128 C9
- 3129 C9
- 3130 B11
- 3131 C11
- 3132 B11
- 3133 B11
- 3134 D13
- 3135 D13
- 3136 D13
- 3137 D12
- 3138 D12
- 3139 D13
- 3140 B13
- 3141 E13
- 3142 E13
- 3143 C13
- 3144 H8
- 3145 D12
- 3146 G11
- 3147 G13
- 3148 H11
- 3149 H12
- 3150 H12
- 3151 H12
- 3152 G13
- 3153 H11
- 3154 C7
- 3155 A9
- 3156 G7
- 3157 G7
- 3158 G8
- 3161 H8
- 3162 G8
- 3163 G8
- 3164 C9
- 3165 C9
- 3166 B9
- 3167 I7
- 3168 I6
- 3169 E7
- 3170 E8
- 3171 E8
- 3172 E9
- 3173 E2
- 3174 E2
- 3177 G11
- 3178 H11
- 3179 H11
- 4100 B7
- 4101 A10
- 4101 H9
- 4102 I7
- 5011 E2
- 5012 E2
- 5013 E2
- 5014 E2
- 500 A12
- 5100 D8
- 5102 E2
- 5103 E2
- 5104 E2
- 5105 E2
- 5106 F2
- 5107 E2
- 5108 E2
- 5109 E9
- 5110 E2
- 6007-1 H12
- 6007-2 H13
- 6100 B11
- 6101 C13
- 6102 D13
- 6103 C13
- 6104 C13
- 6105 G5
- 6106 G5
- 6107 H7
- 6108 H7
- 6112 H1
- 6113 H2
- 6114 A9
- 6115 A10
- 6116 A10
- 6117 A11
- 7100 B3
- 7101 C7
- 7102 C7
- 7103 B8
- 7104 C9
- 7105 A11
- 7106 A12
- 7107 C13
- 7108 D13
- 7109 D12
- 7110 D12
- 7111 G12
- 7112 G12
- 7113 G12
- 7114 G12
- 7115 G10
- 7116 G10
- 7117 G5
- 7118 G5
- 7119 H6
- 7120 H6
- 7121 E7
- 7121 E7
- 7121 E7
- 7124-1 C11
- 7124-2 D10
- 7124-3 C8
- 7124-4 D11
- T001 E2
- T002 E2
- T003 E2
- T004 E2
- T005 E2
- T006 E2
- T007 E2
- T008 E2
- T009 E2
- T010 E2
- T011 E2
- T012 E2
- T013 E2
- T014 E2
- T015 F2
- T016 B4
- T017 B4
- T018 D13
- T020 E7
- T021 G7
- T022 G9
- T023 H12
- T024 H12
- T025 C11

PB5-AF BOARD - Circuit Diagram (waS7000)

PART 1

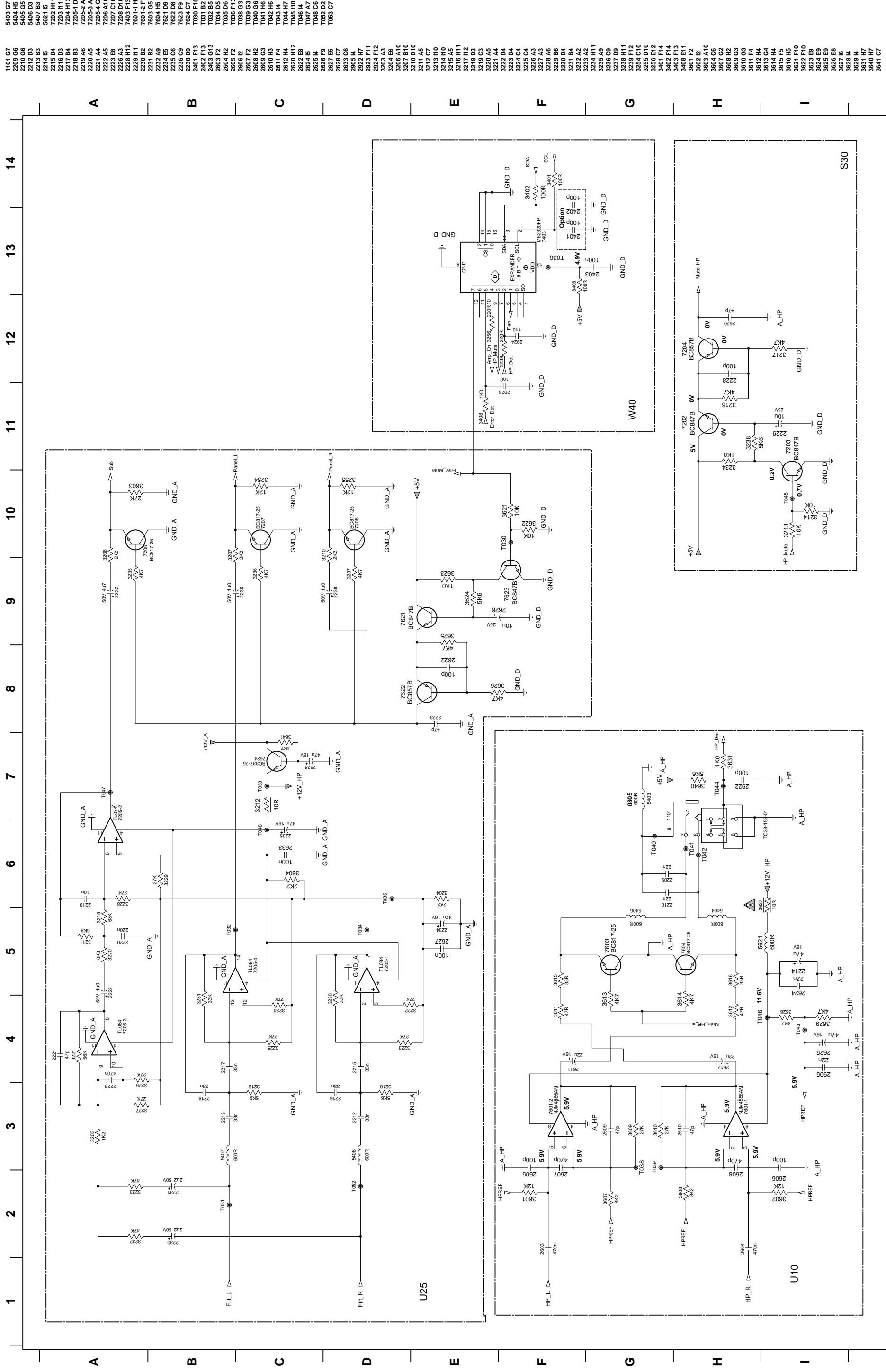


P...provision only

- 1103-1 F1
- 1103-2 E1
- 2203 C7
- 2203 F10
- 2204 C6
- 2206 B7
- 2501 E3
- 2502 E3
- 2503 F4
- 2504 E4
- 2506 D6
- 2506 E7
- 2507 E8
- 2511 C4
- 2512 C4
- 2513 C4
- 2514 C4
- 2515 D6
- 2516 E6
- 2517 E2
- 2518 E2
- 2521 B4
- 2522 B4
- 2523 B4
- 2524 E6
- 2525 E6
- 2531 D6
- 2533 E6
- 2534 E6
- 2541 B9
- 2542 H9
- 2543 C9
- 2544 G9
- 2546 E9
- 2547 C8
- 2548 G8
- 2548 D9
- 2567 C9
- 2568 G9
- 2569 F10
- 2580 D10
- 2593 D10
- 2594 E10
- 2598 E10
- 2599 E10
- 2597 E7
- 2598 F7
- 2641 D13
- 2642 E13
- 2707 F8
- 2708 F8
- 3501 D3
- 3502 E3
- 3503 D3
- 3504 E3
- 3506 E4
- 3506 E4
- 3507 C9
- 3508 G9
- 3509 B6
- 3510 B6
- 3511 C3
- 3512 C3
- 3513 C3
- 3514 C3
- 3521 B3
- 3522 B3
- 3523 B4
- 3524 B4
- 3525 E7
- 3526 E7
- 3527 E7
- 3528 D6
- 3528 E6
- 3529 D6
- 3530 E6
- 3543 B9
- 3544 H9
- 3545 B9
- 3546 G9
- 3547 C9
- 3548 F9
- 3548 B9
- 3550 G9
- 3551 F10
- 3552 E10
- 3594 D10
- 3594 E10
- 3598 D4
- 3598 E4
- 3707 F7
- 3708 F7
- 5011 D13
- 5012 E13
- 5015 B7
- 5037 D2
- 5038 E2
- 5042 E4
- 5701 D12
- 5706 D12
- 5706 E12
- 5704 E13
- 5704 E13
- 6201 C7
- 6202 C7
- 6203 F4
- 6207 F4
- 7201 B6
- 7501 D8
- T001 B7
- T002 E10
- T003 D2
- T004 E2
- T005 E2

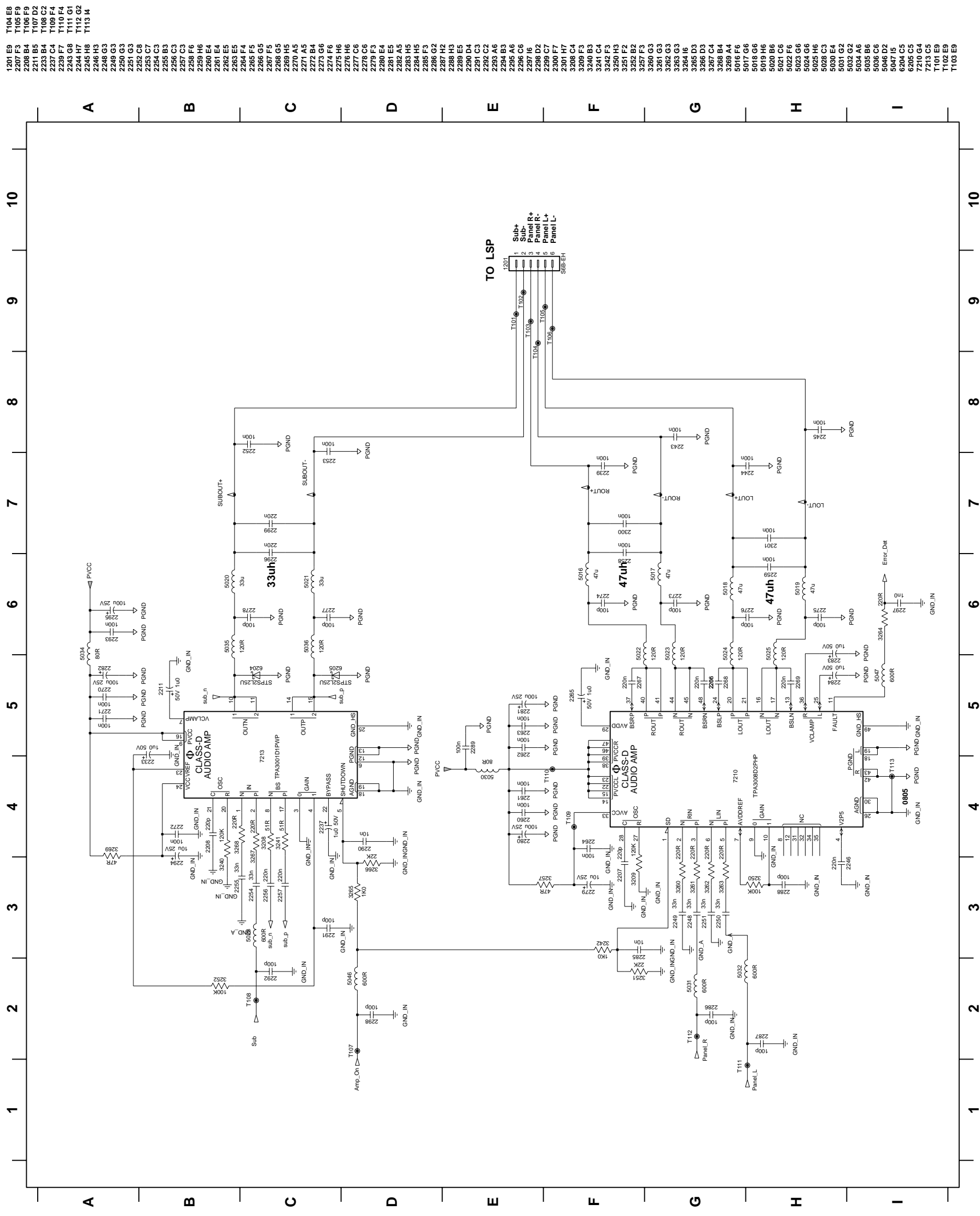
PB5-AF BOARD - Circuit Diagram (waS7000)

PART 2



- | | |
|----------|-----------|
| 1101 G7 | 5403 G7 |
| 2209 G6 | 5404 H6 |
| 2210 G6 | 5405 G5 |
| 2212 D3 | 5406 D3 |
| 2213 B3 | 5407 B3 |
| 2214 I5 | 5621 I5 |
| 2215 D4 | 7202 H11 |
| 2216 D3 | 7203 H11 |
| 2217 B4 | 7204 H12 |
| 2218 B3 | 7205-1 D5 |
| 2219 A6 | 7205-2 A6 |
| 2220 A5 | 7205-3 C5 |
| 2221 A4 | 7205-4 C5 |
| 2222 A5 | 7206 A10 |
| 2223 B8 | 7207 C10 |
| 2224 A3 | 7208 D10 |
| 2225 H12 | 7403 F13 |
| 2229 H11 | 7601-1 H3 |
| 2230 B2 | 7601-2 F3 |
| 2231 B2 | 7603 G5 |
| 2232 A9 | 7604 H5 |
| 2234 E5 | 7621 D9 |
| 2235 C6 | 7622 D8 |
| 2236 C9 | 7623 F9 |
| 2238 D9 | 7624 C7 |
| 2401 F13 | 7625 E2 |
| 2402 F13 | 7626 F2 |
| 2403 G13 | 7627 B5 |
| 2603 F2 | 7628 D5 |
| 2604 H2 | 7629 D6 |
| 2605 F2 | 7636 F13 |
| 2606 I2 | 7637 G3 |
| 2607 F2 | 7639 G3 |
| 2608 H2 | 7640 G6 |
| 2609 G3 | 7641 H6 |
| 2610 H3 | 7642 H6 |
| 2611 F4 | 7643 I4 |
| 2612 H4 | 7644 H7 |
| 2620 H12 | 7645 I10 |
| 2622 E8 | 7646 I4 |
| 2623 F7 | 7647 H7 |
| 2625 I4 | 7648 C6 |
| 2626 F9 | 7649 D2 |
| 2627 E5 | 7653 C7 |
| 2628 C7 | 2905 I4 |
| 2633 C6 | 2922 H7 |
| 2905 I4 | 2923 F11 |
| 2922 H7 | 2924 F12 |
| 2923 F11 | 3203 A3 |
| 2924 F12 | 3204 E6 |
| 3203 A3 | 3207 B10 |
| 3204 E6 | 3210 D10 |
| 3207 B10 | 3211 C5 |
| 3210 D10 | 3212 C7 |
| 3211 C5 | 3213 H10 |
| 3212 C7 | 3214 H10 |
| 3213 H10 | 3215 A5 |
| 3214 H10 | 3216 H11 |
| 3215 A5 | 3217 I12 |
| 3216 H11 | 3218 D3 |
| 3217 I12 | 3219 C3 |
| 3218 D3 | 3220 A5 |
| 3219 C3 | 3221 A4 |
| 3220 A5 | 3222 D4 |
| 3221 A4 | 3223 C4 |
| 3222 D4 | 3224 C4 |
| 3223 C4 | 3225 C4 |
| 3224 C4 | 3226 A3 |
| 3225 C4 | 3227 A3 |
| 3226 A3 | 3228 A6 |
| 3227 A3 | 3229 B6 |
| 3228 A6 | 3230 D4 |
| 3229 B6 | 3231 B4 |
| 3230 D4 | 3232 A2 |
| 3231 B4 | 3233 A2 |
| 3232 A2 | 3234 H11 |
| 3233 A2 | 3235 A9 |
| 3234 H11 | 3237 D9 |
| 3235 A9 | 3238 H11 |
| 3237 D9 | 3239 F12 |
| 3238 H11 | 3240 F10 |
| 3239 F12 | 3241 D10 |
| 3240 F10 | 3242 H10 |
| 3241 D10 | 3243 D10 |
| 3242 H10 | 3244 H4 |
| 3243 D10 | 3245 H4 |
| 3244 H4 | 3246 H4 |
| 3245 H4 | 3247 H4 |
| 3246 H4 | 3248 H4 |
| 3247 H4 | 3249 H4 |
| 3248 H4 | 3250 H4 |
| 3249 H4 | 3251 H4 |
| 3250 H4 | 3252 H4 |
| 3251 H4 | 3253 H4 |
| 3252 H4 | 3254 H4 |
| 3253 H4 | 3255 H4 |
| 3254 H4 | 3256 E12 |
| 3255 H4 | 3401 F14 |
| 3256 E12 | 3402 F14 |
| 3401 F14 | 3403 F13 |
| 3402 F14 | 3408 E11 |
| 3403 F13 | 3601 F2 |
| 3408 E11 | 3602 I2 |
| 3601 F2 | 3603 A10 |
| 3602 I2 | 3604 C6 |
| 3603 A10 | 3607 G2 |
| 3604 C6 | 3608 H2 |
| 3607 G2 | 3609 G3 |
| 3608 H2 | 3610 G3 |
| 3609 G3 | 3611 H4 |
| 3610 G3 | 3612 H4 |
| 3611 H4 | 3613 G4 |
| 3612 H4 | 3614 H4 |
| 3613 G4 | 3615 F5 |
| 3614 H4 | 3616 H5 |
| 3615 F5 | 3621 F10 |
| 3616 H5 | 3622 F10 |
| 3621 F10 | 3623 E9 |
| 3622 F10 | 3624 E9 |
| 3623 E9 | 3625 E9 |
| 3624 E9 | 3626 E8 |
| 3625 E9 | 3627 I6 |
| 3626 E8 | 3628 I4 |
| 3627 I6 | 3629 H7 |
| 3628 I4 | 3630 H7 |
| 3629 H7 | 3640 H7 |
| 3630 H7 | 3641 C7 |

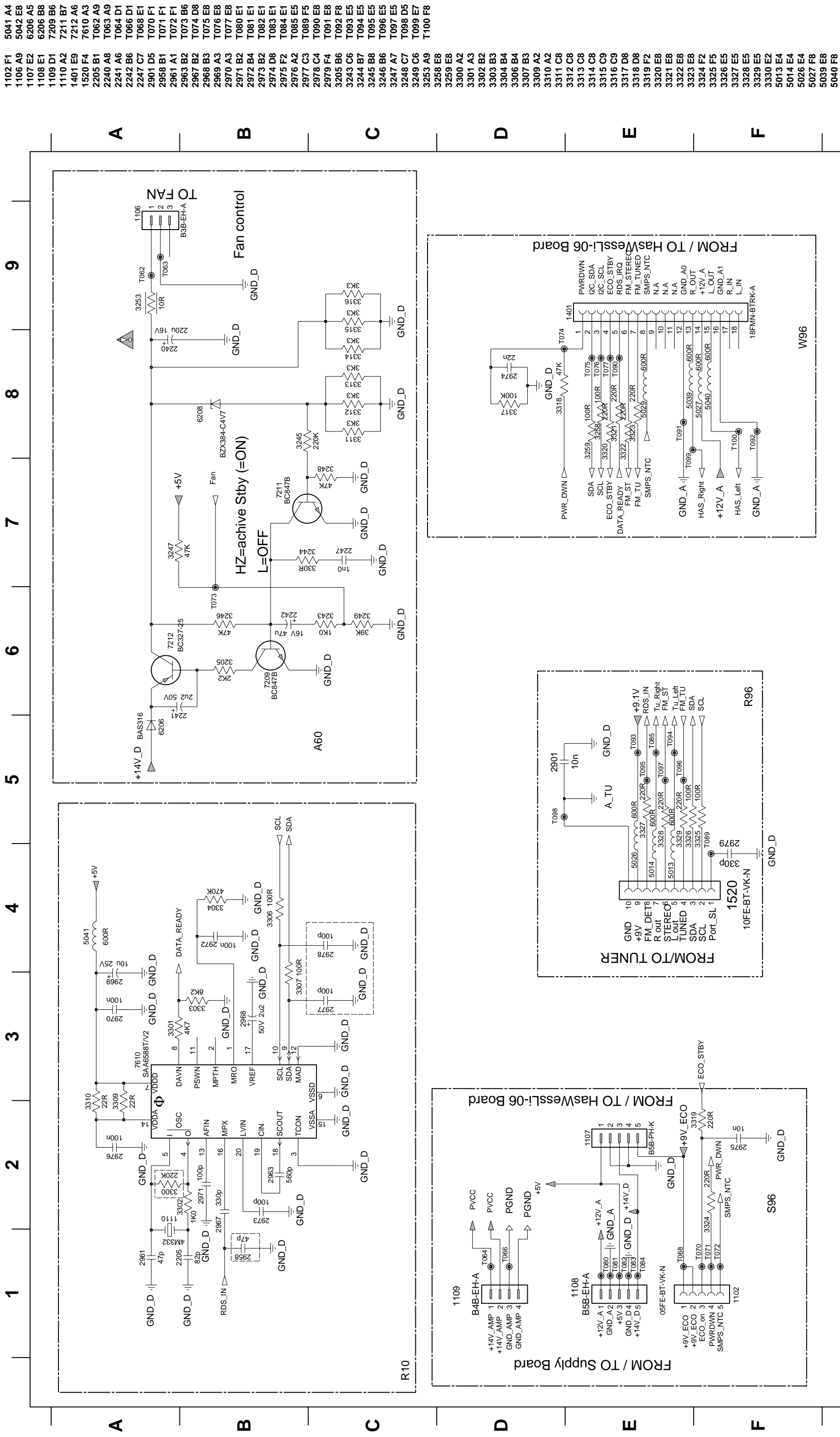
PART 3



- 1201 E9 T104 E8
- 2207 F3 T105 F9
- 2208 B4 T106 F9
- 2211 B5 T107 D2
- 2233 B4 T108 C2
- 2237 C4 T109 F4
- 2239 F7 T110 F4
- 2243 G8 T111 G1
- 2244 H7 T112 G2
- 2245 H8 T113 I4
- 2246 H8
- 2247 H8
- 2248 H8
- 2249 G3
- 2250 G3
- 2251 G3
- 2252 C8
- 2253 C7
- 2254 C3
- 2255 B3
- 2256 C3
- 2257 C3
- 2258 F6
- 2259 H6
- 2260 E4
- 2261 E4
- 2262 E5
- 2263 E5
- 2264 F5
- 2265 F5
- 2266 G5
- 2267 F5
- 2268 G5
- 2269 H5
- 2270 A5
- 2271 A5
- 2272 B4
- 2273 G6
- 2274 F6
- 2275 H6
- 2276 H6
- 2277 C6
- 2278 F3
- 2279 F3
- 2280 E4
- 2281 E5
- 2282 A5
- 2283 H5
- 2284 H5
- 2285 F3
- 2286 G2
- 2287 H2
- 2288 H3
- 2289 E5
- 2290 D4
- 2291 C3
- 2292 E2
- 2293 A2
- 2294 B3
- 2295 A6
- 2296 C6
- 2297 I6
- 2298 D2
- 2299 C7
- 2300 F7
- 2301 H7
- 3208 C4
- 3209 F3
- 3240 B3
- 3241 C4
- 3242 F3
- 3243 F3
- 3251 F2
- 3252 B2
- 3257 F3
- 3260 G3
- 3261 G3
- 3262 G3
- 3263 G3
- 3264 I6
- 3265 D3
- 3266 D3
- 3267 C4
- 3268 B4
- 3269 A4
- 5017 C6
- 5018 G6
- 5019 H6
- 5020 B6
- 5021 C6
- 5022 F6
- 5023 G6
- 5024 G6
- 5025 H6
- 5028 C3
- 5030 E4
- 5031 G2
- 5032 G2
- 5034 A6
- 5035 E6
- 5036 C2
- 5038 C2
- 5047 I5
- 6204 C5
- 6205 C5
- 7210 G4
- 7213 C5
- T101 E9
- T102 E9
- T103 E9

PB5-AF BOARD - Circuit Diagram (waS7000)

PART 4



- 1102 F1
- 1106 A9
- 1107 E2
- 1108 E1
- 1109 D1
- 1110 A2
- 1401 E9
- 1520 F4
- 2205 B1
- 2240 A8
- 2241 A6
- 2242 B6
- 2247 C7
- 2901 D5
- 2958 B1
- 2961 A1
- 2963 B2
- 2967 B2
- 2968 B3
- 2969 A3
- 2970 A3
- 2971 B2
- 2972 B4
- 2973 B2
- 2974 D8
- 2975 F2
- 2976 A2
- 2977 C3
- 2978 C4
- 2979 F4
- 3205 B6
- 3243 C6
- 3244 B7
- 3245 B8
- 3246 B6
- 3247 A7
- 3248 C7
- 3249 C6
- 3253 A9
- 3258 E8
- 3259 E8
- 3300 A2
- 3301 A3
- 3302 B2
- 3303 B3
- 3304 B4
- 3306 B4
- 3307 B3
- 3309 A2
- 3310 A2
- 3311 C8
- 3312 C8
- 3313 C8
- 3314 C8
- 3315 C9
- 3316 C9
- 3317 D8
- 3318 D8
- 3319 F2
- 3320 E8
- 3321 E8
- 3322 E8
- 3323 E8
- 3324 F2
- 3325 F5
- 3326 E5
- 3327 E5
- 3328 E5
- 3329 E5
- 3330 E2
- 5013 E4
- 5014 E4
- 5026 E4
- 5027 F8
- 5039 E8
- 5040 F8



HAS MODULE

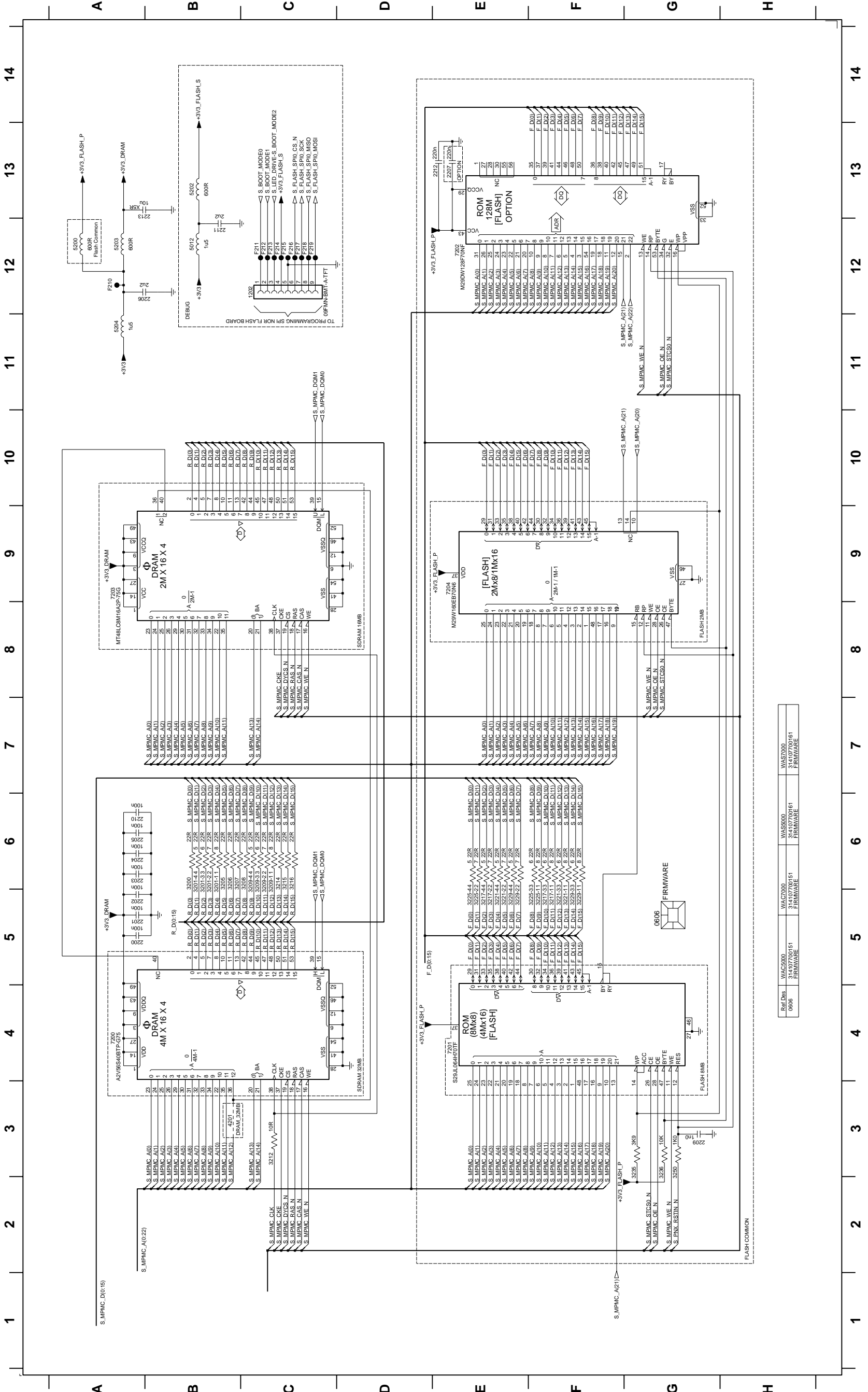
This module can only be repaired on component level
at authorized service workshop.

In case of defects please replace the entire board resp. the WiFi Card.

- 3141 078 01481HAS Printed Board Assembly - Europe
- 3141 078 02031HAS Printed Board Assembly - Nafta
- 2822 065 01728WiFi Card Mini PCI

CIRCUIT DIAGRAM - Part 2

- 0606 G5
- 1202 C12
- 2200 A5
- 2201 A5
- 2202 A5
- 2203 A6
- 2204 A6
- 2205 A6
- 2206 A12
- 2211 B12
- 2212 E13
- 2213 A13
- 2210 A6
- 2211 A6
- 2212 A6
- 2213 A6
- 2204 A6
- 2205 A6
- 2206 A12
- 2211 B12
- 2212 E13
- 2213 A13
- 2210 A6
- 2211 A6
- 2212 A6
- 2213 A6
- 2204 A6
- 2205 A6
- 2206 A12
- 2211 B12
- 2212 E13
- 2213 A13
- 2210 A6
- 2211 A6
- 2212 A6
- 2213 A6
- 2204 A6
- 2205 A6
- 2206 A12
- 2211 B12
- 2212 E13
- 2213 A13
- 2210 A6
- 2211 A6
- 2212 A6
- 2213 A6
- 2204 A6
- 2205 A6
- 2206 A12
- 2211 B12
- 2212 E13
- 2213 A13
- 2210 A6
- 2211 A6
- 2212 A6
- 2213 A6
- 2204 A6
- 2205 A6
- 2206 A12
- 2211 B12
- 2212 E13
- 2213 A13
- 2210 A6
- 2211 A6
- 2212 A6
- 2213 A6
- 2204 A6
- 2205 A6
- 2206 A12
- 2211 B12
- 2212 E13
- 2213 A13
- 2210 A6
- 2211 A6
- 2212 A6
- 2213 A6
- 2204 A6
- 2205 A6
- 2206 A12
- 2211 B12
- 2212 E13
- 2213 A13
- 2210 A6
- 2211 A6
- 2212 A6
- 2213 A6
- 2204 A6
- 2205 A6
- 2206 A12
- 2211 B12
- 2212 E13
- 2213 A13
- 2210 A6
- 2211 A6
- 2212 A6
- 2213 A6
- 2204 A6
- 2205 A6
- 2206 A12
- 2211 B12
- 2212 E13
- 2213 A13
- 2210 A6
- 2211 A6
- 2212 A6
- 2213 A6
- 2204 A6
- 2205 A6
- 2206 A12
- 2211 B12
- 2212 E13
- 2213 A13
- 2210 A6
- 2211 A6
- 2212 A6
- 2213 A6
- 2204 A6
- 2205 A6
- 2206 A12
- 2211 B12
- 2212 E13
- 2213 A13
- 2210 A6
- 2211 A6
- 2212 A6
- 2213 A6
- 2204 A6
- 2205 A6
- 2206 A12
- 2211 B12
- 2212 E13
- 2213 A13
- 2210 A6
- 2211 A6
- 2212 A6
- 2213 A6
- 2204 A6
- 2205 A6
- 2206 A12
- 2211 B12
- 2212 E13
- 2213 A13
- 2210 A6
- 2211 A6
- 2212 A6
- 2213 A6
- 2204 A6
- 2205 A6
- 2206 A12
- 2211 B12
- 2212 E13
- 2213 A13
- 2210 A6
- 2211 A6
- 2212 A6
- 2213 A6
- 2204 A6
- 2205 A6
- 2206 A12
- 2211 B12
- 2212 E13
- 2213 A13
- 2210 A6
- 2211 A6
- 2212 A6
- 2213 A6
- 2204 A6
- 2205 A6
- 2206 A12
- 2211 B12
- 2212 E13
- 2213 A13
- 2210 A6
- 2211 A6
- 2212 A6
- 2213 A6
- 2204 A6
- 2205 A6
- 2206 A12
- 2211 B12
- 2212 E13
- 2213 A13
- 2210 A6
- 2211 A6
- 2212 A6
- 2213 A6
- 2204 A6
- 2205 A6
- 2206 A12
- 2211 B12
- 2212 E13
- 2213 A13
- 2210 A6
- 2211 A6
- 2212 A6
- 2213 A6
- 2204 A6
- 2205 A6
- 2206 A12
- 2211 B12
- 2212 E13
- 2213 A13
- 2210 A6
- 2211 A6
- 2212 A6
- 2213 A6
- 2204 A6
- 2205 A6
- 2206 A12
- 2211 B12
- 2212 E13
- 2213 A13
- 2210 A6
- 2211 A6
- 2212 A6
- 2213 A6
- 2204 A6
- 2205 A6
- 2206 A12
- 2211 B12
- 2212 E13
- 2213 A13
- 2210 A6
- 2211 A6
- 2212 A6
- 2213 A6
- 2204 A6
- 2205 A6
- 2206 A12
- 2211 B12
- 2212 E13
- 2213 A13
- 2210 A6
- 2211 A6
- 2212 A6
- 2213 A6
- 2204 A6
- 2205 A6
- 2206 A12
- 2211 B12
- 2212 E13
- 2213 A13
- 2210 A6
- 2211 A6
- 2212 A6
- 2213 A6
- 2204 A6
- 2205 A6
- 2206 A12
- 2211 B12
- 2212 E13
- 2213 A13
- 2210 A6
- 2211 A6
- 2212 A6
- 2213 A6
- 2204 A6
- 2205 A6



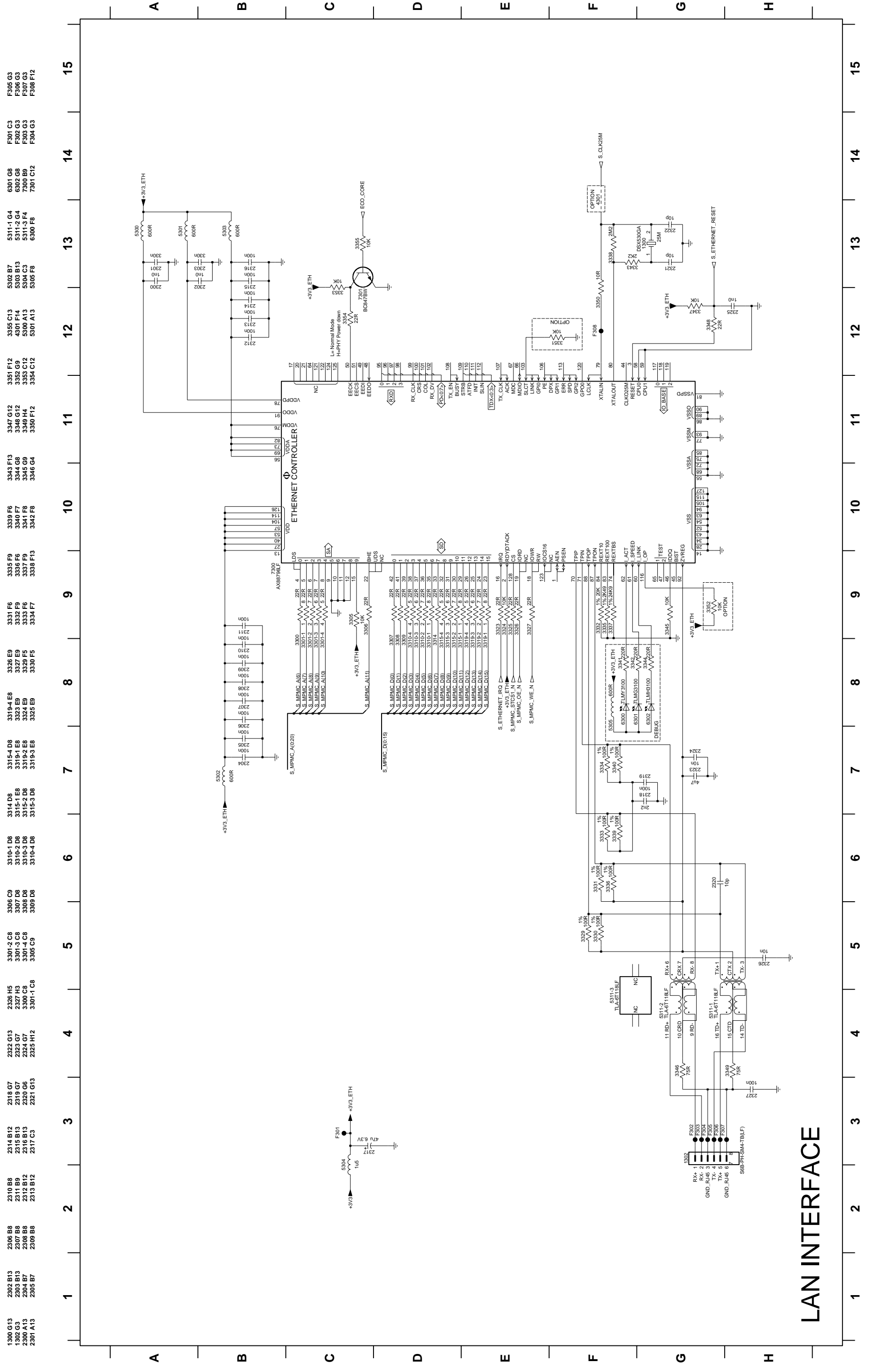
FLASH & SDRAM

Ref Des	WAC5000	WAC7000	WAS5000	WAS7000
0606	314107700151 FIRMWARE	314107700151 FIRMWARE	314107700151 FIRMWARE	314107700151 FIRMWARE

CIRCUIT DIAGRAM - Part 3

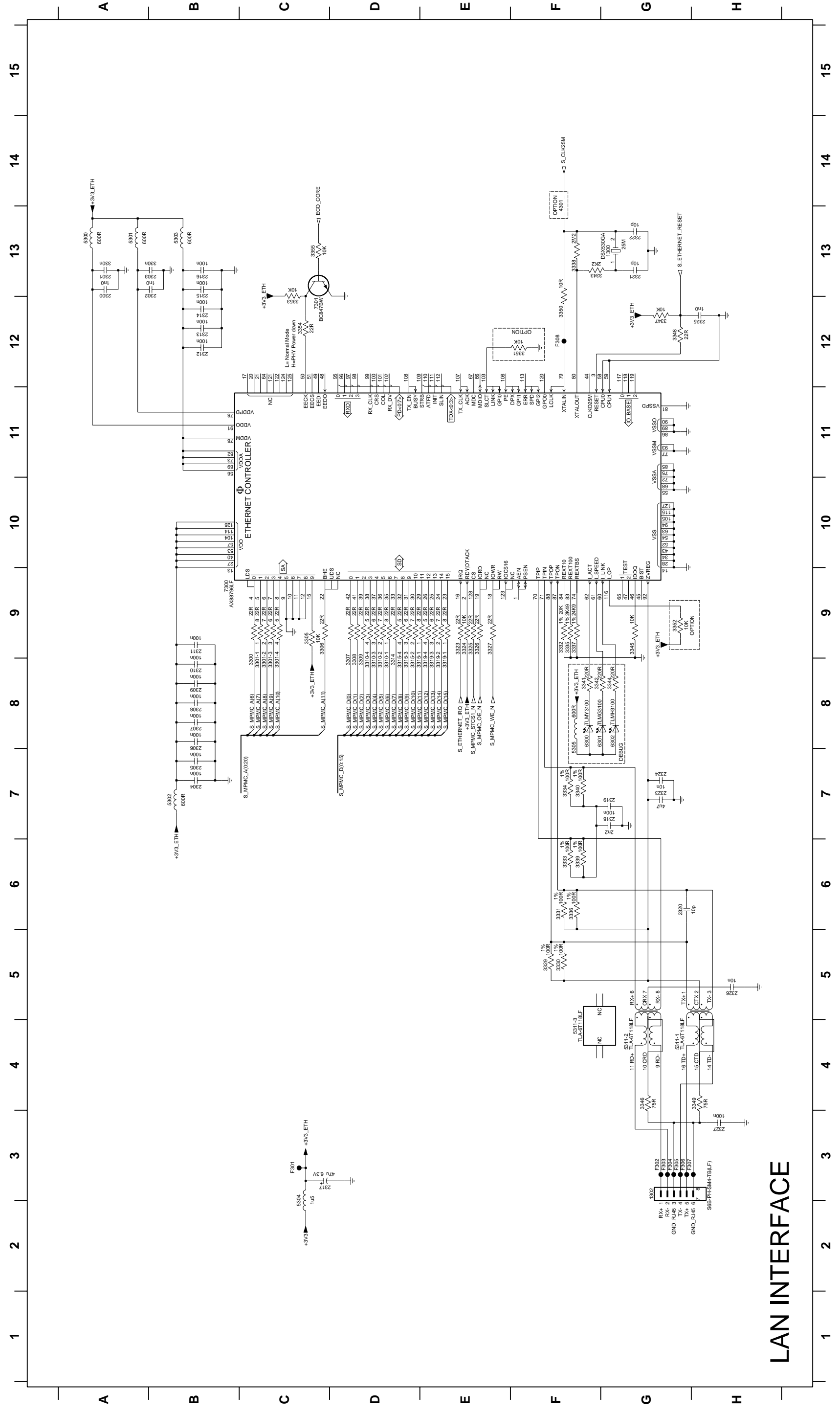
16 - 4

16 - 4

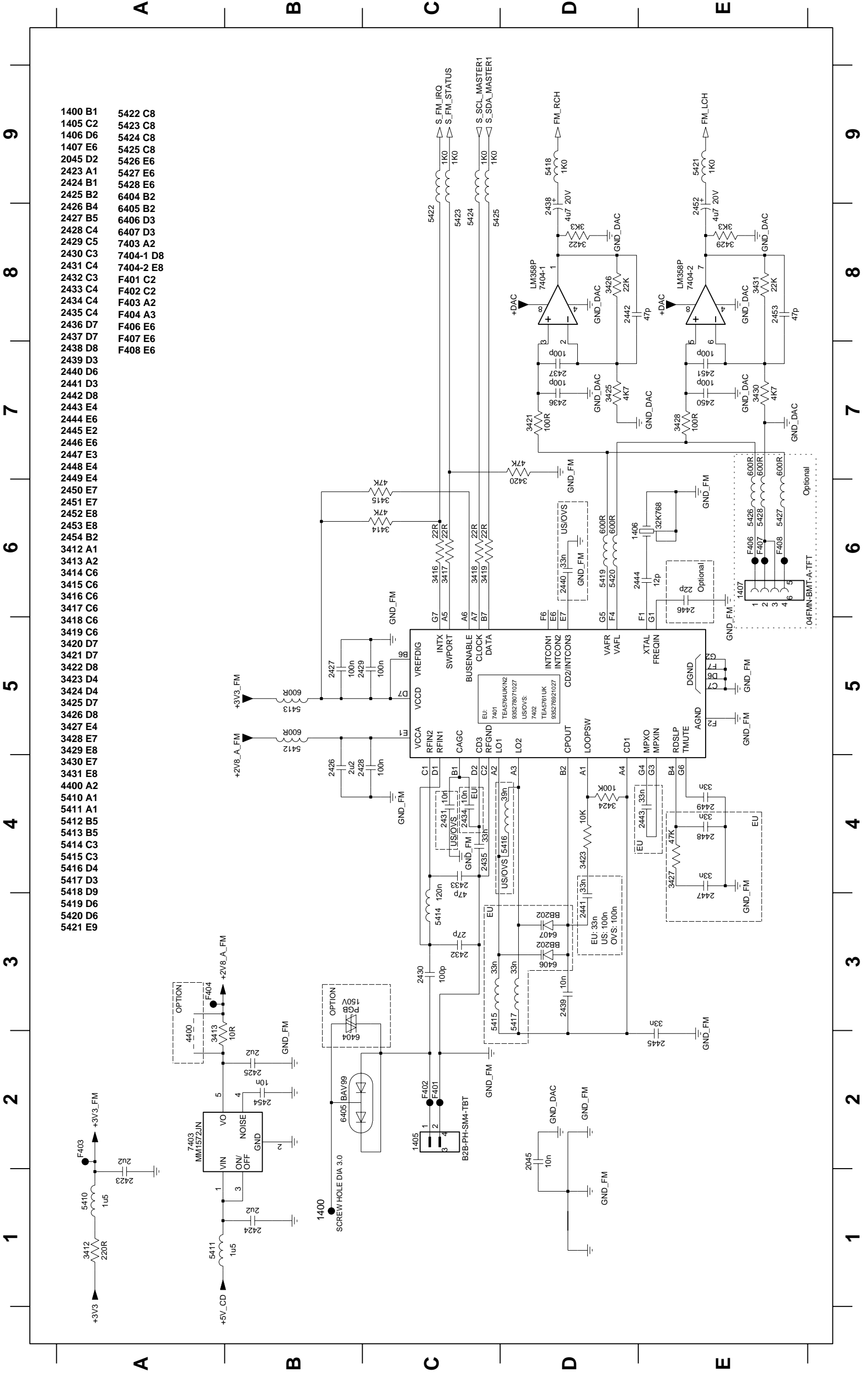


LAN INTERFACE

ETHERNET

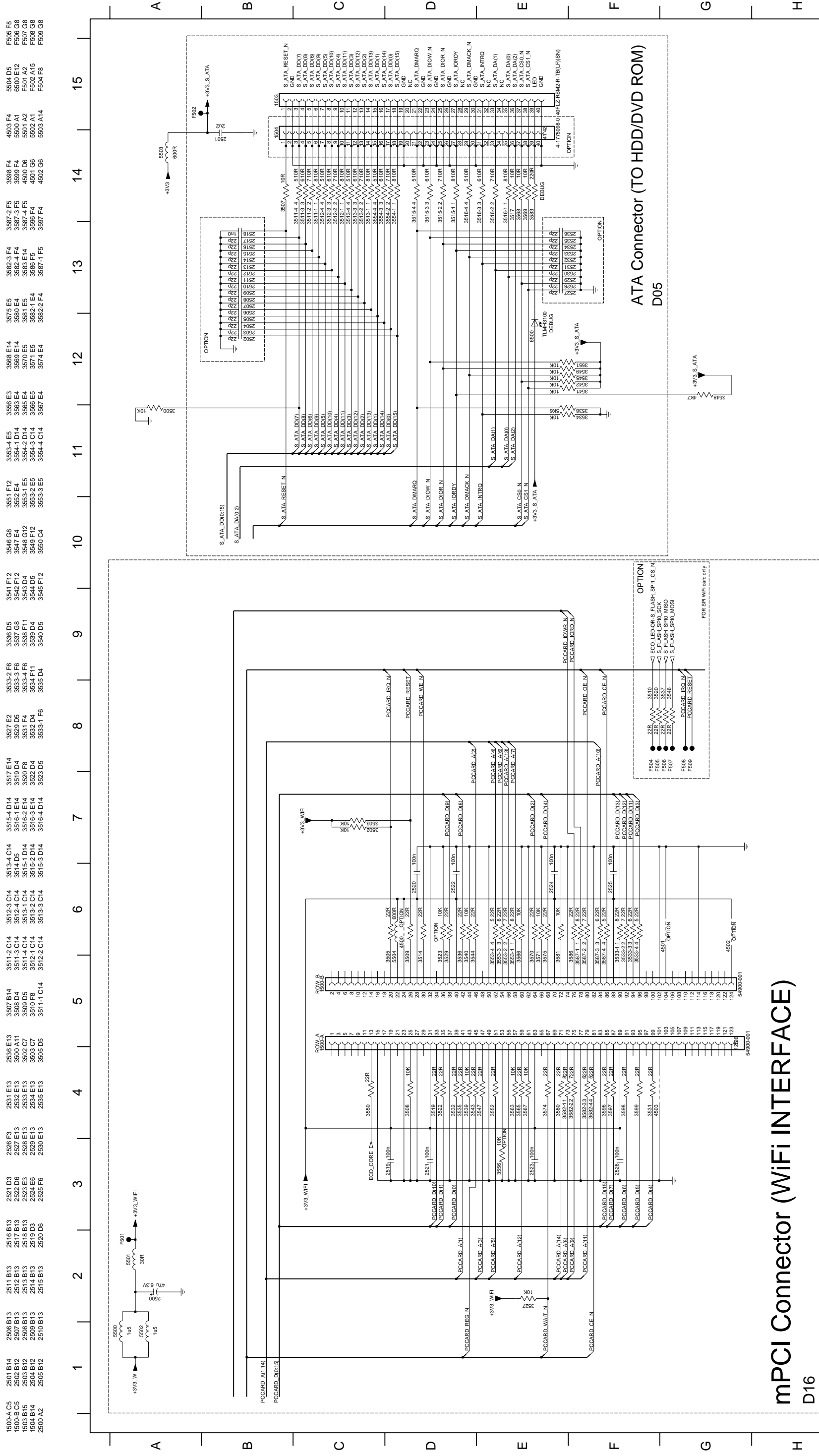


CIRCUIT DIAGRAM - Part 4



- 1400 B1
- 1405 C2
- 1406 D6
- 1407 E6
- 2045 D2
- 2423 A1
- 2424 B1
- 2425 B2
- 2426 B4
- 2427 B5
- 2428 C4
- 2429 C5
- 2430 C3
- 2431 C4
- 2432 C3
- 2433 C4
- 2434 C4
- 2435 C4
- 2436 D7
- 2437 D7
- 2438 D8
- 2439 D3
- 2440 D6
- 2441 D3
- 2442 D8
- 2443 E4
- 2444 E6
- 2445 E2
- 2446 E6
- 2447 E3
- 2448 E4
- 2449 E4
- 2450 E7
- 2451 E7
- 2452 E8
- 2453 E8
- 2454 B2
- 3412 A1
- 3413 A2
- 3414 C6
- 3415 C6
- 3416 C6
- 3417 C6
- 3418 C6
- 3419 C6
- 3420 D7
- 3421 D7
- 3422 D8
- 3423 D4
- 3424 D4
- 3425 D7
- 3426 D8
- 3427 E4
- 3428 E7
- 3429 E8
- 3430 E7
- 3431 E8
- 4400 A2
- 5410 A1
- 5411 A1
- 5412 B5
- 5413 B5
- 5414 C3
- 5415 C3
- 5416 D4
- 5417 D3
- 5418 D9
- 5419 D6
- 5420 D6
- 5421 E9
- 5422 C8
- 5423 C8
- 5424 C8
- 5425 C8
- 5426 E6
- 5427 E6
- 5428 E6
- 6404 B2
- 6405 B2
- 6406 D3
- 7403 A2
- 7404-1 D8
- 7404-2 E8
- F401 C2
- F402 C2
- F403 A2
- F404 A3
- F406 E6
- F407 E6
- F408 E6

CIRCUIT DIAGRAM - Part 5

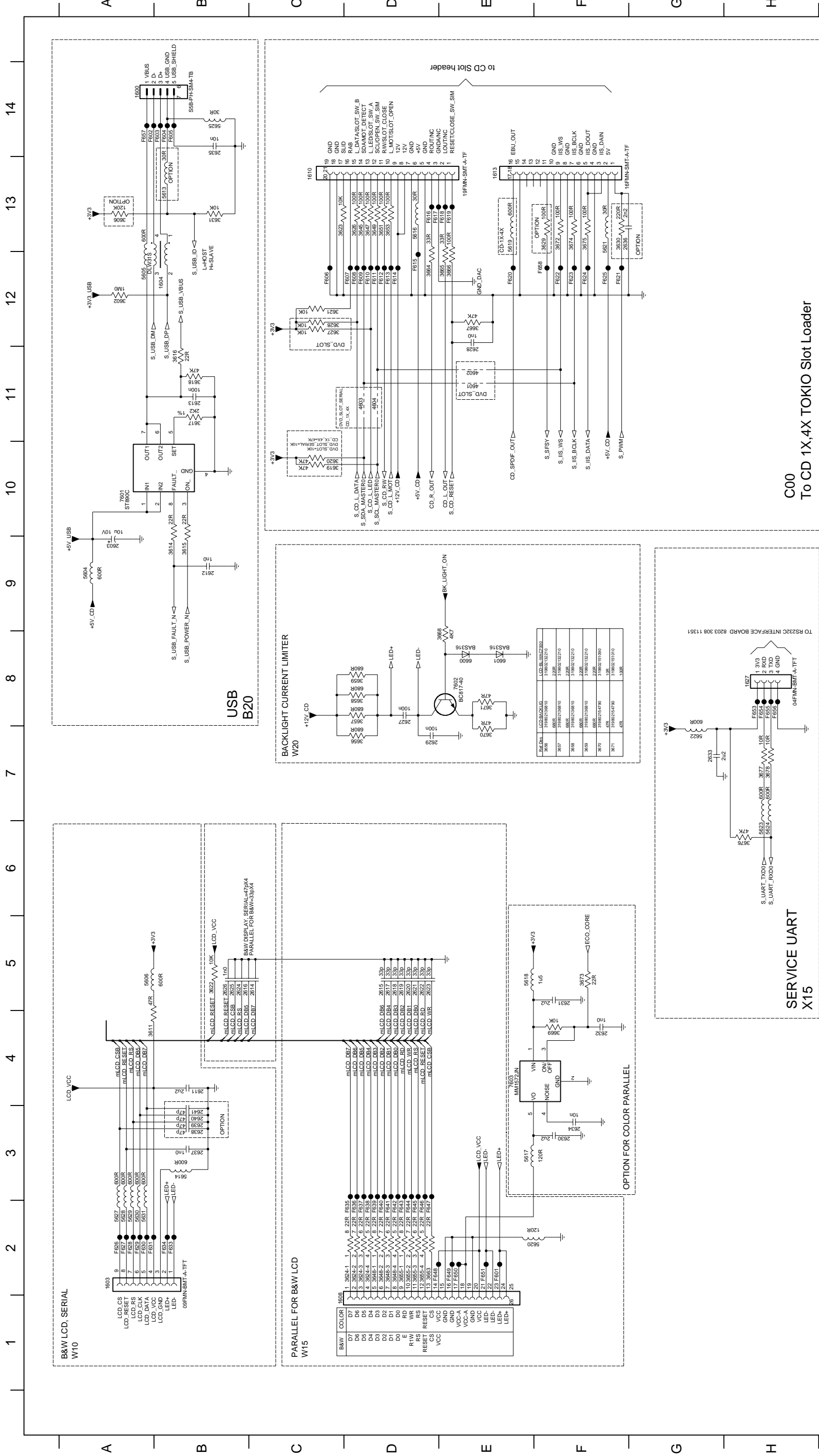


mPCI Connector (WiFi INTERFACE)
D16

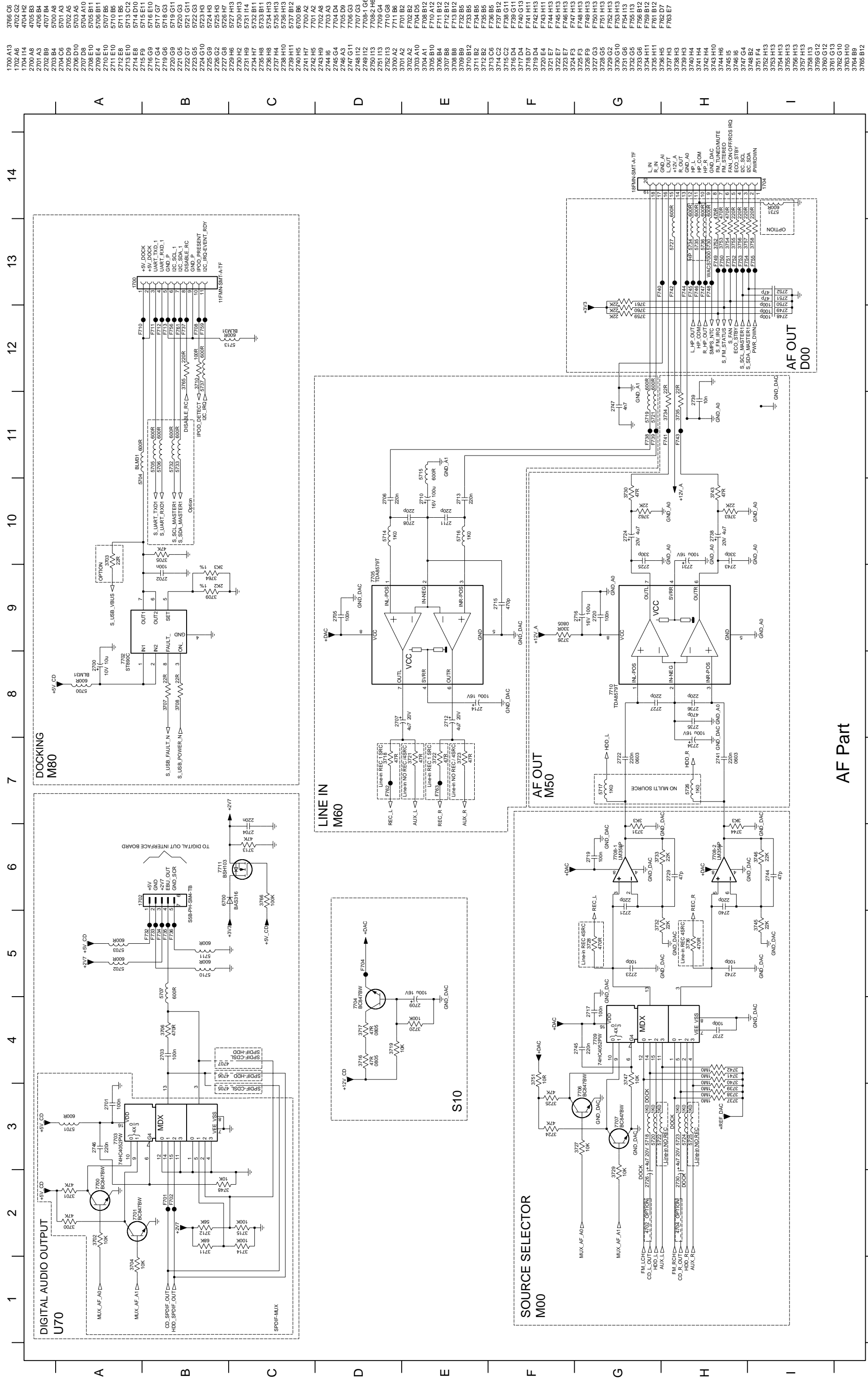
ATA Connector (TO HDD/DVD ROM)
D05

CIRCUIT DIAGRAM - Part 6

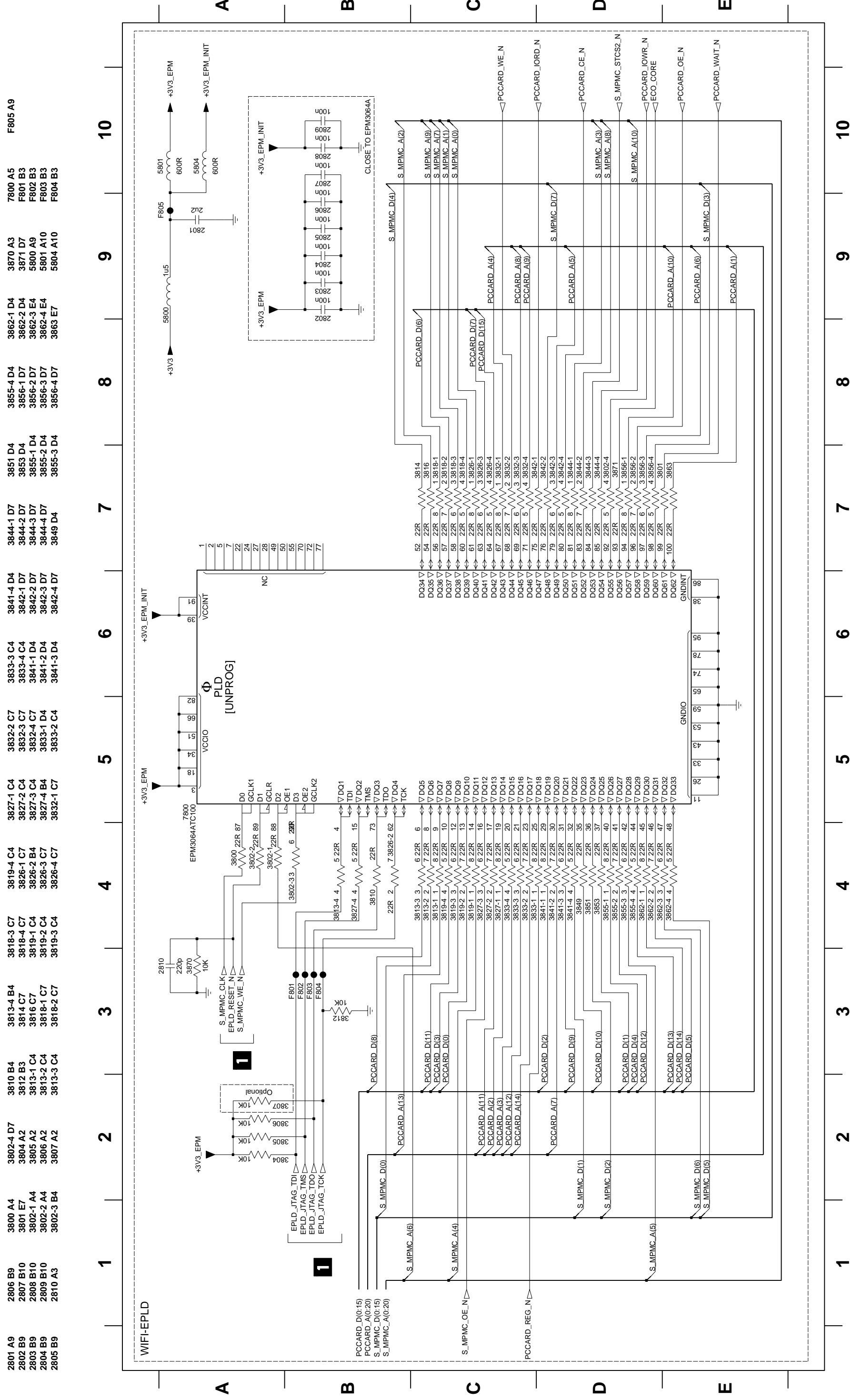
- 1600 A14
- 1603 A2
- 1608 C1
- 1610 C13
- 1627 H8
- 2803 A9
- 2811 B4
- 2812 B9
- 2813 B11
- 2814 C5
- 2611 D5
- 2616 B5
- 2617 D5
- 2618 D5
- 2619 D5
- 2620 D5
- 2627 D8
- 2628 E11
- 2629 D7
- 2630 F3
- 2631 F5
- 2632 F4
- 2633 G7
- 2634 F3
- 2635 B14
- 2636 F13
- 2637 B3
- 2638 B3
- 2639 B3
- 2640 B3
- 2641 B3
- 2642 A12
- 2643 B3
- 2644 C5
- 2645 B9
- 2646 B3
- 2647 B11
- 2648 A12
- 2649 B11
- 2650 A12
- 2651 A12
- 2652 B5
- 2653 D5
- 2654 B5
- 2655 D5
- 2656 B5
- 2657 D5
- 2658 E11
- 2659 D7
- 2660 F3
- 2661 F5
- 2662 F4
- 2663 D2
- 2664 B3
- 2665 D13
- 2666 A12
- 2667 B3
- 2668 B3
- 2669 F4
- 2670 E7
- 2671 E8
- 2672 F13
- 2673 F5
- 2674 F13
- 2675 F13
- 2676 H6
- 2677 H7
- 2678 H7
- 2679 F13
- 2680 C10
- 2681 B9
- 2682 B3
- 2683 B3
- 2684 B3
- 2685 B11
- 2686 A12
- 2687 B3
- 2688 B3
- 2689 B3
- 2690 C10
- 2691 C12
- 2692 B5
- 2693 C13
- 2694 D12
- 2695 D2
- 2696 D2
- 2697 D2
- 2698 D2
- 2699 D2
- 2700 D2
- 2701 D2
- 2702 D2
- 2703 D2
- 2704 D2
- 2705 D2
- 2706 D2
- 2707 D2
- 2708 D2
- 2709 D2
- 2710 D2
- 2711 D2
- 2712 D2
- 2713 D2
- 2714 D2
- 2715 D2
- 2716 D2
- 2717 D2
- 2718 D2
- 2719 D2
- 2720 D2
- 2721 D2
- 2722 D2
- 2723 D2
- 2724 D2
- 2725 D2
- 2726 D2
- 2727 D2
- 2728 D2
- 2729 D2
- 2730 D2
- 2731 D2
- 2732 D2
- 2733 D2
- 2734 D2
- 2735 D2
- 2736 D2
- 2737 D2
- 2738 D2
- 2739 D2
- 2740 D2
- 2741 D2
- 2742 D2
- 2743 D2
- 2744 D2
- 2745 D2
- 2746 D2
- 2747 D2
- 2748 D2
- 2749 D2
- 2750 D2
- 2751 D2
- 2752 D2
- 2753 D2
- 2754 D2
- 2755 D2
- 2756 D2
- 2757 D2
- 2758 D2
- 2759 D2
- 2760 D2
- 2761 D2
- 2762 D2
- 2763 D2
- 2764 D2
- 2765 D2
- 2766 D2
- 2767 D2
- 2768 D2
- 2769 D2
- 2770 D2
- 2771 D2
- 2772 D2
- 2773 D2
- 2774 D2
- 2775 D2
- 2776 D2
- 2777 D2
- 2778 D2
- 2779 D2
- 2780 D2
- 2781 D2
- 2782 D2
- 2783 D2
- 2784 D2
- 2785 D2
- 2786 D2
- 2787 D2
- 2788 D2
- 2789 D2
- 2790 D2
- 2791 D2
- 2792 D2
- 2793 D2
- 2794 D2
- 2795 D2
- 2796 D2
- 2797 D2
- 2798 D2
- 2799 D2
- 2800 D2
- 2801 D2
- 2802 D2
- 2803 D2
- 2804 D2
- 2805 D2
- 2806 D2
- 2807 D2
- 2808 D2
- 2809 D2
- 2810 D2
- 2811 D2
- 2812 D2
- 2813 D2
- 2814 D2
- 2815 D2
- 2816 D2
- 2817 D2
- 2818 D2
- 2819 D2
- 2820 D2
- 2821 D2
- 2822 D2
- 2823 D2
- 2824 D2
- 2825 D2
- 2826 D2
- 2827 D2
- 2828 D2
- 2829 D2
- 2830 D2
- 2831 D2
- 2832 D2
- 2833 D2
- 2834 D2
- 2835 D2
- 2836 D2
- 2837 D2
- 2838 D2
- 2839 D2
- 2840 D2
- 2841 D2
- 2842 D2
- 2843 D2
- 2844 D2
- 2845 D2
- 2846 D2
- 2847 D2
- 2848 D2
- 2849 D2
- 2850 D2
- 2851 D2
- 2852 D2
- 2853 D2
- 2854 D2
- 2855 D2
- 2856 D2
- 2857 D2
- 2858 D2
- 2859 D2
- 2860 D2
- 2861 D2
- 2862 D2
- 2863 D2
- 2864 D2
- 2865 D2
- 2866 D2
- 2867 D2
- 2868 D2
- 2869 D2
- 2870 D2
- 2871 D2
- 2872 D2
- 2873 D2
- 2874 D2
- 2875 D2
- 2876 D2
- 2877 D2
- 2878 D2
- 2879 D2
- 2880 D2
- 2881 D2
- 2882 D2
- 2883 D2
- 2884 D2
- 2885 D2
- 2886 D2
- 2887 D2
- 2888 D2
- 2889 D2
- 2890 D2
- 2891 D2
- 2892 D2
- 2893 D2
- 2894 D2
- 2895 D2
- 2896 D2
- 2897 D2
- 2898 D2
- 2899 D2
- 2900 D2
- 2901 D2
- 2902 D2
- 2903 D2
- 2904 D2
- 2905 D2
- 2906 D2
- 2907 D2
- 2908 D2
- 2909 D2
- 2910 D2
- 2911 D2
- 2912 D2
- 2913 D2
- 2914 D2
- 2915 D2
- 2916 D2
- 2917 D2
- 2918 D2
- 2919 D2
- 2920 D2
- 2921 D2
- 2922 D2
- 2923 D2
- 2924 D2
- 2925 D2
- 2926 D2
- 2927 D2
- 2928 D2
- 2929 D2
- 2930 D2
- 2931 D2
- 2932 D2
- 2933 D2
- 2934 D2
- 2935 D2
- 2936 D2
- 2937 D2
- 2938 D2
- 2939 D2
- 2940 D2
- 2941 D2
- 2942 D2
- 2943 D2
- 2944 D2
- 2945 D2
- 2946 D2
- 2947 D2
- 2948 D2
- 2949 D2
- 2950 D2
- 2951 D2
- 2952 D2
- 2953 D2
- 2954 D2
- 2955 D2
- 2956 D2
- 2957 D2
- 2958 D2
- 2959 D2
- 2960 D2
- 2961 D2
- 2962 D2
- 2963 D2
- 2964 D2
- 2965 D2
- 2966 D2
- 2967 D2
- 2968 D2
- 2969 D2
- 2970 D2
- 2971 D2
- 2972 D2
- 2973 D2
- 2974 D2
- 2975 D2
- 2976 D2
- 2977 D2
- 2978 D2
- 2979 D2
- 2980 D2
- 2981 D2
- 2982 D2
- 2983 D2
- 2984 D2
- 2985 D2
- 2986 D2
- 2987 D2
- 2988 D2
- 2989 D2
- 2990 D2
- 2991 D2
- 2992 D2
- 2993 D2
- 2994 D2
- 2995 D2
- 2996 D2
- 2997 D2
- 2998 D2
- 2999 D2
- 3000 D2



CIRCUIT DIAGRAM - Part 7

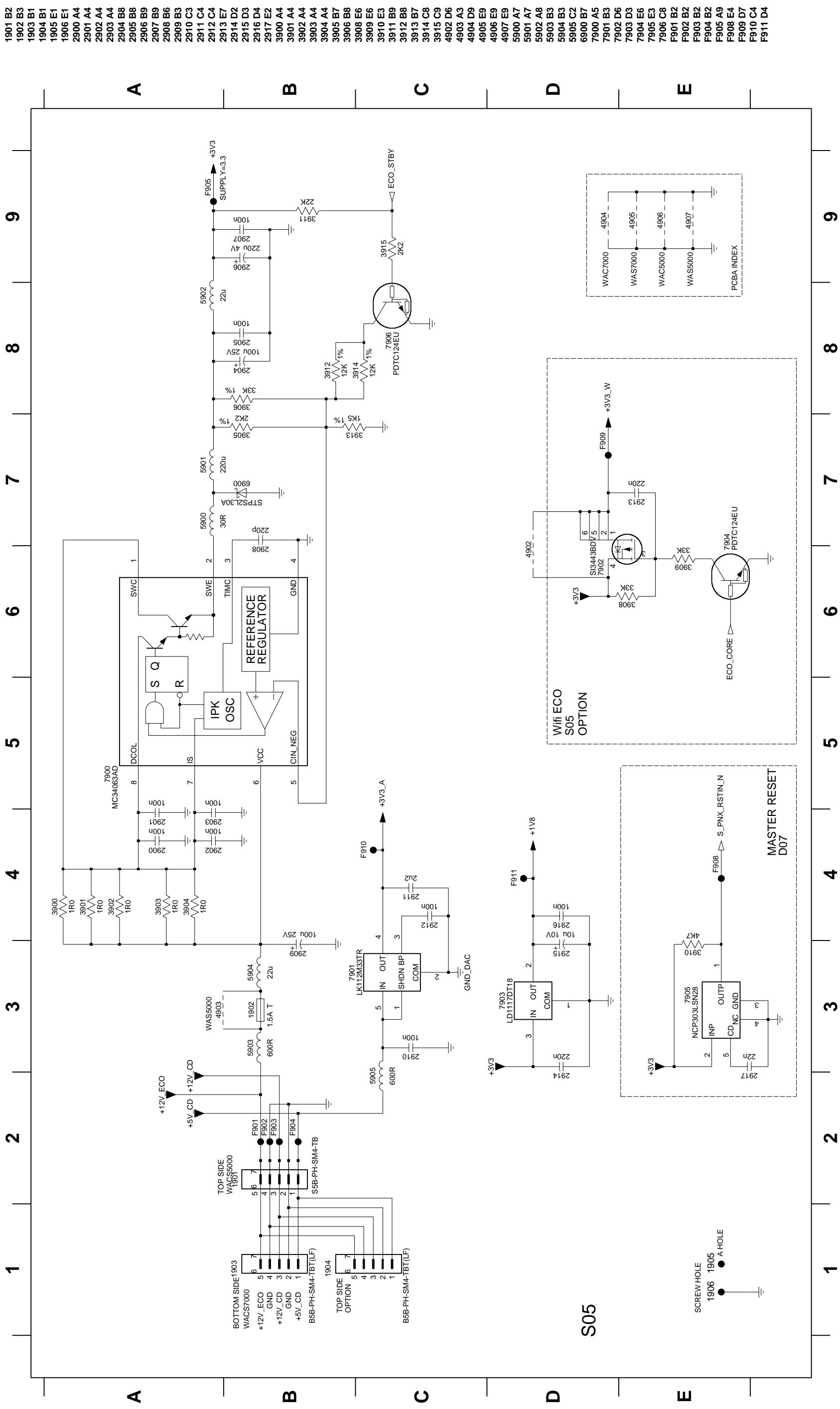


CIRCUIT DIAGRAM - Part 8



PLD

CIRCUIT DIAGRAM - Part 9

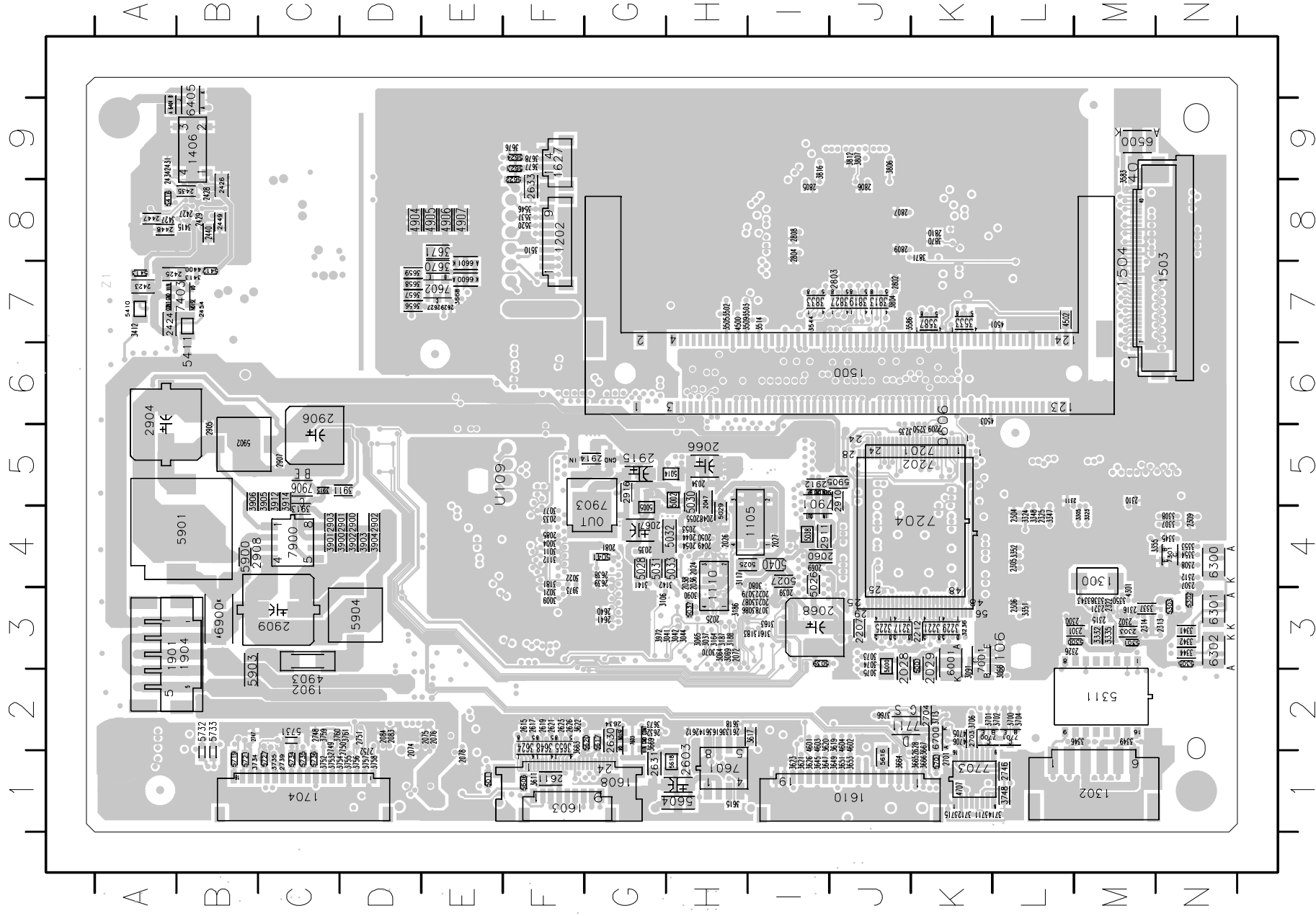


SUPPLY

- 1901 B2
- 1902 B3
- 1903 B1
- 1904 B1
- 1905 E1
- 1906 E1
- 2900 A4
- 2901 A4
- 2902 A4
- 2903 A4
- 2904 B8
- 2905 B8
- 2906 B9
- 2907 B9
- 2908 B6
- 2909 B3
- 2910 C3
- 2911 C4
- 2912 C4
- 2913 E7
- 2914 D2
- 2915 D3
- 2916 D4
- 2917 E2
- 3900 A4
- 3901 A4
- 3902 A4
- 3903 A4
- 3904 A4
- 3905 B7
- 3906 B8
- 3908 E6
- 3909 E6
- 3910 E3
- 3911 B9
- 3912 B8
- 3913 B7
- 3914 C8
- 3915 C9
- 4902 D6
- 4903 A3
- 4904 D9
- 4905 E9
- 4906 E9
- 4907 E9
- 5900 A7
- 5901 A7
- 5902 A8
- 5903 B3
- 5904 B3
- 5905 C2
- 6900 B7
- 7900 A5
- 7901 B3
- 7902 D6
- 7903 D3
- 7904 E6
- 7905 E3
- 7906 C8
- F901 B2
- F902 B2
- F903 B2
- F904 B2
- F905 A9
- F908 E4
- F909 D7
- F910 C4
- F911 D4

LAYOUT DIAGRAM (side A)

16 - 12



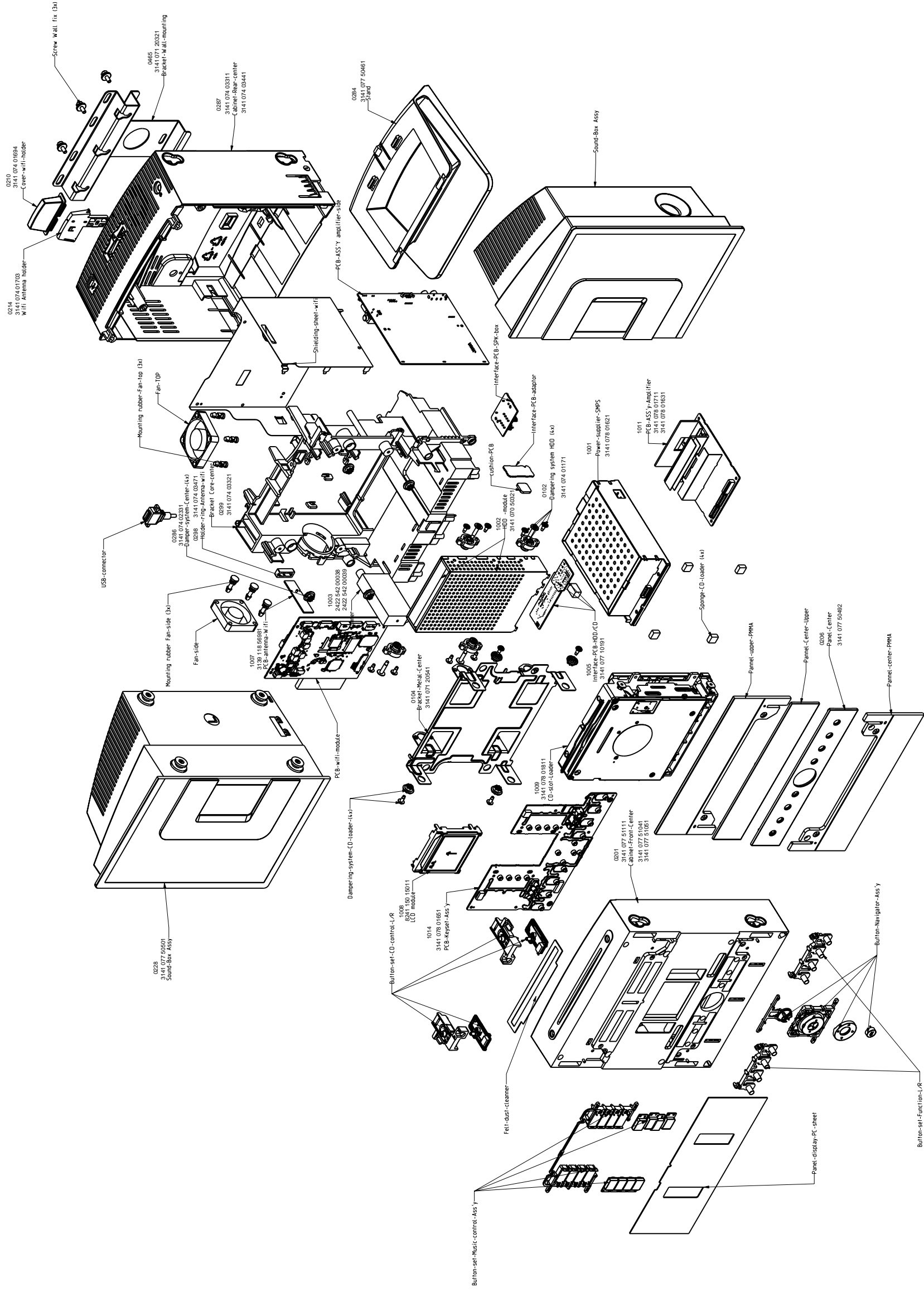
16 - 12

A 16 - 12
B 16 - 12
C 16 - 12
D 16 - 12
E 16 - 12
F 16 - 12
G 16 - 12
H 16 - 12
I 16 - 12
J 16 - 12
K 16 - 12
L 16 - 12
M 16 - 12
N 16 - 12
1 16 - 12
2 16 - 12
3 16 - 12
4 16 - 12
5 16 - 12
6 16 - 12
7 16 - 12
8 16 - 12
9 16 - 12

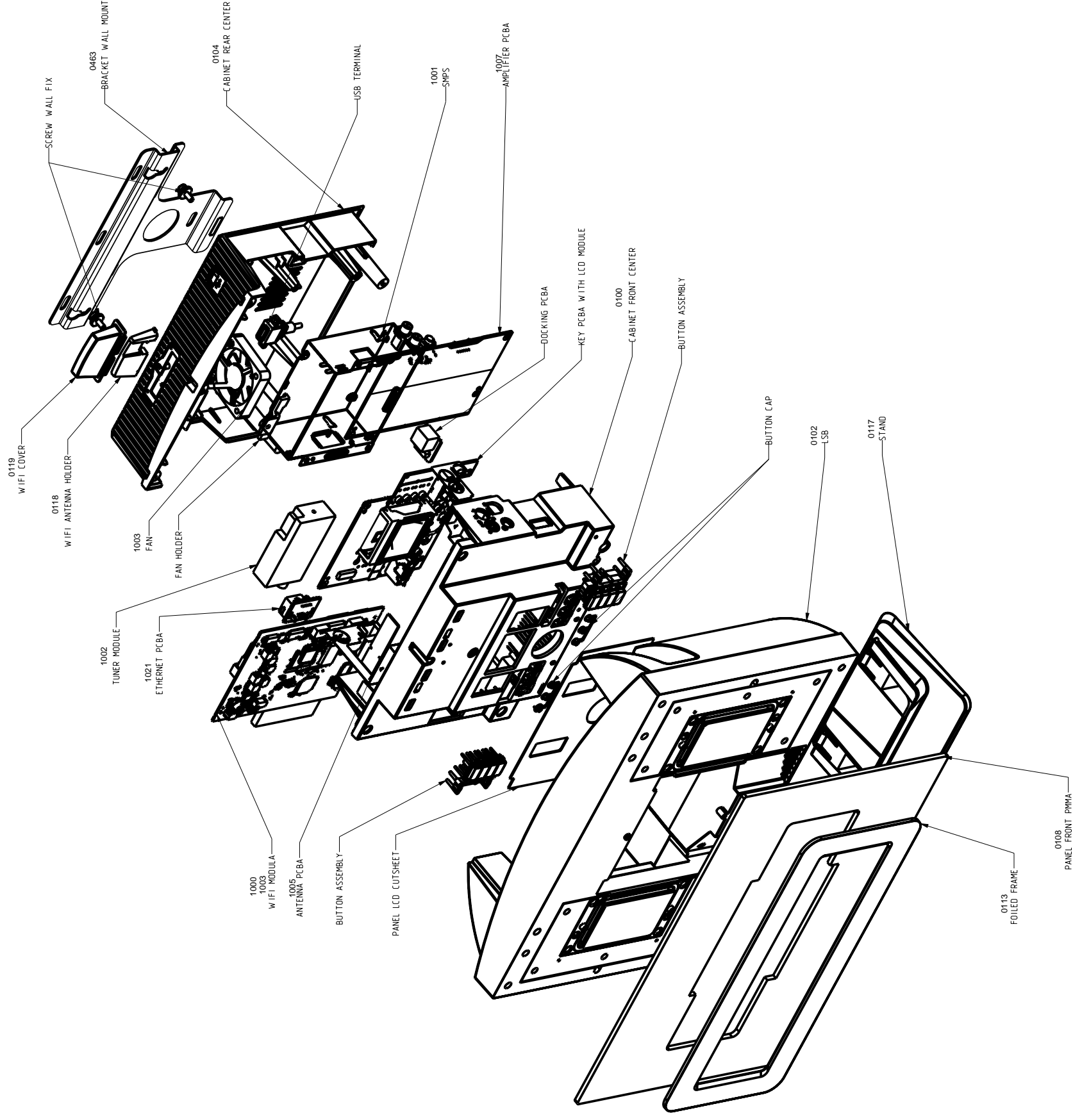
EXPLODED VIEW DIAGRAM (waC7000)

17 - 1

17 - 1



EXPLODED VIEW DIAGRAM (waS7000)



ACCESSORIES PARTS LIST

0456	2422 076 00687	ANT FM DIP SD-2380 B
0457	3141 078 70262	DVD ROM INSTALL SW WAC7000
0458	2422 076 00569	CBLE LAN 1M5 LAN RJ45 B
0460	3139 228 69151	PRODUCT ASSY RM20008/01 PACKED
0461	3139 238 13751	PROD ASSY RC19336006/01 PKD
0463	3141 071 20362	WALL MOUNT BRACKET WAS700
0465	3141 071 20321	W/M BKT WAC700

WAS7000 MECHANICAL & ELECTRICAL PARTS LIST

0100	3141 077 51001	CAB F. CENTER ASSY WAS7000/12(ALL EXCEPT /37)
0100	3141 077 51011	CAB F. CENTER ASSY WAS7000/37 (/37)
0102	3141 078 50161	BOX SPK ASSY WAS7000
0104	3141 077 51021	CAB R. CENTER ASSY WAS7000/12(ALL EXCEPT /37)
0104	3141 077 51031	CAB R. CENTER ASSY WAS7000/37 (/37)
0117	3141 077 50551	STAND ASSY WA10/22
0118	3141 074 01703	BRACKET ANTENNA WJ10/22
0119	3141 074 01694	COVER ANTENNA WJ10/22
0108	3141 073 20522	PANEL FRONT WAS7000/12 (/12)
0108	3141 073 20532	PANEL FRONT WAS7000/55 (ALL EXCEPT /12)
0113	3141 077 50611	PANNEL FRAME PRE-ASSY WA10/22
1000	3141 078 01481	PBAS WessLi-06 (WAS-7K_EU_RDS)(ALL EXCEPT /37)
1000	3141 078 02031	PBAS WessLi-06 (WAS-7K_USA) (/37)
1003	2822 065 01728	WMOD WIFIG MPC1 MP-G-BR-05 Y
1001	△ 3141 078 01731	MODULE SMPS WAS7000
1002	2422 542 00038	TUN A+F ENG07815QF EUR B (ALL EXCEPT /37)
1002	2422 542 00039	TUN FM ENG06814QF USA B (/37)
1003	2822 031 00029	FAN 12VDC 1.08W 3300RPM B
1004	2422 076 00717	ANT WIFI 2450MHZ 50R Y
1005	3139 118 56981	PCBAS ANTENNA MC-i250/37 (ALL)
1006	2722 171 00447	LCD MODULE PCE2034-02 (VARI) Y
1007	3141 078 01741	PBAS 5 - AF WAS7000/RDS (ALL EXCEPT /37)
1007	3141 078 01751	PBAS 5 - AF WAS7000/NON RDS (/37)
1009	3141 078 02141	PBAS 8 - IPOD INT. WAS7000
1020	3141 078 01771	PBAS 6 - KEYS & RC WAS7000
1021	3141 078 01761	PBAS 9 - Ethernet WAS7000
8000	3139 111 04471	FFC FOIL 10P/180/10P BD
8001	3141 070 21361	FFC FOIL 18P/140/18P AD 1MMP
8004	3141 070 21371	FFC FOIL 15P/140/15P BD 1MMP
8005	3141 070 20701	CBLE CRC 1P/280/1P CRC F-MF
8008	△ 2422 070 98233	MAINSCORD AUS 7A5 1M8 VH BK B (/79)
8008	△ 2422 070 98236	MAINSCORD UK 5A 1M8 VH BK B (/05)
8008	△ 2422 070 98231	MAINSCORD IEC 2A5 1M8 VH BK B (/12/97)
8008	△ 2422 070 98235	MAINSCORD UL 6A 1M8 VH BK B (/37)
8011	3139 111 02321	FFC FOIL 11P/220/11P BD 1MMP

WAC7000 MECHANICAL & ELECTRICAL PARTS LIST

0102	3141 074 01172	DAMPER HDD DRIVER WJ10
0108	3141 074 03351	BUTTON EJECT WAC7000
0115	3141 074 03601	RUBBER STOPPER WAC7000
0116	3141 074 03611	BRUBBER STOPPER WAC7000
0121	3141 071 20581	SHIELDING BOX HDD WAC7000
0201	3141 077 51111	CAB F. CENTER ASSY WAC7000/55 (/05/79/97)
0201	3141 077 51041	CAB F. PRE-ASSY WAC7000/12 (/12)
0201	3141 077 51051	CAB F. PRE-ASSY WAC7000/37 (/37)
0208	3141 073 20541	COVER FNT GEN BTM WAC7000
0210	3141 074 01694	COVER ANTENNA WJ10/22
0213	3141 074 01372	COVER MAINS CORD WJ10/22
0214	3141 074 01703	BRACKET ANTENNA WJ10/22
0227	3141 074 01215	COVER LSB WJ10/22
0200	3141 077 51131	BRACKET CORE ASSY WAC7000

WAC7000 MECHNICAL & ELECTRICAL PARTS LIST

0228	3141 077 50501	LSB BOX PRE-ASSY WJ10/22
0232	3141 074 01583	COVER FNT CEN UPPER WJ10/22
0284	3141 077 50461	STAND CEN PRE-ASSY WJ10/22
0285	3141 074 01841	FOOT RUBBER WAC5
0286	3141 074 02331	DAMPER BRACKET MOUNT WAC5
0287	3141 074 03312	CABINET REAR C WAC7000 (ALL EXCEPT /37)
0287	3141 074 03442	CABINET REAR C WAC7000/37 (/37)
0289	3141 077 51151	PANEL C BTM PRE-ASSY WAC7000
0295	3141 074 03641	PANEL LSB WAC7000
0209	3141 073 20512	PANEL DISPLAY WAC7000
0206	3141 077 51161	PANEL C UP PRE-ASSY WAC7000
0200	3141 077 51131	BRACKET CORE ASSY WAC7000
0300	3141 077 51061	STANDBY PRE-ASSY WAC7000
1000	3141 078 01691	PBAS HasLi-06 (WAC-7K_EU_RDS)(ALL EXCEPT /37)
1000	3141 078 01911	PBAS HasLi-06 (WAC-7K_USA) (/37)
1002	3141 070 50391	PRG.ASSY HDD WAC-5000 V1856
1003	2822 065 01728	WMOD WIFIG MPC1 MP-G-BR-05 Y
1005	3141 077 10191	PBAS - ATA-MS/SL/PW Int. (PH)
1001	△ 3141 078 01621	MOD SMPS WAC-7000 (120 / 230V)
1002	3141 078 00281	MODULE AMP - HAS 4ch (40W)
1003	2422 542 00038	TUN A+F ENG07815QF EUR B (ALL EXCEPT /37)
1003	2422 542 00039	TUN FM ENG06814QF USA B (/37)
1004	2822 031 00029	FAN 12VDC 1.08W 3300RPM B
1005	2822 031 00054	FAN 12VDC 0.5W 3700RPM B
1006	2422 076 00717	ANT WIFI 2450MHZ 50R Y
1007	3139 118 56981	PCBAS ANTENNA MC-i250
1008	2722 171 00446	LCD MODULE COF-PCE2033-03 Y
1009	3141 078 01811	MODULE DVD-Slotloader 2006
1011	3141 078 01711	PBAS 5 - AF (W/O RDS) WAC7000 (/05/37)
1011	3141 078 01631	PBAS 5 - AF (RDS) WAC7000 (ALL EXCEPT /37)
1012	3141 078 01641	PBAS 9 - AMP SOCKET WAC7000
1014	3141 078 01651	PBAS 6 - KEYS & RC WAC7000
1015	3141 078 01661	PBAS 7 - STBY KEY WAC7000
1016	3141 078 01671	PBAS 8 - EJECT KEY WAC7000
1017	3141 077 10211	PBAS-ATA-SL/PW I/F (PH)
1019	3141 078 01821	PBAS 4 - KEY-LCD-CON. WAC7000
8001	3141 070 20541	FFC FOIL 05P/100/05P BD 1.25mm
8002	3141 070 21451	FFC 15P/340/15P AD 1MM FOLD
8003	3141 070 21421	FFC 09P/220/09P BD 1MM FOLD
8004	3141 070 21471	FFC 10P/520/10P BD 1.25MM FOLD
8005	3141 070 21401	FFC 13P/180/13P AD 1.25MM FOLD
8006	3141 070 21431	FFC 15P/280/15P BD 1MM FOLD
8007	3141 070 21381	FFC 05P/340/05P BD 1.25MM FOLD
8008	3141 070 21391	FFC 18P/140/18P AD 1MM FOLD
8011	3141 070 21291	FFC FOIL 40P/110/40P BD 0.5MMP
8013	3141 070 21291	FFC FOIL 40P/110/40P BD 0.5MMP
8017	3141 070 21461	FFC 19P/460/19P AD 1MM FOLD
8018	3141 070 20701	CBLE CRC 1P/280/1P CRC F-MF
8021	3141 070 21411	FFC 11P/140/11P BD 1MM FOLD
8025	△ 2422 070 98236	MAINSCORD UK 5A 1M8 VH BK B (/05)
8025	△ 2422 070 98231	MAINSCORD IEC 2A5 1M8 VH BK B (/12/97)
8025	△ 2422 070 98235	MAINSCORD UL 6A 1M8 VH BK B (/37)
8025	△ 2422 070 98233	MAINSCORD AUS 7A5 1M8 VH BK B
8026	3141 070 21441	FFC 12P/340/12P BD 1.25MM FOLD

Note: Only these parts mentioned in the list are normal service parts.

REVISION LIST

Version 1.0 (3141 785 31350)

- - Draft release

Version 1.1 (3141 785 31351)

- - Update partlist